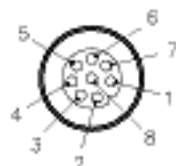
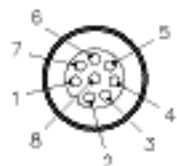


FEMALE END VIEW



- 1 = WHITE
- 2 = BROWN
- 3 = GREEN
- 4 = YELLOW
- 5 = GREY
- 6 = PINK
- 7 = BLUE
- 8 = RED

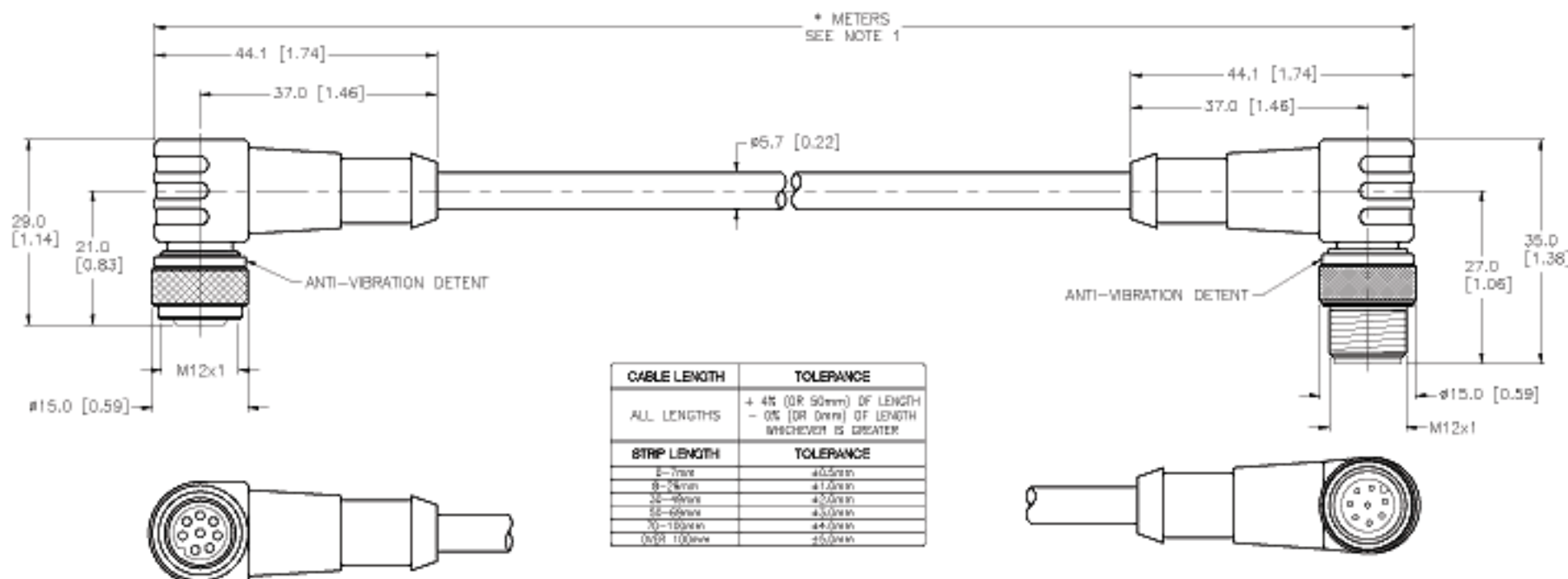
MALE END VIEW



- 1 = WHITE
- 2 = BROWN
- 3 = GREEN
- 4 = YELLOW
- 5 = GREY
- 6 = PINK
- 7 = BLUE
- 8 = RED

SPECIFICATIONS

CONTACT CARRIER MATERIAL/COLOR	NYLON OR PUR/BLACK
MOLDED HEAD MATERIAL/COLOR	THERMOPLASTIC PUR/YELLOW
CONTACT MATERIAL/PLATING	BRASS/GOLD
COUPLING NUT MATERIAL/PLATING	BRASS/NICKEL
RATED CURRENT [A]	2.0 A
RATED VOLTAGE [V]	60 VAC/75 VDC
OUTER CABLE JACKET MATERIAL/COLOR	PUR/GRAY
CONDUCTOR INSULATION MATERIAL	PVC
NUMBER OF CONDUCTORS [AWG]	8x24 AWG
TEMPERATURE RANGE	-40°C to +90°C (-40°F to +184°F)
PROTECTION CLASS	MEETS NEMA 1,3,4,6P AND IEC IP6B



CABLE LENGTH	TOLERANCE
ALL LENGTHS	+ 4% (OR 90mm) OF LENGTH - 0% (OR 0mm) OF LENGTH WHICHEVER IS GREATER
STRIP LENGTH	TOLERANCE
5-7mm	±0.5mm
8-24mm	±1.0mm
25-40mm	±0.5mm
41-60mm	±0.5mm
70-100mm	±0.5mm
OVER 100mm	±0.5mm

SOURCE DRAWING - FOR REFERENCE ONLY

- NOTES:
1. "*" INDICATES CABLE LENGTH IN METERS. CONTACT TURCK TO ORDER SPECIFIC LENGTHS.
 2. "/S90" DESIGNATES POLYURETHANE (PUR) CABLE.

RELATED DOCUMENTS 1. 2. 3. 4.	3RD ANGLE PROJECTION 	THIS DRAWING IS PROPERTY OF TURCK INC. USE OF THIS DOCUMENT WITHOUT WRITTEN PERMISSION IS PROHIBITED.		 High Technology Sensors and Automation Controls	
	MATERIAL SEE SPECIFICATIONS	TOLERANCES UNLESS OTHERWISE SPECIFIED 0.5 TO 6 ±0.1 6 TO 30 ±0.2 30 TO 200 ±0.3 OVER 200 ±0.4 ANGLES ±1° ALL INCH DIMENSIONS ARE REFERENCE ONLY	DRFT RWC		
FRESH SEE SPECIFICATIONS	UNIT OF MEASUREMENT MILLIMETER [INCH]	OSDR	SCALE 1=1.0	IDENTIFICATION NO.	REV A
A DRAWING RELEASE	RWC 07/26/07	DO NOT SCALE THIS DRAWING		FILE: 777D18457	SHEET 1 OF 1
REV DESCRIPTION	BY DATE EDD NO.				