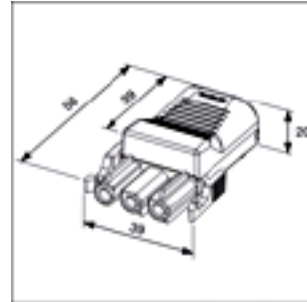


### 3-pole socket with strain-relief

For flexible and rigid wires. In connection with flexible wires use of ferrules is recommended.  
Wire cross-section: 0.75-2.5 mm<sup>2</sup>. Strain-relief for cables with outer diameter of 6.6-12.0 mm.



EAN	Art.No	Description	Colour	Pole markings
6418677109072	NAC 32S.W	Socket	White	1,PE,N