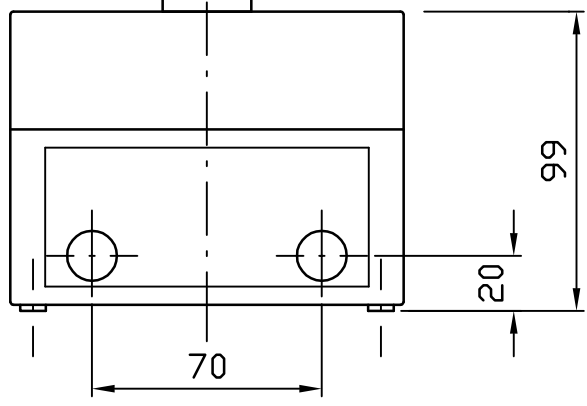
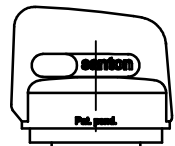
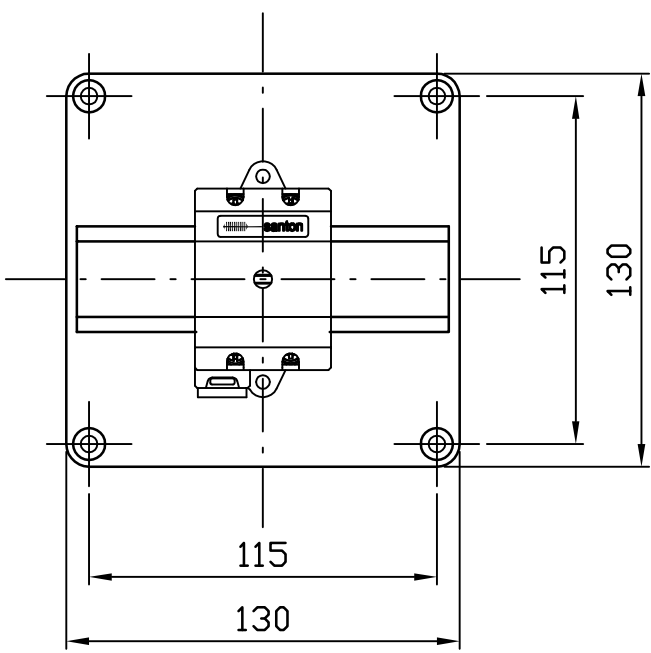
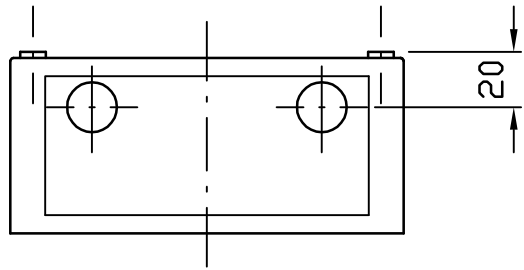
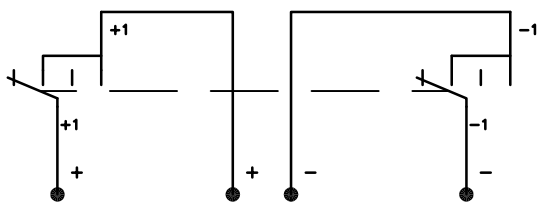


Copyright © Copying of this document, third party distribution or use for manufacturing is strictly forbidden without written permission. All rights and know-how contained herein are explicitly reserved by Santon GmbH.

POSITION OF HANDLE	0	OFF
1	1	+1--1
		-1--1
0	0	OFF
1	1	+1--1
		-1--1



Ith	Ie	Ue
16A		
	16A	600V DC21



B			
A			
Änd.		Gez.	Datum

SANTON TYPENR. X60.16B2//D-R

Get. C.Z.	Datum: 04-01-2010	Gez.
-----------	-------------------	------

	Santon International bv Hekendorpstraat 69 3079 DX Rotterdam Holland	Tel. +31 (0)10 283 26 00 Fax +31 (0)10 429 45 46 info@santon.nl www.santonswitchgear.com	Computer nr. 80132
--	---	---	------------------------------