



ENGLISH

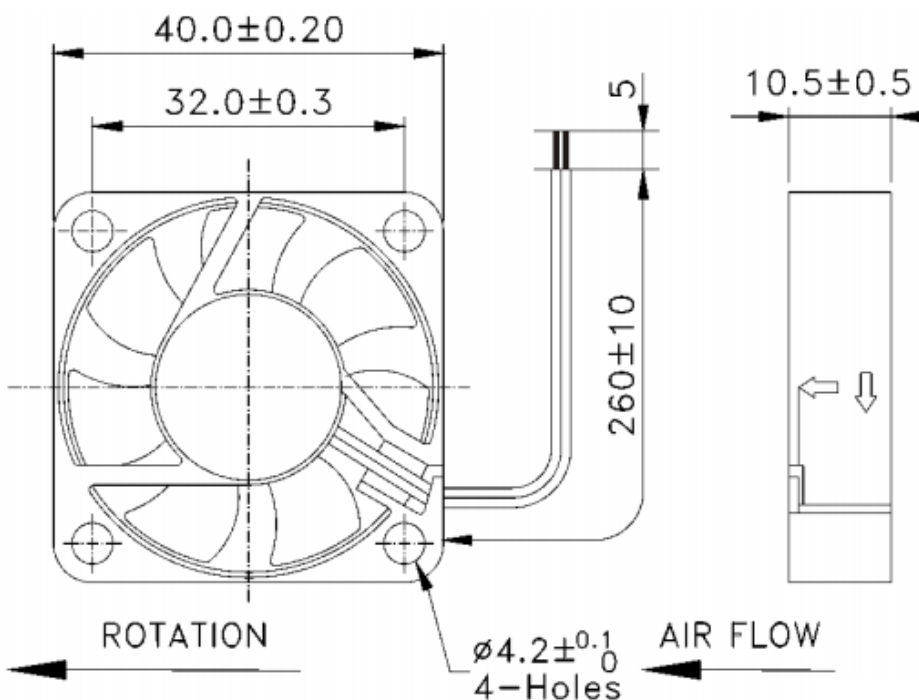
Datasheet

DC Axial Fan, 40 x 40 x 10mm, 11.4m³/h, 1.2W, 12 V dc (OD4010 Series)

RS Stock 668-8808



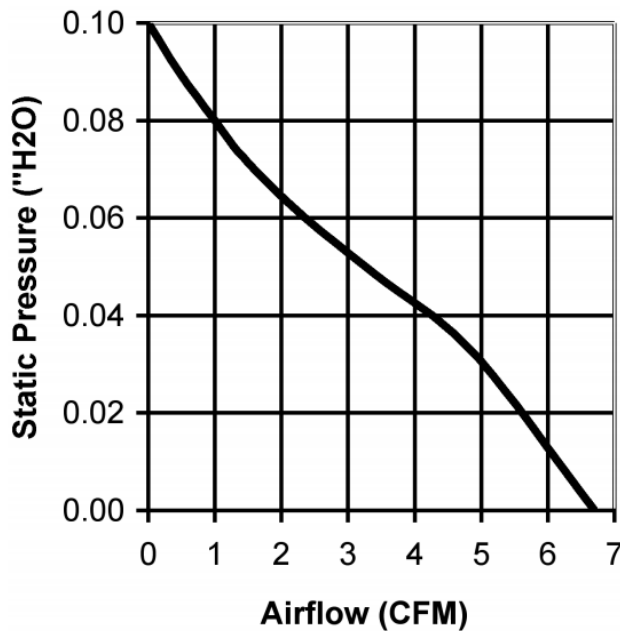
Dimensions: (mm)





Specifications

- Available Options: Sleeve Bearing / Ball Bearing /Tachometer / Alarm /5V
- Life Expectancy (L10) : 50,000+ hrs
- Operating Temperature : -10 ~ 70C
- Frame & Impeller PBT, UL94V-O plastic
- Connection 2x Lead wires 26AWG red(+) black (GND)
- Motor Brushless DC, auto restart, impedance and polarity protected
- Bearing System Sealed Sleeve
- Insulation Resistance 10M ohm between leadwire and frame (500VDC)
- Dielectric Strength 1 second at 500 VAC, max leakage - 500 MicroAmp
- Storage Temperature -30C ~ +90C



RS Order Number	6688808	6688801
Model Number	OD4010-12HSS	OD4010-24HSS
Part Number	141143001	141243001
Nominal Voltage	12 VDC	24 VDC
Nominal Current	0.10A	0.09A
Rated Power	1.2W	1.4W
Rated Speed (RPM)	6000	6000
Airflow (CFM)	6.7	6.7
Noise Level (dB)	25	25
Max. Static Pressure	0.10\" H2O	0.10\" H2O