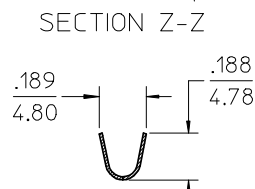
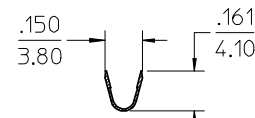
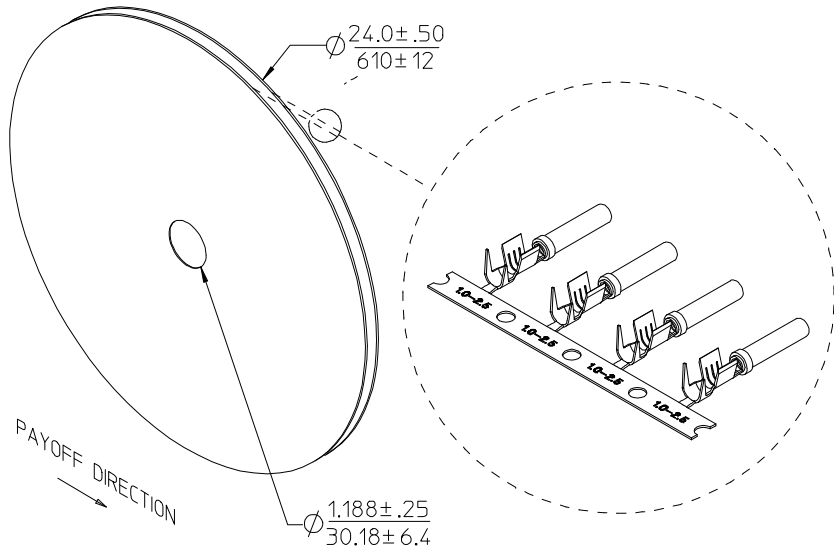
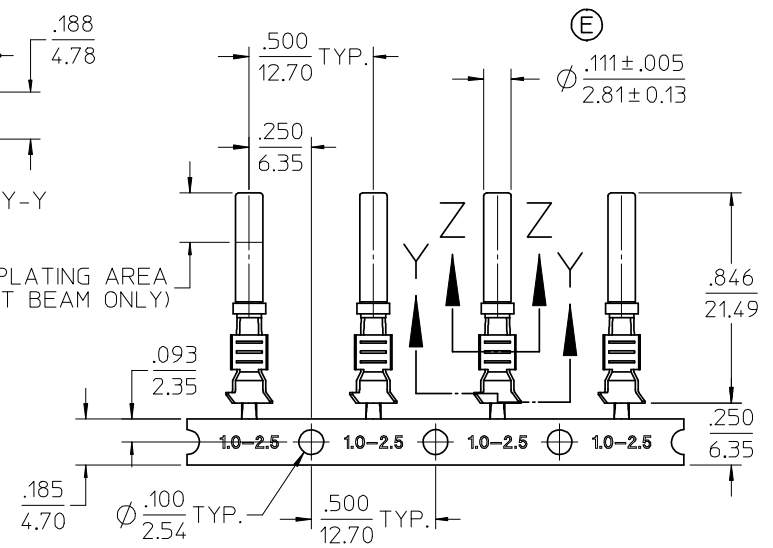


(E)	STRIP MATERIAL NUMBER	FINISH
	84590-0034	OVERALL NICKEL 80µ" MINIMUM



SELECT PLATING AREA (CONTACT BEAM ONLY)



- NOTES:
1. TERMINAL MATERIAL: COPPER ALLOY .0120/0.305 THICK. HOOD MATERIAL: STAINLESS STEEL, .008/0.20 THICK.
 2. FINISH: SEE CHART.
 3. STRIP TERMINALS ARE REELED AS SHOWN ABOVE, 3000 PARTS PER REEL.
 4. TERMINAL FOR USE WITH SERIES XRC CONNECTOR ASSEMBLIES.
 5. ALL DIMENSIONS ARE REFERENCE.
 6. ALL MATERIALS AND FINISHES ARE ROHS COMPLIANT.

WIRE INSULATION O.D. RANGE $\frac{.075-.150}{1.91-3.81}$

UPDATE NOTES & TABLE EC NO: WNA2008-0139 ITDRW:WLEUNG 2008/02/27 CHKD:RDEROSS 2008/04/21 APPR:RDEROSS 2008/04/24	DESCRIPTION REV	QUALITY SYMBOLS	GENERAL TOLERANCES (UNLESS SPECIFIED)	DIMENSION STYLE	SCALE	DESIGN UNITS	THIRD ANGLE PROJECTION
		$\nabla=0$ $\nabla=0$	mm INCH 4 PLACES ± --- ± --- 3 PLACES ± --- ± .010 2 PLACES ± 0.25 ± .02 1 PLACE ± 0.5 ± --- ANGULAR ± 1°	IN/MM DRAWN BY DATE RSTONE 10/19/04 CHECKED BY DATE GROBERTSON 10/20/04 APPROVED BY DATE LROTHAUS 10/21/04	2:1	INCH	THIRD ANGLE PROJECTION
		DRAFT WHERE APPLICABLE MUST REMAIN WITHIN DIMENSIONS	SEE CHART	MATERIAL NO. SD-84590-008	SHEET NO. 1 OF 1		
		THIS DRAWING CONTAINS INFORMATION THAT IS PROPRIETARY TO MOLEX INCORPORATED AND SHOULD NOT BE USED WITHOUT WRITTEN PERMISSION					

TITLE
**CONTACT SOCKET (HOODED),
 14-18 AWG
 (1.0-2.5 MM SQ.)**

MOLEX INCORPORATED