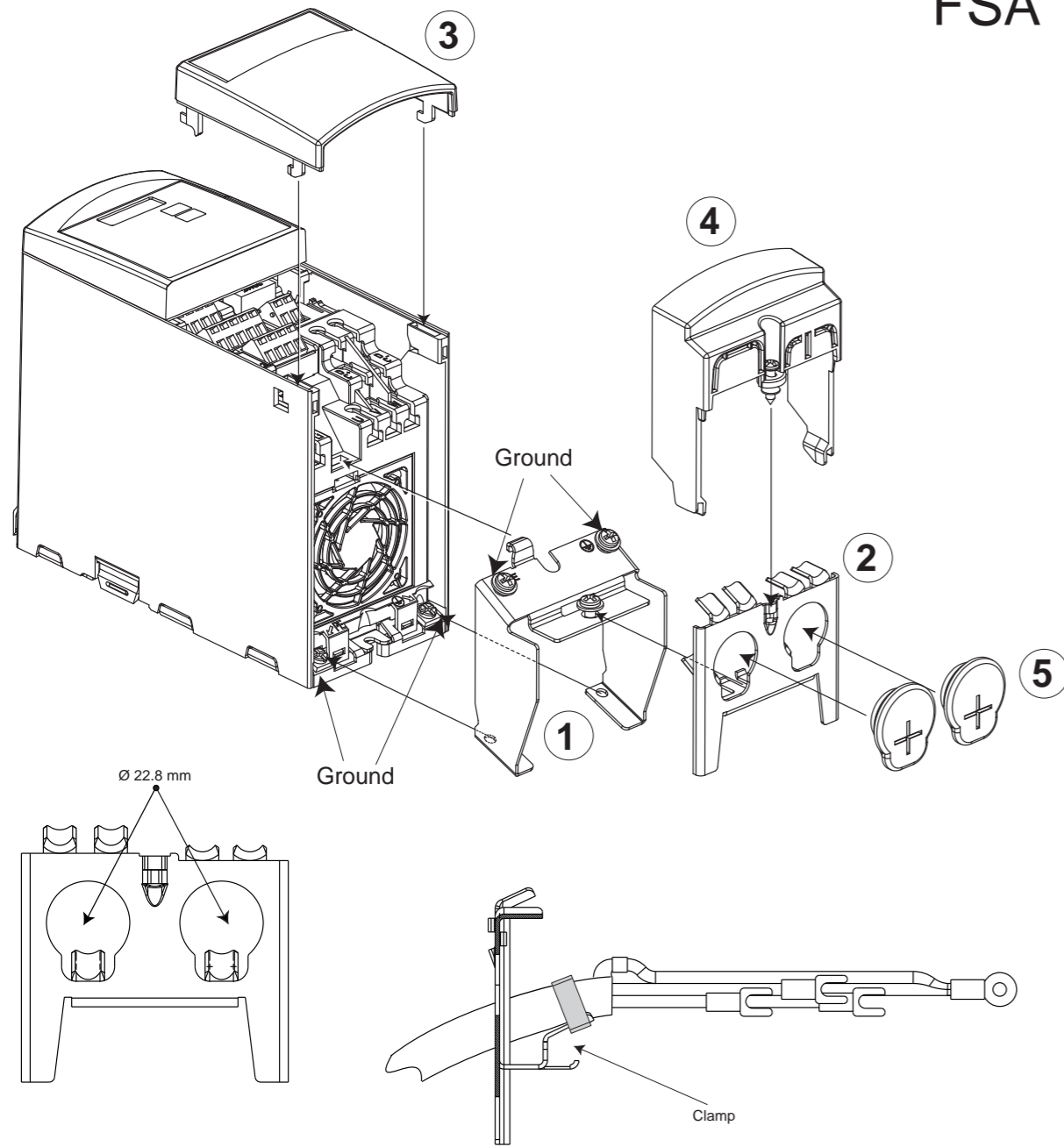


Gland Plate Installation Instructions

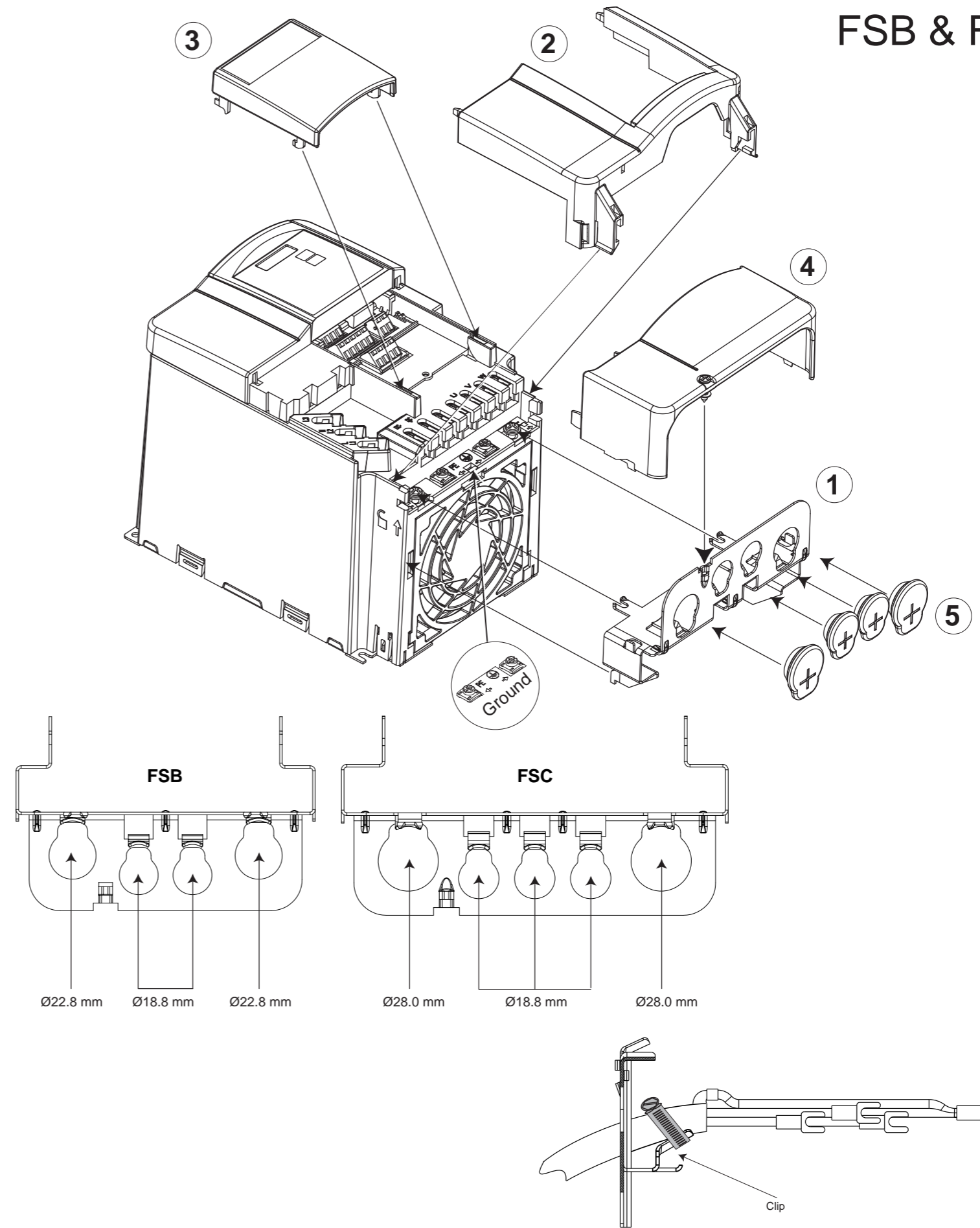
FSA

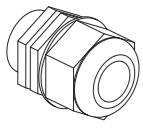


CAUTION

- 1. Bonding between conduit connections is not automatic and must be provided as a part of the installation.
- 2. The Earth bonding conductor must be equal or greater in cross-section to the power supply cable.

FSB & FSC



	Metric	NPT	PG
Ø 18.8 mm	M16x1.5	3/8 Inch	11
Ø 22.8 mm	M25x1.5	1/2 Inch – 16	16
Ø 28.0 mm	M25x1.5	3/4 Inch	16

Wire Size and Terminal Torques - Field Wiring Connectors

Frame Size	A	B	C
Tightening Torque (Nm)	1.1	1.5	2.25
Tightening Torque (lbf.in)	10	13.3	20
Recommended Minimum Cable Cross Section (mm ²)	1	1.5	2.5
Maximum Cable Cross Section (mm ²)	2.5	6	10
Recommended Minimum Cable Cross Section (AWG)	18 AWG	16 AWG	14 AWG
Maximum Cable Cross Section (AWG)	14 AWG	10 AWG	8 AWG

Drawing Number:	G85139-K1792-U545-A1
Order Number:	6SE6400-5AS00-1AP0