

OccuSwitch

LRM1031 OS mov det switch 2 wire



A movement detector designed for corridors, stair cases and general areas. To be built into a standard UK installation box. Can switch up to 600VA. 2 wire connection.

Product data

• General Characteristics

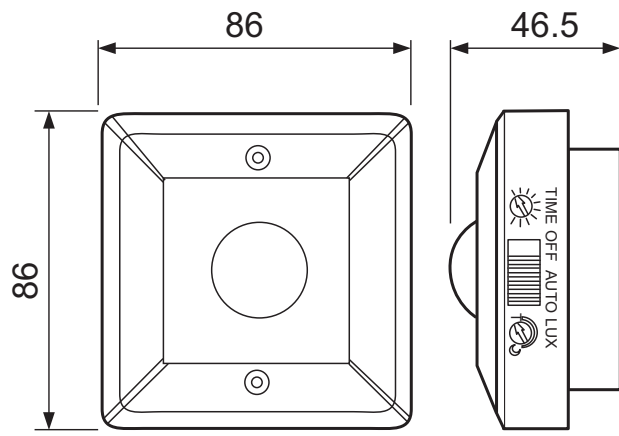
Design mov det switch 2 wire

• Product Data

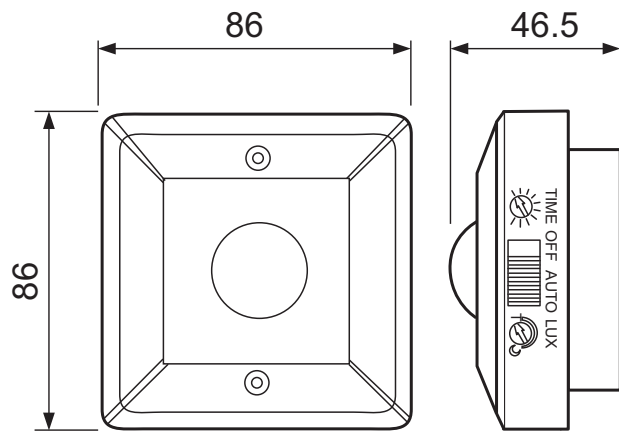
Order code 913700350603
Full product code 913700350603
Full product name LRM1031 OS mov det switch 2 wire
Order product name LRM1031 OS mov det switch 2 wire
Pieces per pack 1

Packing configuration 80
Packs per outerbox 80
Bar code on pack - EAN1 8718291225676
Bar code on outerbox - EAN3 8718291225683
Logistic code(s) - 12NC 913700350603
Net weight per piece 0.210 kg

Dimensional drawing



LRM1031 OS mov det switch 2 wire



LRM1031 OS mov det switch 2 wire



© 2013 Koninklijke Philips Electronics N.V.
All rights reserved.

Specifications are subject to change without notice. Trademarks are the property of Koninklijke Philips Electronics N.V. or their respective owners.

www.philips.com/lighting

2013, April 25
data subject to change