

For use with TO-18 packages

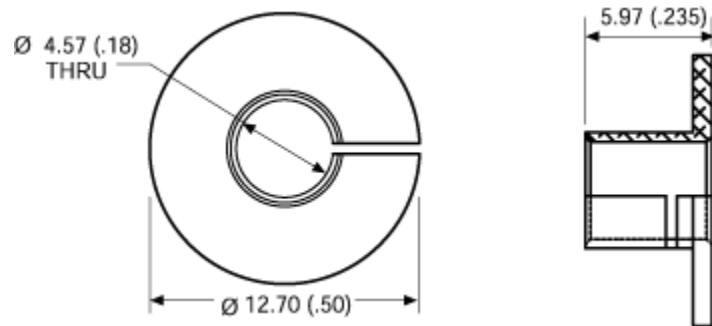
Part Number - 322400B00000G

RoHS 
 Compliant

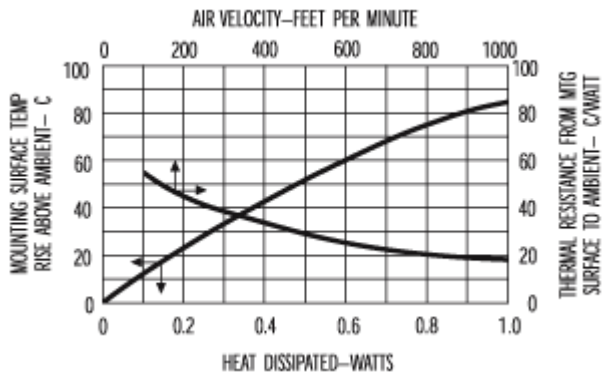
Product 
 Change
 Notice



Mechanical Outline Drawing



Thermal Curves



Thermal Resistance	100.00
--------------------	--------

Thermal resistance value is based on a 75°C rise in natural convection

Product Information

Part #	Description	Finish	Board Mounting
322400B00000G	Low cost push on heat sink	Black Anodize	N/A