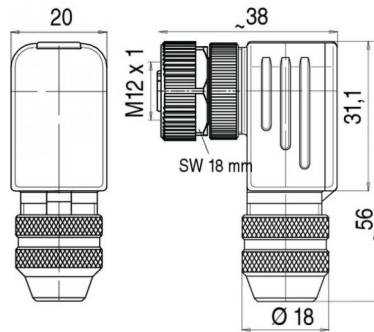


Product Area Female angled connector, shieldable, screw termination, version with shielding ring, with Diecasted Zinc Thread Ring M12 connectors A-Coding serie 713 5 Article number 99 1436 824 05

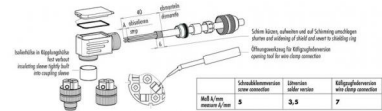
illustration



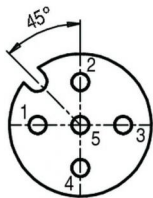
scale drawing



Item description



Contact Arrangement



	X	Y
1	-2,50	0,00
2	0,00	2,50
3	2,50	0,00
4	0,00	-2,50
5	0,00	0,00

Technical data

Common values

Connector Design	Female angled cable connector
Connector locking system	Screw-locking
Termination	screw
Wire gauge (mm)	0,75 mm ²
Wire gauge (AWG)	18
Upper temperature	+85 °C
Lower temperature	-25 °C

Material

Material of contact	CuZn (brass)
Contact plating	Au (gold)
Material of contact body	PA
Material of housing	zinc diecasting, nickel plated

Cable data

Contacts 5: cable outlet: 4-6 mm, Female angled connector, shieldable, screw termination, version with shielding ring, with Diecasted Zinc Thread Ring

Electrical values

Rated voltage	125 V
Rated impulse voltage	1500 V
Pollution degree	3
Overvoltage category	II
Material group	III
Rated current (40°C)	4 A
Volume resistivity	≤ 3 mΩ
Degree of protection	IP 67
Mechanical operation	>100 mating cycles

