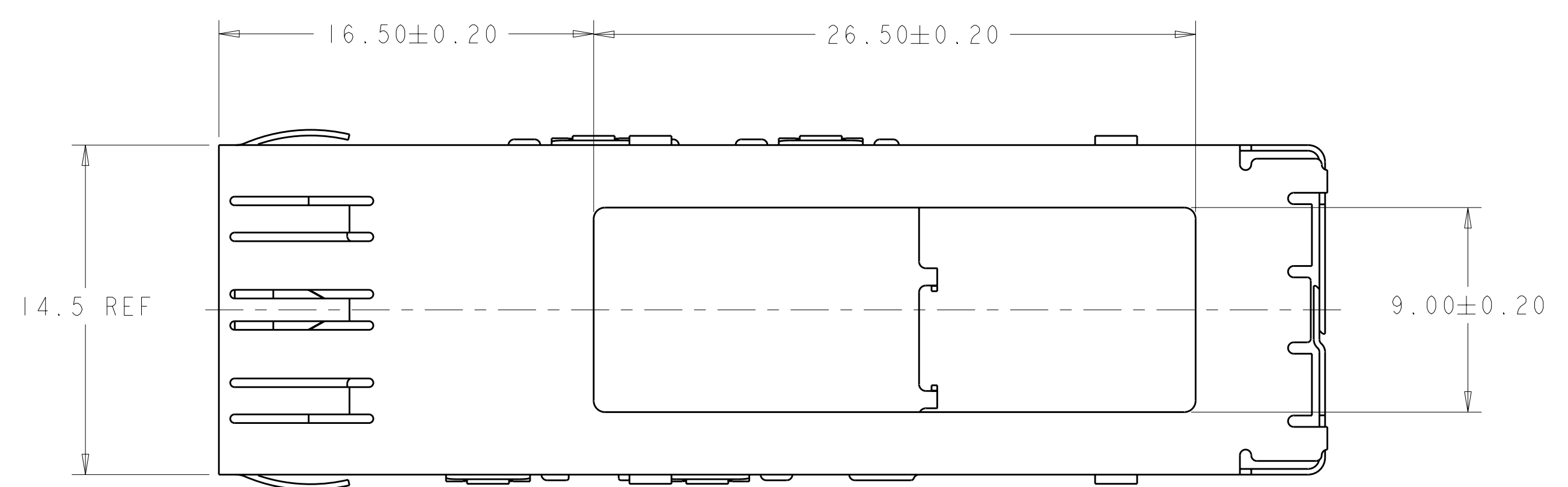
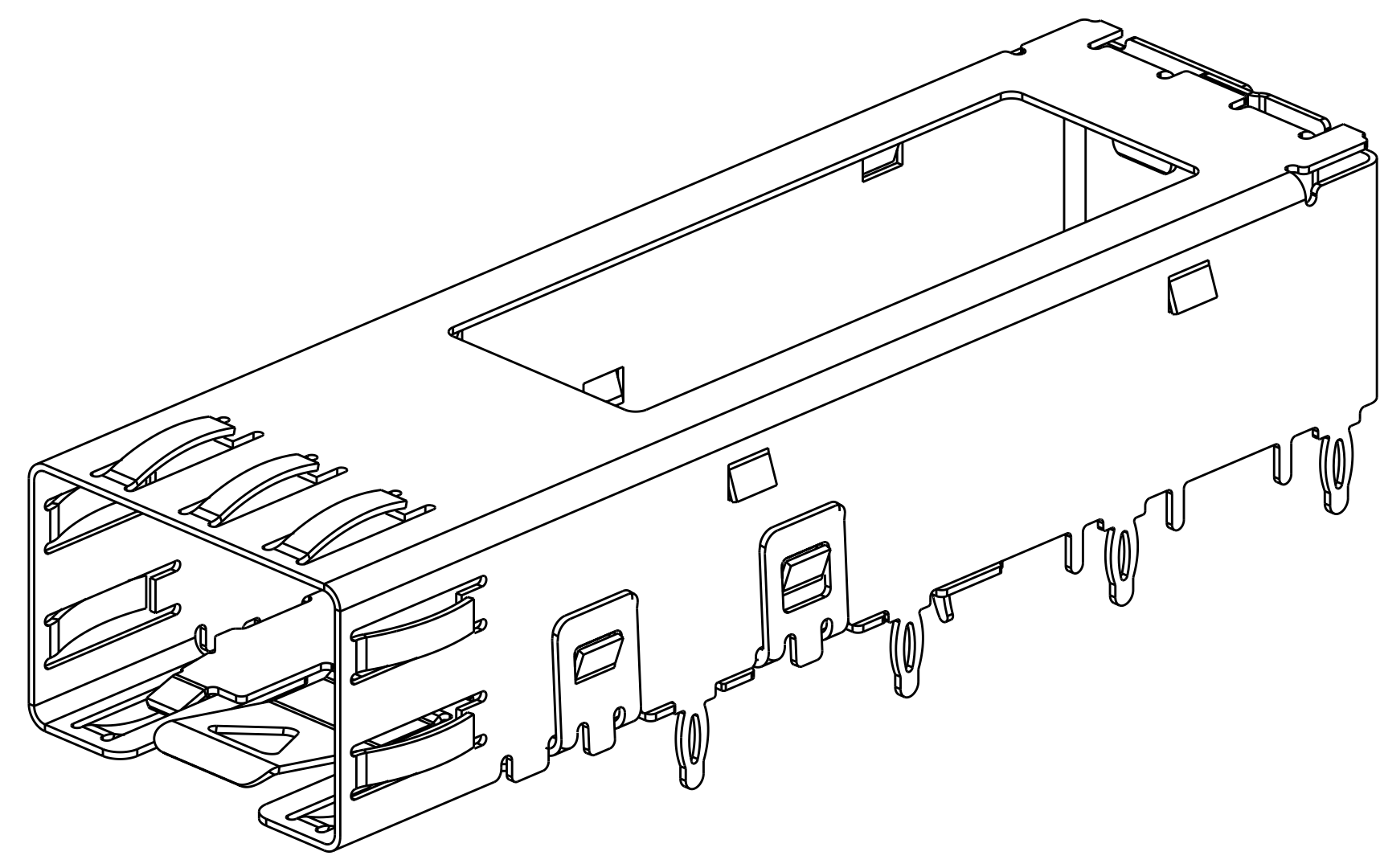
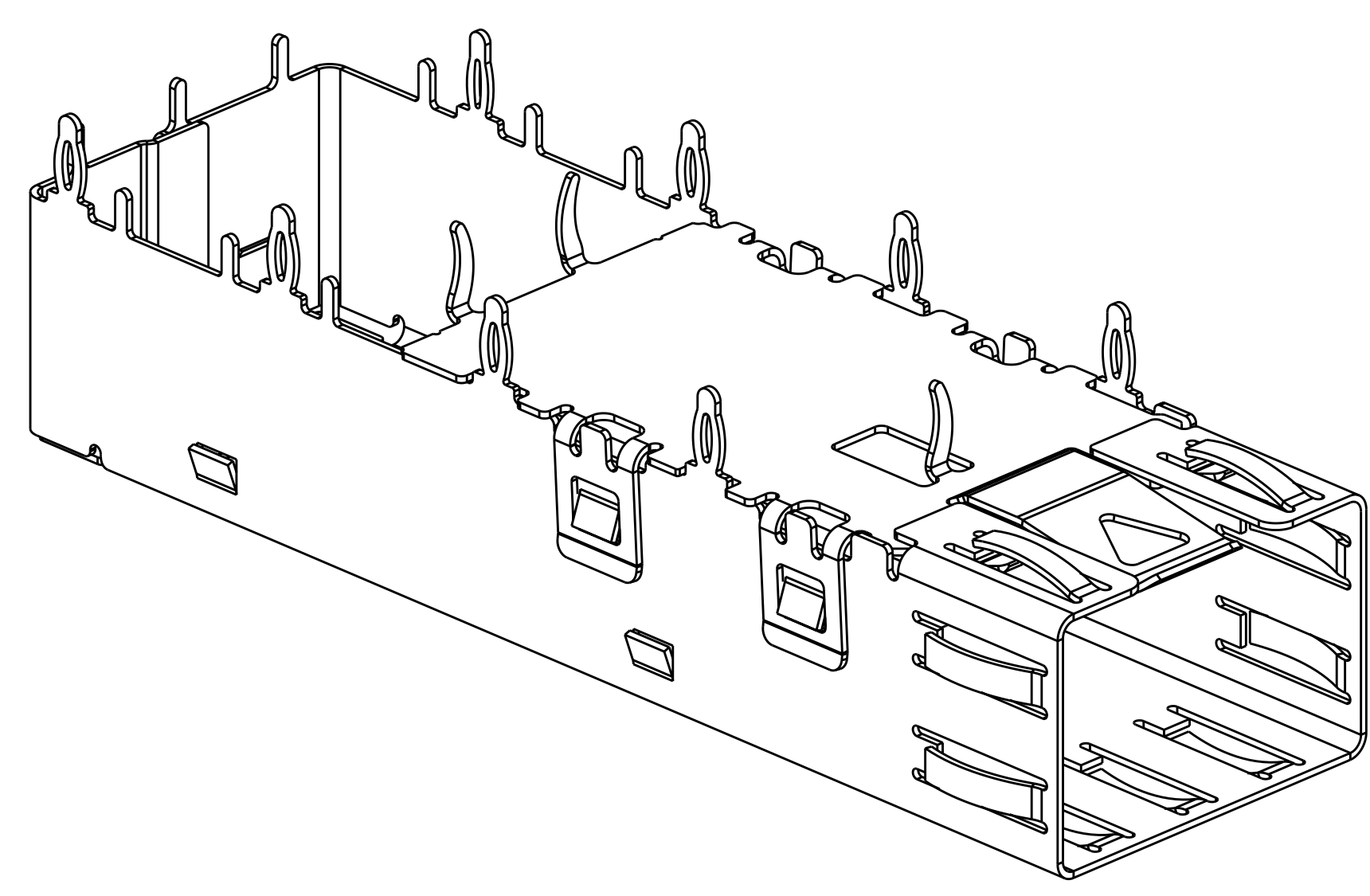
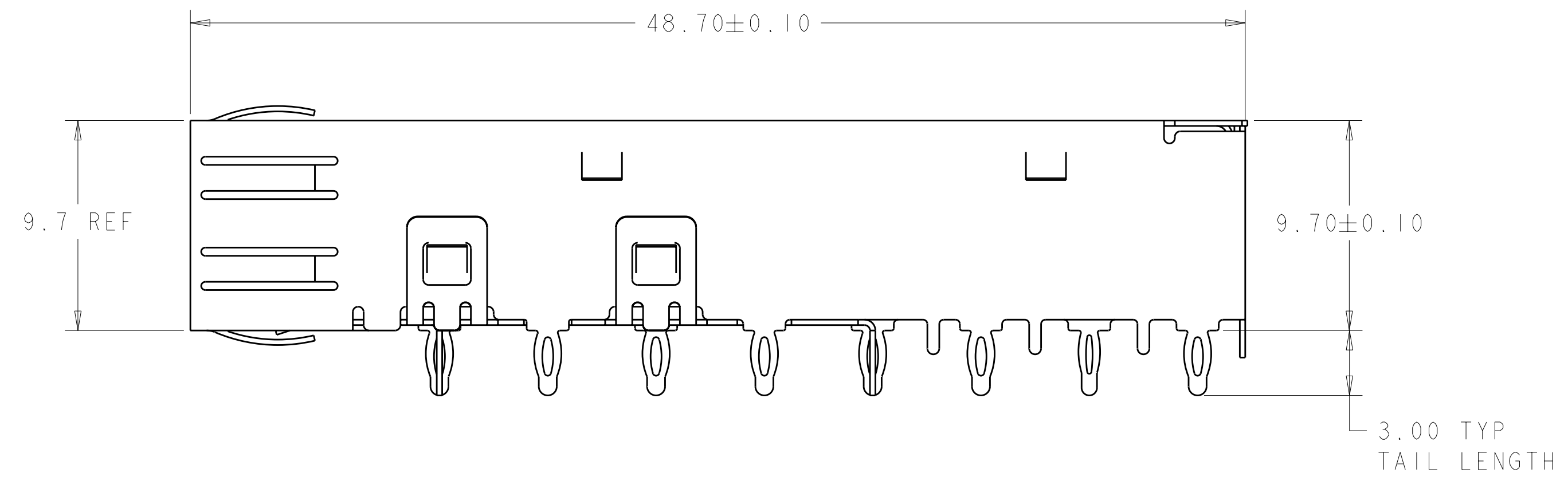
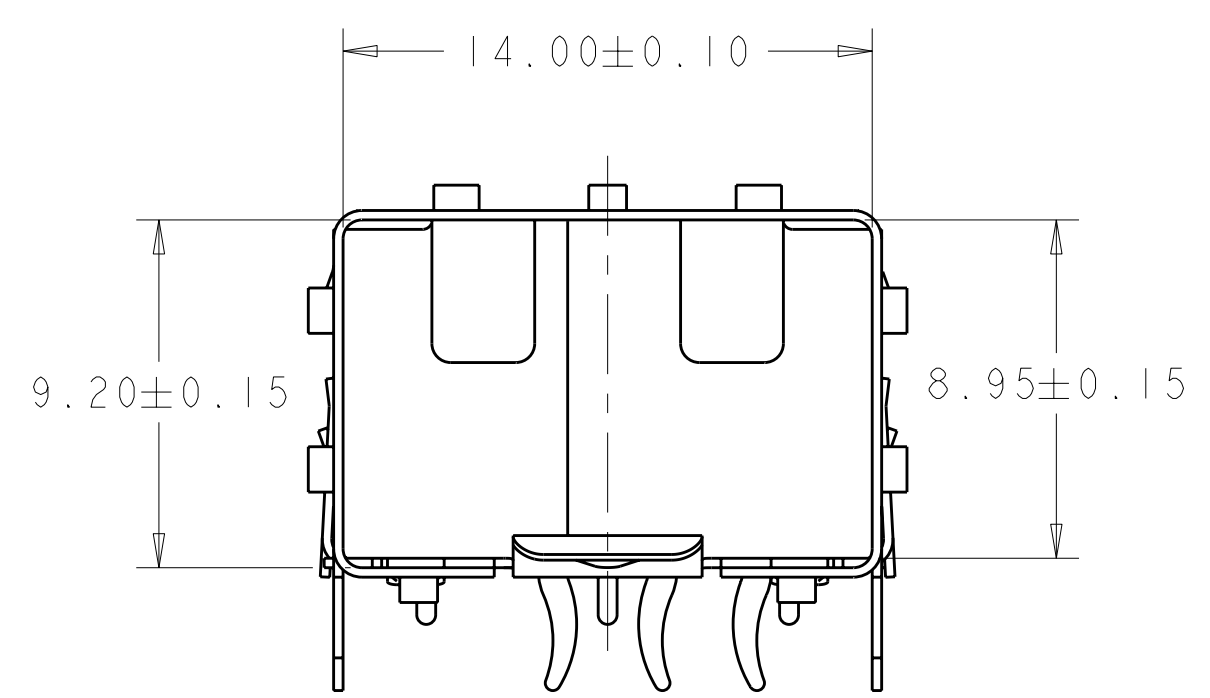


LOC	DIST	REV	DATE	DWN	APVD
GP	00				
REVISIONS					
C			12DEC06	BM	JK
D			04JAN2011	CJV	JTL



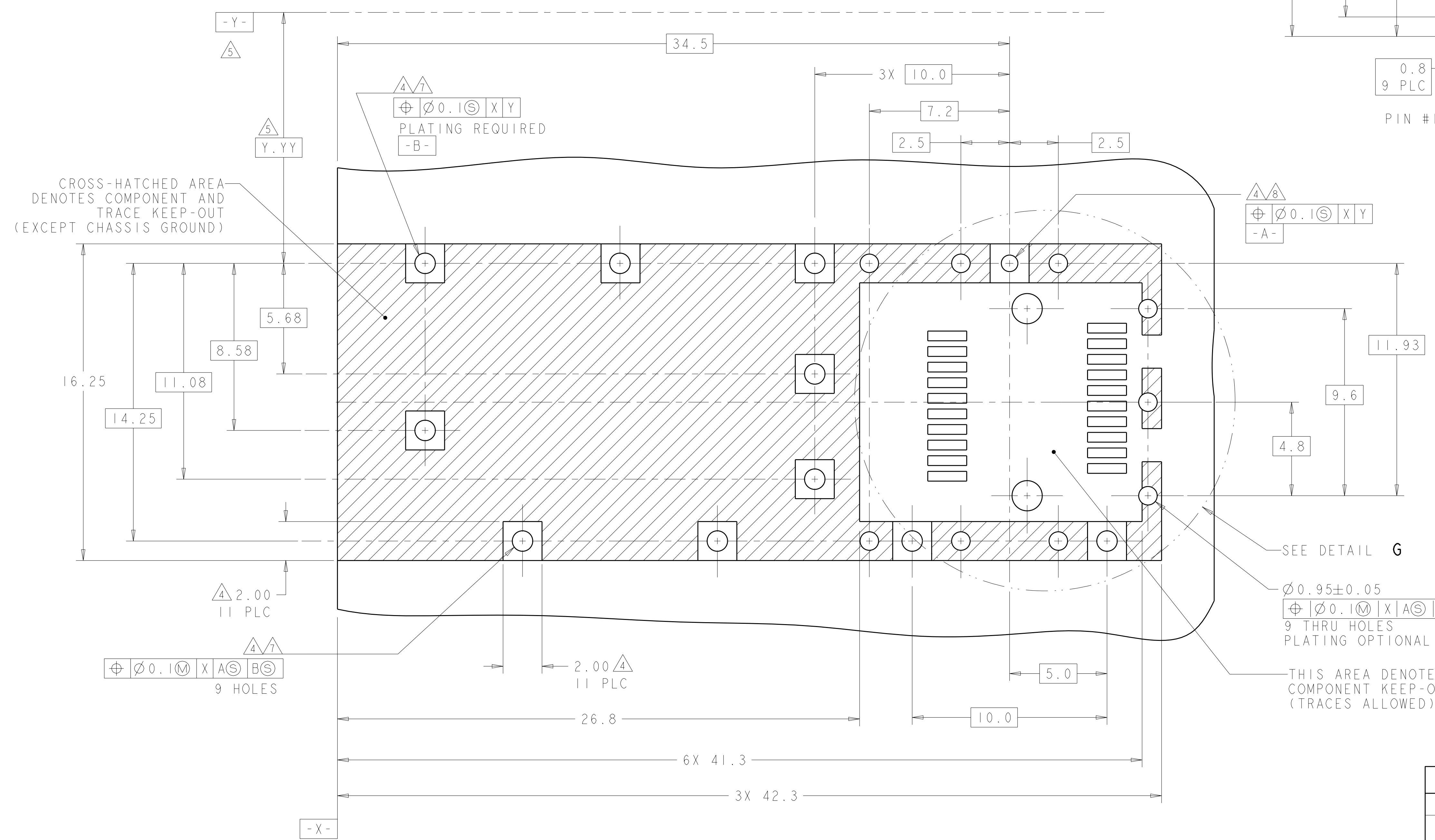
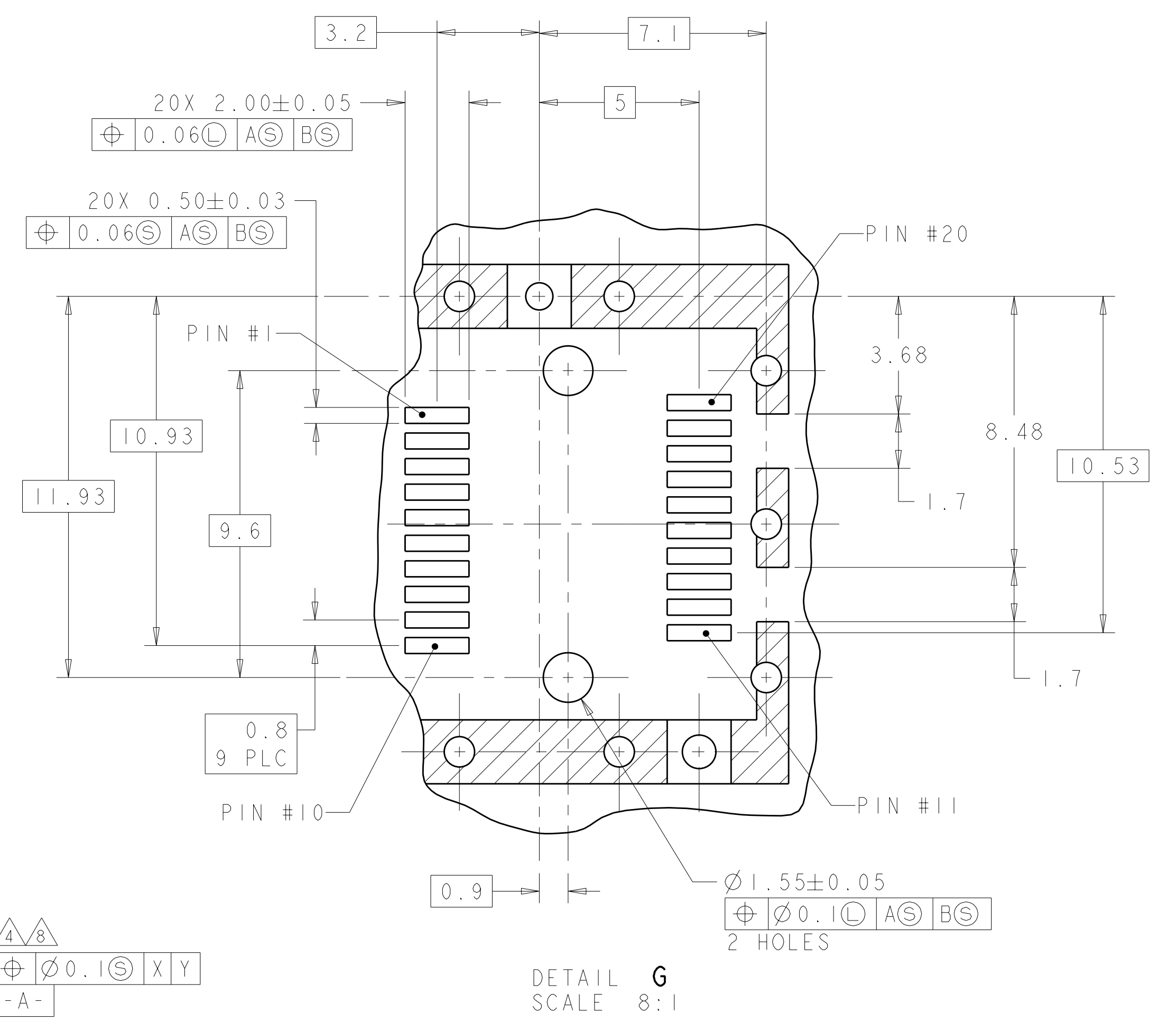
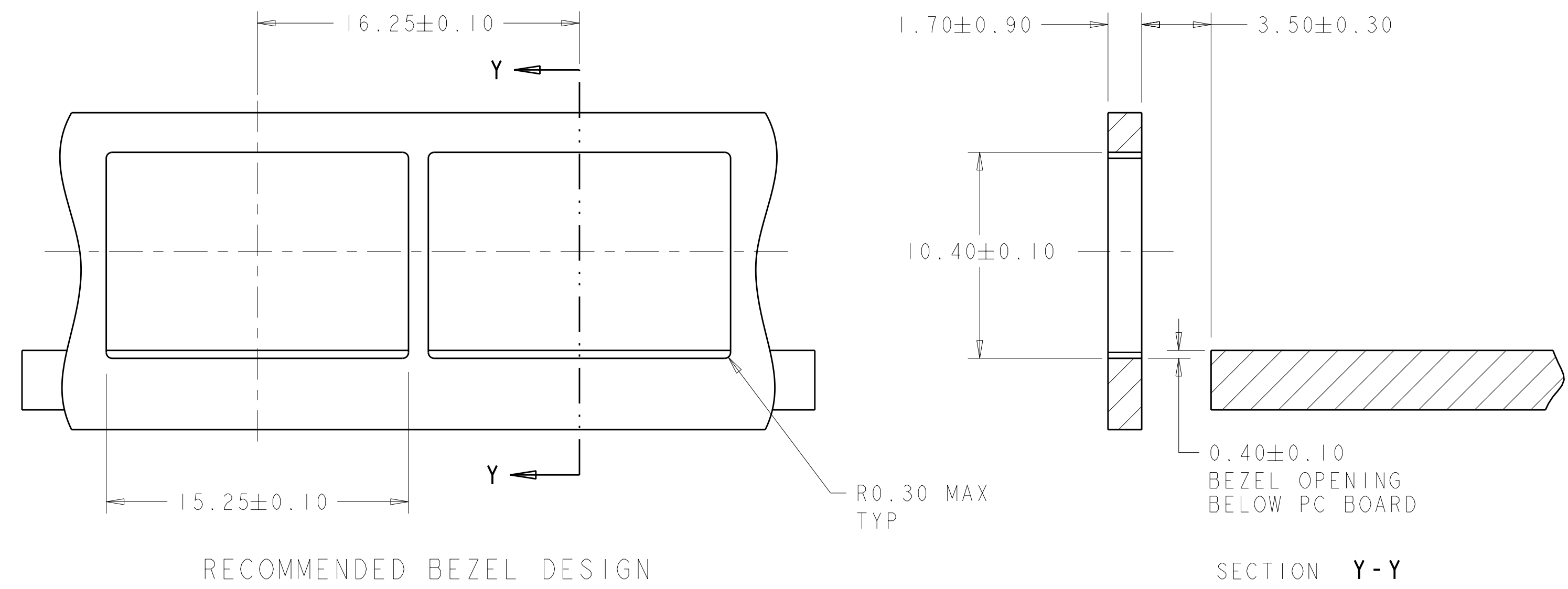
- 1. MATERIAL: 0.25 THICK COPPER ALLOY.
- 2. FINISH: TIN, NONPLATED EDGES PERMISSIBLE.
- 3. MATES WITH SFP MSA COMPLIANT TRANSCEIVERS.
- 4. PADS AND VIAS CHASSIS GROUND.
- 5. DATUM AND BASIC DIMENSIONS ESTABLISHED BY CUSTOMER.
- 6. MINIMUM PC BOARD THICKNESS:  
 SINGLE SIDED= 1.45  
 DOUBLED SIDED= 3.00
- 7. REFERENCE APPLICATION SPEC 114-13178, HOLE A, FOR RECOMMENDED DRILL HOLE DIAMETER AND PLATING THICKNESSES.
- 8. REFERENCE APPLICATION SPEC 114-13178, HOLE C, FOR RECOMMENDED DRILL HOLE DIAMETER AND PLATING THICKNESSES.



1367643-1  
 PART NUMBER

<small>THIS DRAWING IS UNPUBLISHED. RELEASED FOR PUBLICATION BY TYCO ELECTRONICS CORPORATION. ALL RIGHTS RESERVED.</small> <small>THIS IS SUBJECT TO CHANGE WITHOUT NOTICE AND WITHOUT OBLIGATION. TYCO ELECTRONICS CORPORATION SHALL BE CONTACTED FOR THE LATEST REVISION.</small>		DWN: P. KERLIN 11MAY06 CHK: E. J. BRIGHT 11MAY06 APVD: E. J. BRIGHT 11MAY06	Tyco Electronics Harrisburg, PA 17105-3608
DIMENSIONS: mm 	TOLERANCES UNLESS OTHERWISE SPECIFIED: 0 PLC ± 1 PLC ±0.10 2 PLC ±0.15 3 PLC ± 4 PLC ± ANGLES ± FINISH ±	PRODUCT SPEC: 108-1950 APPLICATION SPEC: 114-13178 WEIGHT: - CUSTOMER DRAWING	NAME: CAGE ASSEMBLY, PRESS FIT, DWDM SFP SIZE: A   00779   C=1367643 RESTRICTED TO: - SCALE: 5:1 SHEET 1 OF 2 REV D

LOC	DIST	REV	DATE	BY	APPD
GP	00				



DIMENSIONS: mm 		TOLERANCES UNLESS OTHERWISE SPECIFIED: 9 PLC ± 1 PLC ±0.10 5 PLC ±0.15 4 PLC ± ANGLES ±		DWN P. KERLIN 11MAY06 CHK E. J. BRIGHT 11MAY06 APVD F. J. BRIGHT 11MAY06		Tyco Electronics Harrisburg, PA 17105-3608	
MATERIAL: FINISH:		PRODUCT SPEC: 108-1950 APPLICATION SPEC: 114-13178		NAME: CAGE ASSEMBLY, PRESS FIT, DWDM SFP		SIZE: CAGE CODE: DRAWING NO: A100779C=1367643	
CUSTOMER DRAWING		WEIGHT:		SCALE: 5:1		SHEET 2 OF 2 REV D	