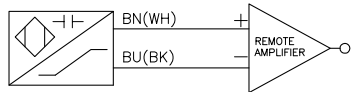
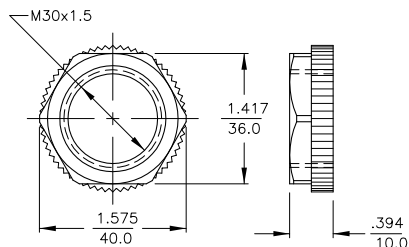


WIRING DIAGRAM



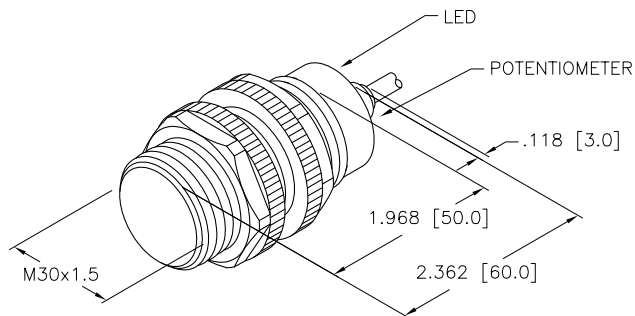
OUTPUT: Y1

LOCKNUT LN-P30



SPECIFICATIONS

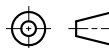
OPERATING VOLTAGE	5-15 VDC
NOMINAL VOLTAGE FOR INTRINSICALLY-SAFE SENSORS	8.2 VDC (DIN 19234)
OUTPUT FUNCTION	RESISTANCE CHANGE, REQUIRES REMOTE AMPLIFIER
RESISTANCE CHANGE FROM UNDAMPED TO DAMPED CONDITION	>8.0 kΩ → 1.0 kΩ
RESULTING CURRENT CHANGE	≤ 1.0 mA → ≥ 2.2 mA
RECOMMENDED SWITCHING POINT FOR REMOTE AMPLIFIER	1.55 mA
TIME DELAY BEFORE AVAILABILITY	≤ 0.5 ms
POWER-ON EFFECT PROTECTION	REALIZED IN AMPLIFIER
POLARITY INVERSION PROTECTION	INCORPORATED
WIRE-BREAK PROTECTION	REALIZED IN AMPLIFIER
PROTECTION AGAINST TRANSIENTS	REALIZED IN AMPLIFIER
OPERATING TEMPERATURE	-25°C to +70°C (-13°F to +158°F)
ENCLOSURE	MEETS NEMA 1, 3, 4, 6, 13 AND IEC IP67
SHOCK	30 g, 11 ms
VIBRATION	55 Hz, 1 mm AMPLITUDE (IN ALL 3 PLANES)
LED FUNCTION	RED: OUTPUT ENERGIZED
SENSING RANGE	10 mm = .394" (NOMINAL)
SWITCHING FREQUENCY	100 Hz
REPEATABILITY	≤ 2%
EMBEDDABLE	YES



RELATED DOCUMENTS

- 1.
- 2.
- 3.
- 4.

3RD ANGLE PROJECTION



THIS DRAWING IS PROPERTY OF TURCK INC. USE OF THIS DOCUMENT WITHOUT WRITTEN PERMISSION IS PROHIBITED.

TURCK INC
High Technology Sensors and Automation Controls

3000 CAMPUS DRIVE
MINNEAPOLIS, MN 55441
1-800-544-7769
(763) 553-7300
(763) 553-0708 fax
turck.com

MATERIAL
PA 12-GF30
PLASTIC BARREL

FINISH

ALL DIMENSIONS DISPLAYED ON THIS DRAWING ARE FOR REFERENCE ONLY

CONTACT TURCK FOR MORE INFORMATION

DRFT IK
DSGN

DATE 09/30/99
SCALE 1=2.0

UNIT OF MEASUREMENT
INCH [MILLIMETER]

DO NOT SCALE THIS DRAWING

DESCRIPTION
BC10-S30-Y1X

IDENTIFICATION NO. M2010000
REV C

FILE: M2010000 SHEET 1 OF 1

C	UPDATE DESCRIPTION TO "Y1X"	CBM	04/02/01	T4451
REV	DESCRIPTION	BY	DATE	ECO NO.