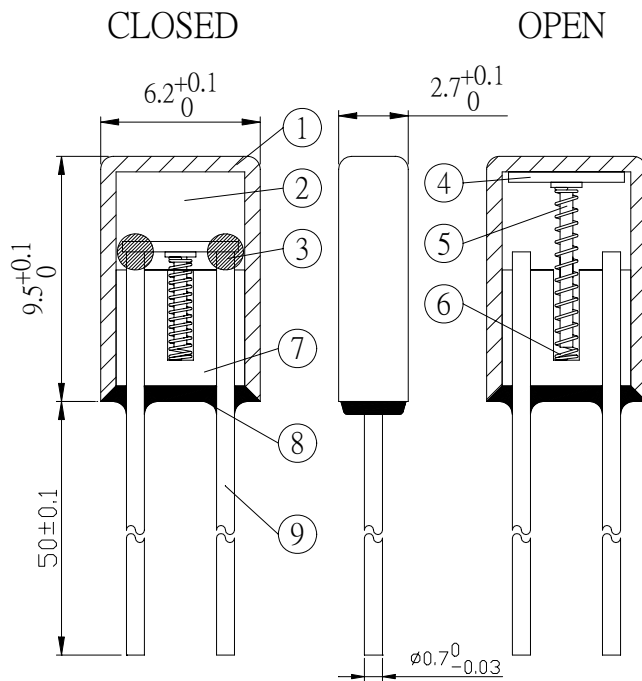


Limitor GmbH

Dieselstr. 22
73660 Urbach
Tel.: +49 7181 483900
Fax: +49 7181 4839010
e-mail: info@limitor.de
web: www.limitor.de

- Provide excellent secure performance for larger Amp requirements
- Single operation, for sure never reconnect
- Very accurate and highly reliable opening temperature



1	Case
2	Thermal Pellet
3	Fuse Alloy
4	Conductive Strip
5	Knob Pin
6	Spring
7	Base
8	Epoxy
9	Lead Wire

S-TYPE

Type No.	TF	TH	TM	Electrical Rating		Body (m/m)			Lead Wire		Recognized					
	°C	°C	°C	V	A	1 L	2 W	3 T	4 L	5 Ø	UL	cUL	TUV	PSE	CCC	國家試驗
S-95	100	70	180	250	5	9,5	6,2	2,7	50	0,7			○	○	○	○
				125	8									○	○	
S-105	110	80	180	250	5	9,5	6,2	2,7	50	0,7	○	○	○	○	○	○
				125	8									○	○	
S-125	130	100	180	250	5	9,5	6,2	2,7	50	0,7	○	○	○	○	○	○
				125	8									○	○	
S-138	143	110	180	250	5	9,5	6,2	2,7	50	0,7	○	○		○	○	○
				125	8									○	○	
S-145	150	120	180	250	5	9,5	6,2	2,7	50	0,7	○	○		○	○	○
				125	8									○	○	
S95H	100	70	180	250	15	11	8,6	3,8	50	1,2				○	○	○
S105H	110	80	180	250	15						○	○	○	○	○	○
S125H	130	100	180	250	15									○		
S145H	150	120	180	250	15									○	○	○
S180H	185	160	200	250	15											○
S-95	100	70	180	250	20	13,5	13	4,3	50	1,6						○
S-105	110	80	180	250	20											○
S-145	150	120	180	250	20											○

Copyright © 2007 WORLD THERMO CORPORATION
Last modified: 09/04/07