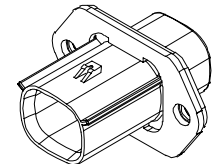
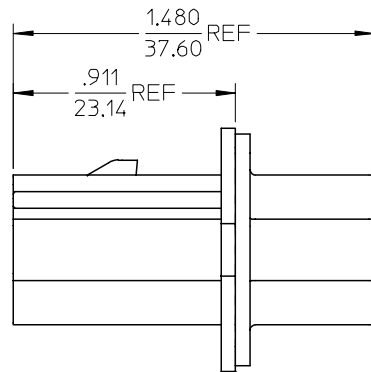
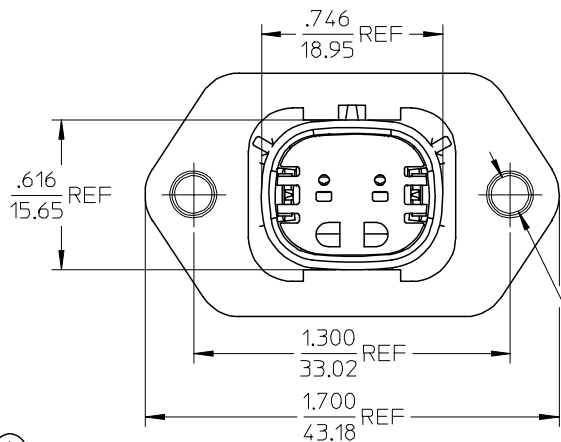


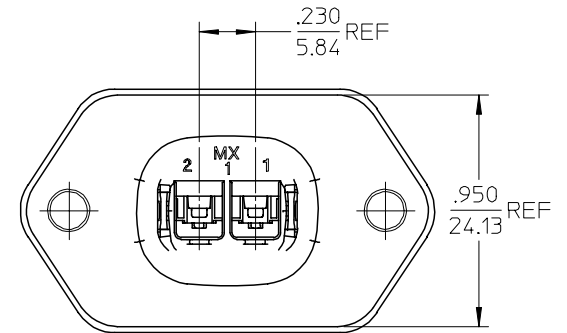
RECOMMENDED PANEL MOUNT OPENING
MAX PANEL THK .080/2.03



ASSEMBLED VIEW
SCALE 1:1



GASKET
194270025



194290041	YES
194290026	NO
MATERIAL NUMBER	GASKET

NOTES:

1. ASSEMBLY BULK PACKAGED PER PK-19429-001.
2. USE CONNECTOR WITH MALE CRIMP TERMINAL: SERIES 19417.
3. PLUG PANEL MOUNT ASSEMBLY DESIGNED TO MATE TO 19418 SERIES RECEPTACLE ASSEMBLIES.

4 HOLE IS DESIGNED TO ACCEPT #6 FASTENER.

EC NO: ETC2005-0118 DRWN:BRUPERT 2005/01/20 CHKD:JPAWLICK 2005/01/20 APPR:RDEROSS 2005/01/20	QUALITY SYMBOLS	GENERAL TOLERANCES (UNLESS SPECIFIED)	SCALE 2:1	DESIGN UNITS INCH	THIRD ANGLE PROJECTION	REVISE ON CAD ONLY															
	DESCRIPTION	<table border="1"> <tr> <th></th> <th>mm</th> <th>INCH</th> </tr> <tr> <td>4 PLACES</td> <td>± .005</td> <td>± .001</td> </tr> <tr> <td>3 PLACES</td> <td>± .005</td> <td>± .015</td> </tr> <tr> <td>2 PLACES</td> <td>± 0.38</td> <td>± .015</td> </tr> <tr> <td>1 PLACE</td> <td>± .005</td> <td>± .001</td> </tr> </table> ANGULAR ± 1 °		mm	INCH	4 PLACES	± .005	± .001	3 PLACES	± .005	± .015	2 PLACES	± 0.38	± .015	1 PLACE	± .005	± .001	DIMENSION STYLE IN/MM	TITLE	2-WAY PLUG PANEL MOUNT ASSEMBLY W/O BOSS 22-14 AWG	
		mm	INCH																		
	4 PLACES	± .005	± .001																		
3 PLACES	± .005	± .015																			
2 PLACES	± 0.38	± .015																			
1 PLACE	± .005	± .001																			
REV	DRAFT WHERE APPLICABLE	APPROVED BY DATE	DRAWN BY DATE	CHECKED BY DATE	MATERIAL NO. DOCUMENT NO. SHEET NO.																
A	MUST REMAIN WITHIN DIMENSIONS	RDEROSS 2004/07/15	DMYRICK 2004/07/15	JPAWLICK 2004/07/15	SEE CHART SD-19429-009 1 OF 1																
THIS DRAWING CONTAINS INFORMATION THAT IS PROPRIETARY TO MOLEX INCORPORATED AND SHOULD NOT BE USED WITHOUT WRITTEN PERMISSION																					