



ENGLISH

Datasheet

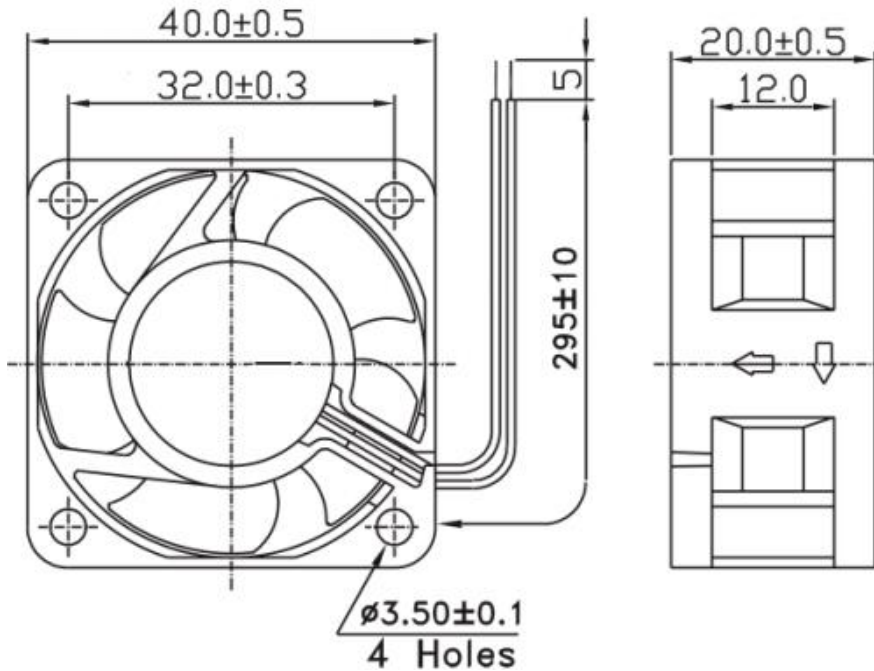
DC Axial Fan, 40 x 40 x 20mm, 15.3m/h, 1.2W, 12 V dc (OD4020 Series)

RS Stock number [668-8805](#)



| RS Order Number | 6688805 | 6688814 |
|-----------------------|--------------|--------------|
| Model Number | OD4020-12HSS | OD4020-24HSS |
| Nominal Voltage (VDC) | 12 | 24 |
| Nominal Current (A) | 0.11 | 0.09 |
| Rated Power (W) | 1.2 | 1.7 |
| Rated Speed (RPM) | 7800 | 7800 |
| Airflow (CFM) | 9 | 9 |
| Noise Level (dB) | 32 | 32 |
| Max. Static Pressure | 0.30 "H2O | 0.30 "H2O |

Drawing(mm):



Specifications:

| | |
|------------------------|--|
| Frame & Impeller: | PBT, UL94V-O plastic |
| Connection: | 2x Lead wires 26AWG |
| Motor: | Brushless DC, auto restart, impedance and polarity protected |
| Bearing System: | Sealed sleeve |
| Insulation Resistance: | 10M ohm between leadwire and frame (500VDC) |
| Dielectric Strength: | 1 second at 500 VAC, max leakage – 500MicroAmp |
| Storage Temperature: | -30 ~ +90°C |
| Operating Temperature: | -10 ~ +70°C |
| Life Expectancy (L10): | 50,000+ hrs |

Available Options:

- Sleeve bearing
- Ball bearing
- Tachometer
- Alarm
- 5V