

# Datasheet

## s.28 DZR compression ends

Full port 12-54mm dezincification-resistant hot forged ball valves



### Quality:

- 24h 100% seal test guaranteed
- Dual sealing system allows valve to be operated in either direction making installation easier
- No metal-to-metal moving parts
- Handle clearly shows ball position
- Silicone-free lubricant on all seals
- Travel stops on body to avoid stresses at stem
- Chrome plated DZR brass ball for longer life

### Body:

- Hot forged sand blasted DZR unplated body and cap sealed with Loctite® or equivalent thread sealant
- Dezincification Resistant ADZ-T and ADZ-P brass approved to SBN-PFS 1983:2 and NR-BFS 1988:18 specifications

### Stem:

- Two FPM O-rings at the stem for maximum safety
- Blowout-proof unplated DZR brass stem

### Seals:

- Pure PTFE self-lubricating seats with flexible-lip design

### PED Directives:

- The product described in this document meets the requirements of PED Directive 97/23 and according to art.3 par.3, it does not require CE marking; it cannot be used with dangerous gases in sizes larger than 25mm; it cannot be used with non-dangerous gases in sizes larger than 40mm



### Threads:

- Compression ends to EN 1254-2 and NKB no.12

### Flow:

- Full port to DIN 3357 for maximum flow

### Handle:

- Geomet® carbon steel handle with thick PVC dip coating. Handle coating offers both thermal and electrical protection
- Handle removable with valve in service

### Working Pressure:

- 16 Bar (230 PSI)
- non-shock cold working pressure

### Working Temperature:

- -20°C (-4°F) / +120°C (+250°F)
- Warning: freezing of the fluid in the installation may severely damage the valve

### Options:

- T-handle
- Oval lockable handle
- AISI 430 stainless steel handle
- Patented locking device
- Compression ends with extended stem for insulation
- Add-on Brass stem extension

### Upon Request:

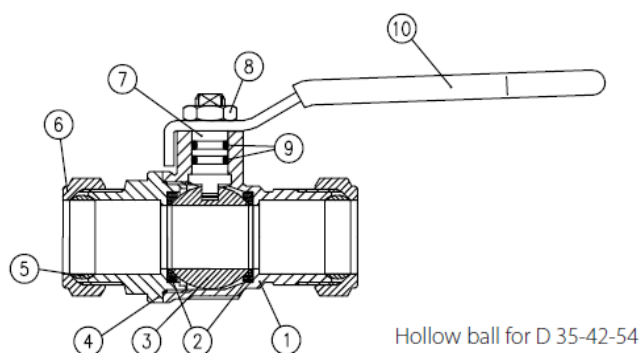
- AISI 316 stainless steel ball
- Glass filled PTFE seals
- Custom Design

**Approved by or in compliance with:**

- Swedcert (Sweden)
- Water Regulations Advisory Scheme (United Kingdom)
- GOST-R (Russia)
- Hygiene and epidemic center in Moscow city (Russia)
- UkrSepro (Ukraine)
- RoHS Compliant

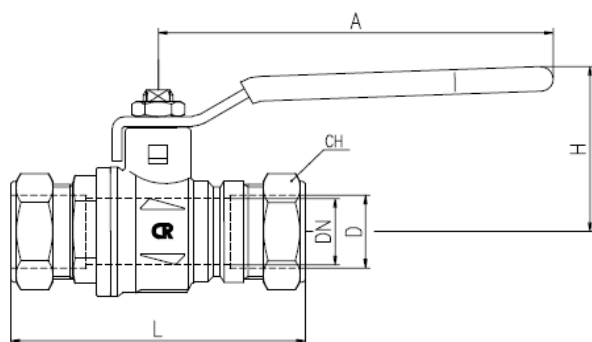
• EAC - Declaration of conformity (Russia-Kazakhstan-Belarus)

**NOTE:** Approvals apply to specific configurations/sizes only.



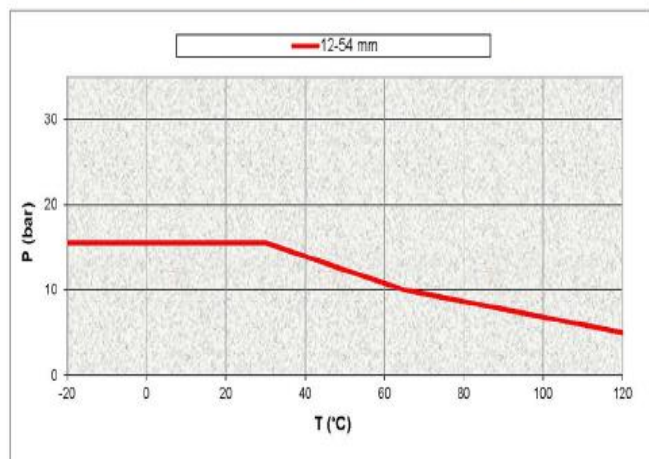
Hollow ball for D 35-42-54

| PART DESCRIPTION | Q.TY                                     | MATERIAL |        |
|------------------|--|----------|--------|
| 1                | Unplated body                            | 1        | CW602N |
| 2                | Ball seat                                | 2        | PTFE   |
| 3                | Chrome plated ball                       | 1        | CW602N |
| 4                | Unplated end cap                         | 1        | CW602N |
| 5                | Olive                                    | 2        | CW617N |
| 6                | Unplated nut                             | 2        | CW617N |
| 7                | Unplated stem<br>O-ring design           | 1        | CW602N |
| 8                | Geomet® nut                              | 1        | CB4FF  |
| 9                | O-Ring                                   | 2        | FPM    |
| 10               | White PVC coated<br>Geomet® steel handle | 1        | DD11   |



| Valve code | S28C12 | S28D15 | S28D18 | S28E22 | S28F28 | S28G35 | S28H42 | S28I54 |
|------------|--------|--------|--------|--------|--------|--------|--------|--------|
| D (mm)     | 12     | 15     | 18     | 22     | 28     | 35     | 42     | 54     |
| DN (mm)    | 10     | 15     | 15     | 20     | 25     | 32     | 40     | 50     |
| L (mm)     | 67     | 72     | 78.5   | 79     | 90.5   | 110    | 128.5  | 142    |
| A (mm)     | 100    | 100    | 100    | 120    | 120    | 158    | 158    | 158    |
| H (mm)     | 38     | 43     | 43     | 50     | 54     | 73     | 79     | 86     |
| CH (mm)    | 19     | 24     | 27     | 32     | 38.5   | 48     | 54     | 70     |

**Pressure-Temperature Chart**



**Pressure Drop Chart**

