

## 64339 A 105-10

---

Halogen lamps with reflector, current-controlled, 62...105 W



### Product benefits

---

- Reduced operation and maintenance costs due to long life time
- Instant and constant light output over the lamp life
- Flicker-free operation
- Mercury-free

### Product features

---

- Dimmable
- Available with connector combinations A, B, C/Z on request
- Infrared radiation output that provides light in the worst of conditions

## Technical data

---

### Electrical data

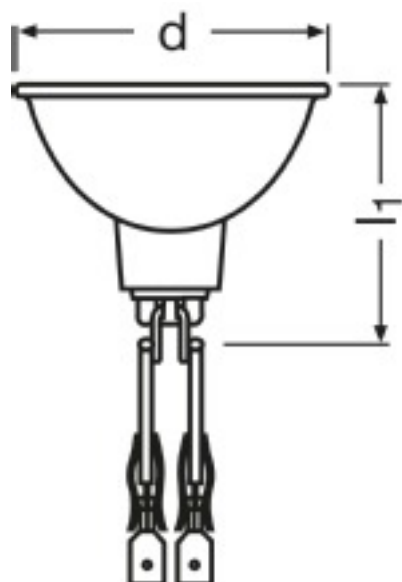
Nominal wattage	105 W
Nominal current	6.60 A

### Light technical data

Axial luminous intensity	32000 cd
Luminous intensity	30000 cd

### Dimensions & weight

Diameter	50.4 mm
Length with base excl. base pins/connection	48.00 mm
Length	48.0 mm



*Product line drawing*

**Lifespan**

Lifespan	1000 h
----------	--------

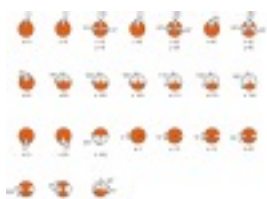
**Country specific categorizations**

Order reference	64339
-----------------	-------

## Safety advice

---

To prevent personal injury or damage to property, halogen lamps may only be operated in suitable luminaires designed with suitable mechanisms (protective shields, grids, etc.) to ensure that in the event of a lamp bursting no parts/shards can escape and that during operation no ultraviolet radiation can escape. There must also be a warning sign to indicate that the lamps give off high levels of heat. Detailed information is available on request.



---

*Burning position*

**Logistical Data**

Product code	Packaging unit (Pieces/Unit)	Dimensions (height x width x length)	Gross weight	Volume
4008321101600	Folding carton box 1	50 mm x 50 mm x 63 mm	35.00 g	0.16 dm <sup>3</sup>
4008321101617	Shipping carton box 20	112 mm x 132 mm x 257 mm	790.00 g	3.80 dm <sup>3</sup>

## References / Links

---

For more information on airfield lamps see the brochure:

"The reliable guiding stars - Effective solutions for airfield lighting: Tungsten halogen lamps and LED light sources".

## Disclaimer

---

Subject to change without notice. Errors and omission excepted. Always make sure to use the most recent release.