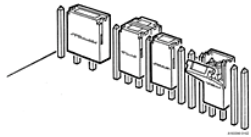


65474-001 - Mini-Jump™ :
 2.54 mm (0.1 in.) Centerline,
 Single Row Shunt Color Blue
 1.02 µm (40 µin.) Gold Plating

ACTIVE



www.fci.com



Alternate Products

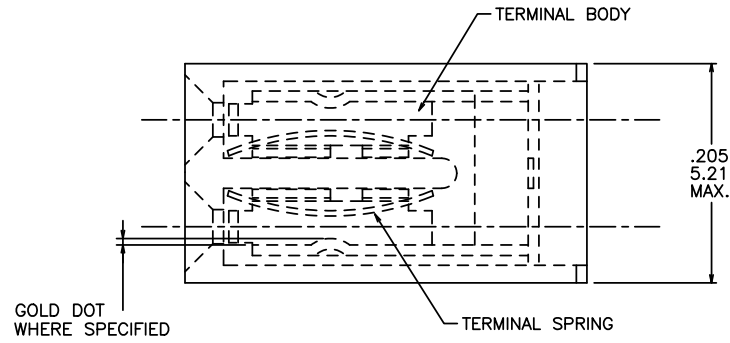
65474-001LF

Specifications

General	
Number of contacts (Total)	2
Number of rows	1
Mating half	0.64 mm (0.025 in.) Square Pins of 3.68 mm (0.145 in.) min. Height
Series Number	65474
Dimensional	
Dim A (in)	0.385 in.
Dim A (mm)	9.78 mm
Spacing (Center line)	2.54 mm (0.1 in.)
Height (Housing)	9.78 mm (0.385 in.)
Electrical	
Current rating	2.5 amps
Resistance (Contact)	15 milli ohms (Initial), 20 milli ohms (After test)
Resistance (Insulation)	50000 M-ohms min.
Voltage rating	800V AC rms (Sea level)
Mechanical	
Durability (Mating cycles)	50
Insertion force	450gf (1lbf) max.
Withdrawal Force	30gf (0.06lbf) min.
Physical	
Color (Housing)	Blue
Material (Contact)	Copper Alloy
Material (Housing)	Thermoplastic Polyester (UL 94 V-0)
Plating (Contact area)	1.02 µm (40 µin.) Gold
Underplating (Contact)	1.27 µm (50 µin.) Nickel
Temperature (Range)	-55°C to +120°C
Approvals / Certifications	
UL File Number	E66906

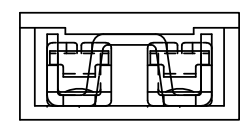
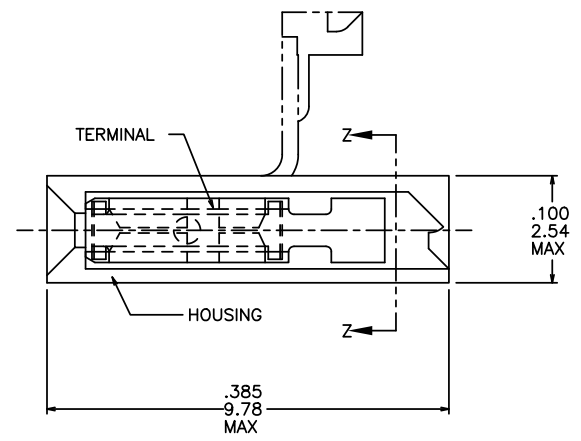
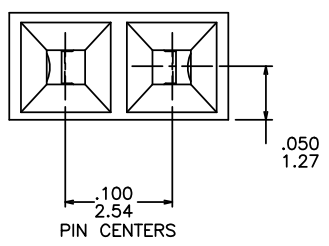
CSA File Number	LR46923
Approvals / Certifications	UL and CSA Approved
Other Features	
Packaging (Type)	Bag

1 2 3 4 5 6



NOTES:

- ① HOUSING MATERIAL IS FLAME RETARDANT PER UL 94V-0 OR EQUIV.
- ② PRODUCT NUMBER 65474-810 TO BE MARKED "BERG" CAGE 22526, DESC XXXXX-XX (NO. TO BE ASSIGNED), AND DATE ON PACKAGING LABEL.
- ③ ADD "LF" SUFFIX AT THE END OF PART NUMBER FOR LEAD FREE OPTION.
- ④ THESE PRODUCTS MEET EUROPEAN UNION DIRECTIVES AND OTHER COUNTRY REGULATIONS AS DESCRIBED IN GS-22-008.
- 5. THE PRODUCT IS NOT INTENDED TO BE EXPOSED TO A MANUFACTURING SOLDER PROCESS.
- ⑥ "THIS PRODUCT HAS 100% TIN PLATING IN THE INTERFACE AND HAS NOT BEEN TESTED FOR WHISKERS GROWTH IN ALL INTERCONNECT ENVIRONMENTS."



SECTION ZZ

FCI
 FCIconnect.com
 Copyright FCI

mat'l. code		surface ISO 1302		tolerance ISO 406 ISO 1101		projection INCH/MM		product family JUMPER	
l t r e c n n o d r		date		tolerances unless otherwise specified		INCH/MM		title	
P	V41246 SAR	11/4/94	angles	.XX±.01/.3	linea	.XXX±.005/.13	scale 6:1	MINI-JUMP ASSEMBLY .100/2.54cc	
R	V50585 SAR	6/26/95	0'±2"	.XXXX±.0020/.05					
S	V50969 SAR	8/3/95							
T	M05-0205 ERE	09/29/05	dr	S. ROYER	11/4/94	FCI			
U	M06-0238 MN	06/16/08	engr	L. FYE	11/4/94	dwg no 65474 sheet 1 of 2 size A3			
V	M06-0389 AGS	10/4/06	chr	L. FYE	11/4/94	type Product Customer Drawing			
W	ELX-N-01189 J.Z	2012-04-24	appd	L. FYE	11/4/94				
sheet index	revision	W	W						
1	2								

FORM A3 1 2 3 4 5 6

PRODUCT NUMBER NOTE 3	HOUSING COLOR	TERMINAL BODY		TERMINAL SPRING		HOUSING MATERIAL
		MATERIAL	PLATING	MATERIAL	PLATING	
65474-001	BLUE	.010/.25 THICK 1/4 HD BRASS ALLOY UNS C26000	STRIPE, 40u"/1.02u Au or GXT at CONTACT over 50u"/1.27u Ni	.0048/.122 THICK BE-CU ALLOY UNS C17200 HEAT TREATED	P-Ni/M-050 P-Au/M-003	PLAIN POLYESTER NOTE 1
-002	BLUE	.010/.25 THICK 1/4 HD BRASS ALLOY UNS C26000	SN PLATED	.0048/.122 THICK BE-CU ALLOY UNS C17200 HEAT TREATED	TIN PLATED	PLAIN POLYESTER NOTE 1
-003	DISCONTINUED					
-004	BLUE	.010/.25 THICK 1/4 HD CuNi ALLOY UNS C72500	.001/.03 MIN THICK GOLD DOT	.0048/.122 THICK BE-CU ALLOY UNS C17200 HEAT TREATED	P-Ni/M-050 P-Au/M-003	PLAIN POLYESTER NOTE 1
-005	BLACK	.010/.25 THICK 1/4 HD CuNi ALLOY UNS C72500	.001/.03 MIN THICK GOLD DOT	.0048/.122 THICK BE-CU ALLOY UNS C17200 HEAT TREATED	P-Ni/M-050 P-Au/M-003	PLAIN NORLYL NOTE 1
-006	BLACK	.010/.25 THICK 1/4 HD BRASS ALLOY UNS C26000	STRIPE, 40u"/1.02u Au or GXT at CONTACT over 50u"/1.27u Ni	.0048/.122 THICK BE-CU ALLOY UNS C17200 HEAT TREATED	P-Ni/M-050 P-Au/M-003	PLAIN NORLYL NOTE 1
-007	SAME AS -004 EXCEPT PACKAGING-RESTRICTED					
-008	SAME AS -004 EXCEPT PACKAGING-RESTRICTED					
-009	BLUE	.010/.25 THICK 1/4 HD BRASS ALLOY UNS C26000	STRIPE, 40u"/1.02u Au or GXT at CONTACT over 50u"/1.27u Ni	.0048/.122 THICK BE-CU ALLOY UNS C17200 HEAT TREATED	30u"/.76u Au	PLAIN NORLYL NOTE 1-RESTRICTED
-010	BLUE	.010/.25 THICK 1/4 HD BRASS ALLOY UNS C26000	STRIPE, 30u"/0.76u Au or GXT at CONTACT over 50u"/1.27u Ni	.0048/.122 THICK BE-CU ALLOY UNS C17200 HEAT TREATED	P-Ni/M-050 P-Au/M-003	PLAIN POLYESTER NOTE 1
65474-810	SAME AS -010 EXCEPT ADD SPECIAL MIL MARKING PER NOTE 2					

OB
OB

mat'l. code	surface ISO 1302 ✓	tolerance ISO 406 ISO 1101	projection 	product family JUMPER
ltr ecn nchr date	tolerances unless otherwise specified		title MINI-JUMP ASSEMBLY .100/2.54cc	
W	angles 0°±2'	linea .XX±.01/.3 .XXX±.005/.13 .XXX±.0020/.051	INCH/MM scale 6:1	dwg no 65474
	dr S. ROYER 11/4/94	engr L. FYE 11/4/94	chr L. FYE 11/4/94	shee 2 of 2 size A3
	appd L. FYE 11/4/94	type Product Customer Drawing		
sheet index	revision sheet			



Copyright FCI
 FCJ
 FCIconnect.com