

RL.39-8-800/...

Reflection light scanner

# RL.39-8-800/...

with terminal compartment or 4-pin, M12 connector

CE

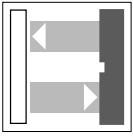


- ◆ Detection range up to 800 mm
- ◆ Pre-fault indication and output
- ◆ Light/dark ON, switchable
- ◆ Supplied with mounting accessory
- ◆ Protection degree IP66
- ◆ AS-Interface
- ◆ Direct/alternating voltage
- ◆ Relay output

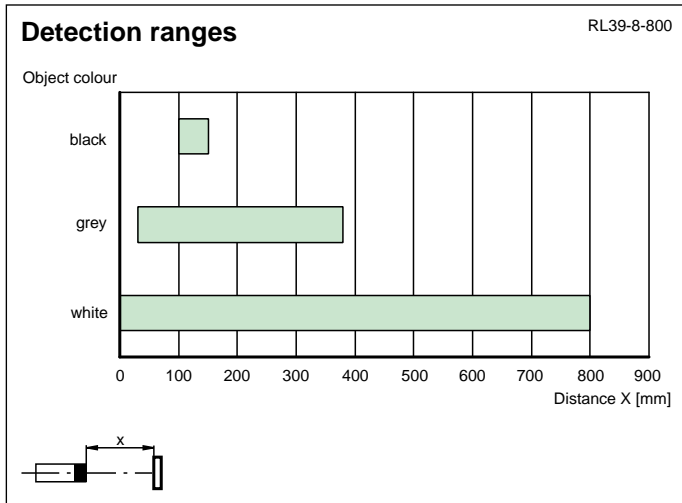
For suitable cable sockets, reflectors and mounting aids refer to chapter "accessories".

Date of issue: 10/15/01

Ordering code		RL39-8-800/30/40a/82a/116	RL39-8-800/32/40a/82a/116	RL39-8-800-AS-I/116	RL39-8-800-AS-I/73c	RLK39-8-800/31/40a/116	RLK39-8-800-Z/31/40a/116
Detection range	0 ... 800 mm	◆	◆	◆	◆	◆	◆
Adjustment range	65 ... 800 mm	◆	◆	◆	◆	◆	◆
Reference target	Standard white 200 mm x 200 mm	◆	◆	◆	◆	◆	◆
Light source	IRED	◆	◆	◆	◆	◆	◆
Light type	Alternating light	◆	◆	◆	◆	◆	◆
Ambient light limit	10000 Lux	◆	◆	◆	◆	◆	◆
Standard conformity	EN 60947-5-2	◆	◆	◆	◆	◆	◆
Approvals	CE	◆	◆	◆	◆	◆	◆
Function display	LED yellow: switching state LED red: pre-fault indication	◆	◆	◆	◆	◆	◆
Controls	sensitivity adjuster	◆	◆	◆	◆	◆	◆
<b>Controls</b>	Light/dark switch	◆	◆			◆	◆
<b>Controls</b>	Switch for timer function						◆
<b>Operating voltage</b>	via AS-i network			◆	◆		
	10 ... 30 V DC	◆	◆				
	12 ... 240 V DC					◆	◆
	24 ... 240 V AC (50 ... 60 Hz)					◆	◆
Ripple	10 %	◆	◆	◆	◆	◆	◆
<b>No-load supply current</b>	≤ 35 mA	◆	◆			◆	◆
	≤ 40 mA			◆	◆		
<b>Power consumption</b>	≤ 3 VA					◆	◆
Time delay before availability	≤ 50 ms	◆	◆	◆	◆	◆	◆
<b>Signal output</b>	1 switch output npn	◆					
	1 switch output pnp		◆				
	1 relay output / NO					◆	◆
	AS-Interface			◆	◆		
Switching type	light/dark switching	◆	◆	◆	◆	◆	◆
<b>Switching voltage</b>	≤ 240 V AC					◆	◆
	≤ 30 V DC					◆	◆
	max. 30 V DC	◆	◆				
<b>Switching current</b>	≤ 3 A					◆	◆
	max. 200 mA	◆	◆				
<b>Voltage drop</b>	≤ 3 V	◆	◆			◆	◆
<b>Switching frequency</b>	≤ 100 Hz			◆	◆		
	≤ 25 Hz					◆	◆
	≤ 300 Hz	◆	◆				
<b>Response time</b>	≤ 1.5 ms	◆	◆				
	≤ 20 ms					◆	◆
	≤ 5 ms			◆	◆		
<b>Timer function</b>	On-/off-delay or pulse extension on choice						◆
<b>Output of the pre-fault indication</b>	NO, static, pnp (&amp;≤ 200 mA)		◆				
	NO, static, npn (≤ 200 mA)	◆					
Ambient temperature	-25 ... +55 °C	◆	◆	◆	◆	◆	◆
Storage temperature	-40 ... +55 °C	◆	◆	◆	◆	◆	◆
Protection degree	IP66	◆	◆	◆	◆	◆	◆
<b>Connection type</b>	Connector M12 x 1, 4-pin				◆		
	Terminal compartment Pg9, ≤ 2.5 mm <sup>2</sup>	◆	◆	◆		◆	◆
Housing	PBT	◆	◆	◆	◆	◆	◆
Light exit	PMMA	◆	◆	◆	◆	◆	◆
<b>Mass</b>	100 g	◆	◆	◆	◆		
	110 g					◆	◆



## Diagrams



### AS-i Programming

Address preset to 00, can be changed via Busmaster or programming devices  
IO-Code 1  
ID-Code 1

#### • Data bit

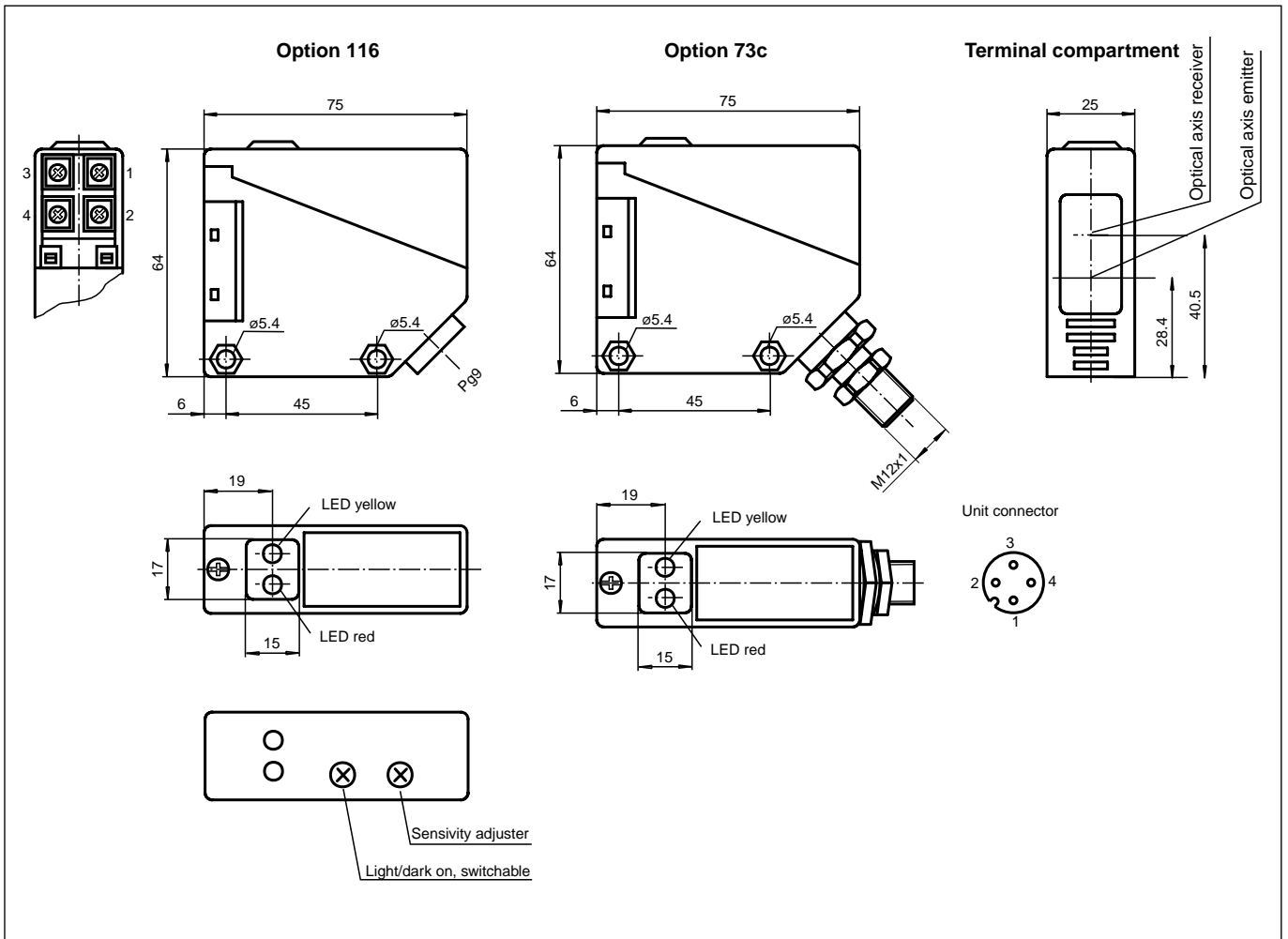
Bit	Function
D0	Switch output
D1	Pre-fault indication (0=ON, 1=OFF)
D2	ready to operate
D3	not used

#### • Parameter bit

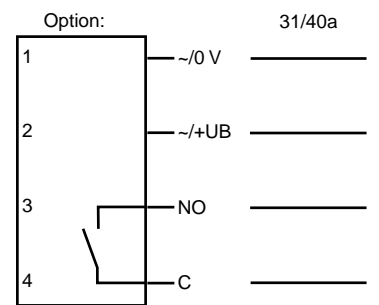
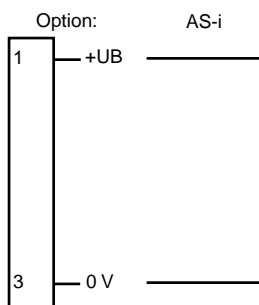
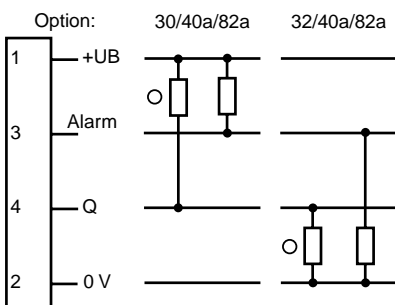
Bit	Function (1/0)
P0	not used
P1	Switch output, light*/dark ON
P2	Pulse extension (20 ms) OFF*/ON
P3	Pulse extension of light*/dark signals (OFF/ON-Delay)

\* Default setting

Dimensions



Electrical Connection



○ = Light ON, ● = Dark ON

Date of issue: 10/15/01

Subject to reasonable modifications due to technical advances.

Copyright Pepperl+Fuchs, Printed in Germany

Pepperl+Fuchs Group • Tel.: Germany (06 21) 7 76-0 • USA (330) 4 25 35 55 • Singapore 7 79 90 91 • Internet <http://www.pepperl-fuchs.com>