
Symphoni Sounders



The Symphoni sander is a general purpose internal sounder, available either as a very high output sander for noisy areas or a high output low current sander for applications where power is limited. Both versions share the same horn and a back box, which has double cable entries for ease of installation.

Symphoni High Output

This sander offers very high sound outputs while retaining tone compatibility with the Roshni, Squashni and Askari products. The high output and range of alarm tones suits the sander to noisy environments and general alarm signalling. The tone compatibility with other products provides the system designer with great flexibility and potential for economies in systems application.

- **ULTRA HIGH 120 dB (A) OUTPUT**
- **32 TONES**
- **LOW CURRENT TO REDUCE POWER SUPPLY REQUIREMENTS**
- **COMPATIBILITY WITH ROSHNI, SQUASHNI, ASKARI**
- **SYNCHRONISED START**
- **DOUBLE ENTRY BACKBOX FOR SIMPLIFIED**

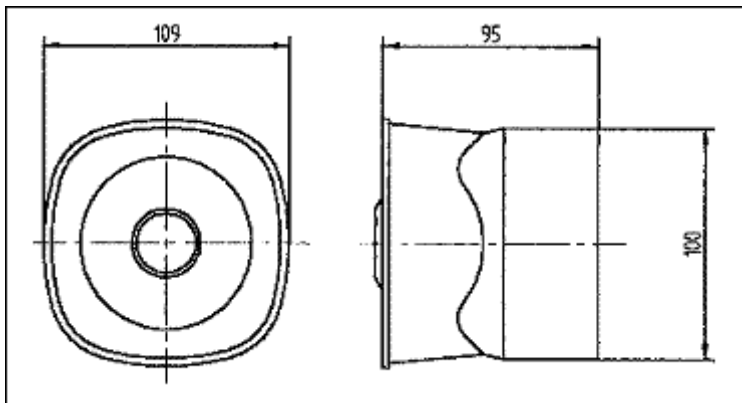
INSTALLATION

Symphoni (Low Power)

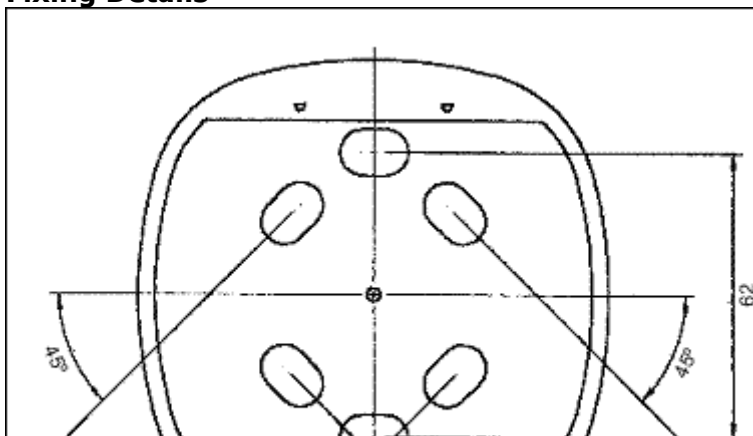
The innovative design used for this version of the sounder allows outputs of up to 100dB(A) for a current consumption of only 5mA.

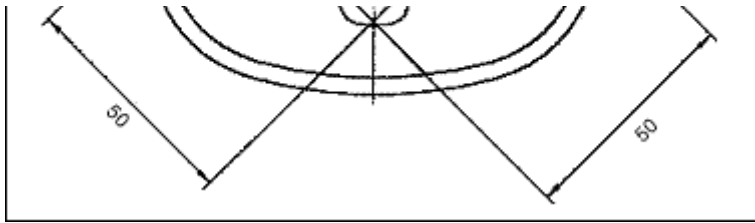
The low consumption lends itself to operation from the limited power available from loop driven systems and the sounder includes facilities for fixing address circuit boards. The sounder has three selectable tones, which may be employed for one, two or three stage alarm applications.

- **LOW 5mA CURRENT CONSUMPTION**
- **100dB(A) SOUND OUTPUT**
- **SYNCHRONISED START**
- **SUITABLE FOR MULTI-STAGE ALARM APPLICATIONS**
- **DOUBLE ENTRY BACK BOX FOR SIMPLIFIED INSTALLATION**



Fixing Details





SPECIFICATION

Model	Symphoni High Output	Symphoni (Low Power)
Operation	2 Hours Continuous	Continuous
Operating Voltage Range	9-28Vdc	12-30Vdc
Sound Output @ 1 metre	Up to 120dB(A)	100dB(A) +/- 2dB(A) @ 24Vdc
Current Consumption	240mA +/- 20mA on tone 3	5mA +/- 1mA
Tones	1 to 32 see table	Alternating 990Hz / 650Hz at 2Hz Continuous 990Hz Intermittent 990Hz, On/Off at 1Hz
Synchronisation	Synchronised start	Synchronised Start
Frequency Stability	+/- 0.15%	+/- 0.5%
Operating Temperature	-25°C to +55°C	-25°C to +70°C
Line Monitoring Method	Polarised Input	Polarised Input
Construction	ABS Plastic Case	ABS Plastic Case
Ingress Protection	IP42	IP42
Dimensions	See Drawings	See Drawings
Weight	0.58kg	0.212kg

TONES TABLE

Symphoni High Output					Typical current +/- 20mA		Typical Sound Output +/- 2dB (A) at 1m	
No	Tone	2nd	Code	Description	12v	24v	12v	24v
1	Alternative Tones 800/970Hz ¼s/¼s respectively	14	11111	BS5839 Part 1, 1988	120	240	108	113
2	Sweep 800/970Hz at 7 cycles per second	14	11110	Fast Sweep (LF) BS5839 Part 1, 1988	120	230	107	113
3	Sweep 800/970Hz at 1 cps	14	11101	Medium Sweep (LF) BS5839 Part 1, 1988	120	240	108	114
4	Continuous at 2850Hz	14	11100		100	210	111	119
5	Sweep 2400-2850Hz at 7 cps	4	11011	Fast Sweep	100	210	111	118
6	Sweep 2400-2850Hz at 1 cps	4	11010		100	210	112	120

7	Slow Whoop	14	11001	Slow Whoop	130	240	108	113
8	Sweep 1200-500Hz at 1cps	14	11000	Din Tone	130	240	107	112
9	Alternating Tones 2400/2850Hz ¼s/¼s	4	10111		110	210	112	117
10	Intermittent Tone 970Hz, 1s On/1s Off	14	10110	Back-up Alarm (LF) BS5839 Part 1, 1988	130	250	108	113
11	Alternating Tones 800/970Hz ¼s/¼s	14	10101	BS5839 Part 1, 1988	120	230	108	113
12	Intermittent Tone 2850Hz, 1s On/1s Off	4	10100	Back-up Alarm (HF)	100	210	111	117
13	Intermittent 970Hz, ¼s On ¼s Off	14	10011	BS5839 Part 1, 1988	130	260	107	113
14	Continuous at 970Hz	14	10010	BS5839 Part 1, 1988	130	250	107	112
15	Alternating 554/440Hz, 100/400ms	14	10001	French fire Sound	100	200	102	108
16	Intermittent 660Hz 150ms On/150 ms Off	16	10000	Swedish Alarm Tone	100	230	105	111
17	Intermittent 660Hz 1.8s On/1.8s Off	17	01111	Swedish Alarm Tone	110	230	106	111
18	Intermittent 660Hz 6.5s On/13s Off	18	01110	Swedish Alarm Tone	110	240	106	111
19	Continuous 660Hz	19	01101	Swedish Alarm Tone	110	220	105	110
20	Alternating 554/440Hz, 1s/1s	20	01100	Swedish Alarm Tone	110	210	102	108
21	Intermittent 660Hz, ½s On/½s Off	21	01011	Swedish Alarm Tone	110	230	106	111
22	Intermittent 2850Hz, 150ms On/100 ms Off	14	01010	Pelican Crossing	100	210	110	116
23	Sweep 800-970Hz at 50 cps	14	01001	Low Frequency Buzz BS5839 Part 1, 1988	120	230	107	112
24	Sweep 2400-2850Hz at 50 cps	4	01000	High Frequency Buzz	90	190	110	116
25	Intermittent 970Hz ½s On/½s Off, 3 tones per 4 cycles	26	00111	ISO 8201 Low frequency BS5839 Part 1, 1988	130	260	108	113
26	Intermittent 2850Hz ½s On/½s Off, 3 per 4 cycles	25	00110	ISO 8201 Low frequency	100	220	111	117
27	Continuous at 4kHz	27	00101		110	220	103	108
28	Alternating tones 800/970Hz, ¼s/¼s	10	00100	FP1063.1 - telecoms	120	230	108	113
29	Alternating tones 988/645Hz, ¼s/¼s	988Hz	00011	Symphoni tones	120	230	106	111
30	Alternating tones 510/610Hz, ¼s/¼s	510Hz	00010	Squashni micro	100	190	105	111
31	Sweep 300-1200Hz at 1 cps	31	00001		120	230	106	111
32	Continuous 4kHz	32	00000		110	220	103	108

We reserve the right to change, without prior notice, the specification of these products from that detailed.
Data shown is typical for operation under normal ambient conditions.