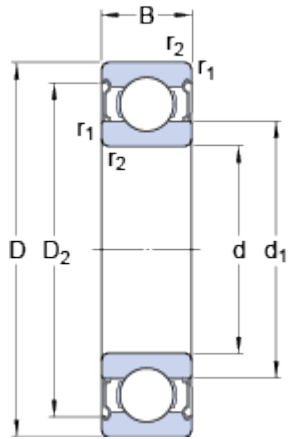


6316-2Z

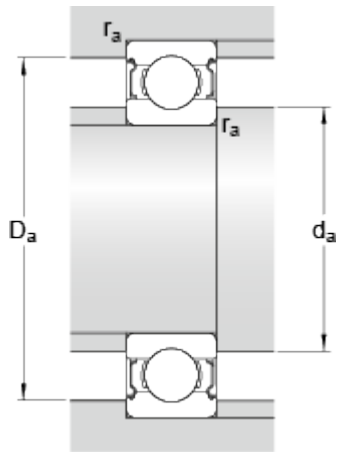
SKF Explorer

Dimensions



d		80	mm
D		170	mm
B		39	mm
d ₁	≈	108	mm
D ₂	≈	146.9	mm
r _{1,2}	min.	2.1	mm

Abutment dimensions



d _a	min.	92	mm
d _a	max.	107.9	mm
D _a	max.	158	mm
r _a	max.	2	mm

Calculation data

Basic dynamic load rating	C	130	kN
Basic static load rating	C ₀	86.5	kN
Fatigue load limit	P _u	3.2	kN
Reference speed		8500	r/min
Limiting speed		4300	r/min
Calculation factor	k _r	0.03	
Calculation factor	f ₀	13.3	

Mass

Mass bearing		3.727	kg
--------------	--	-------	----