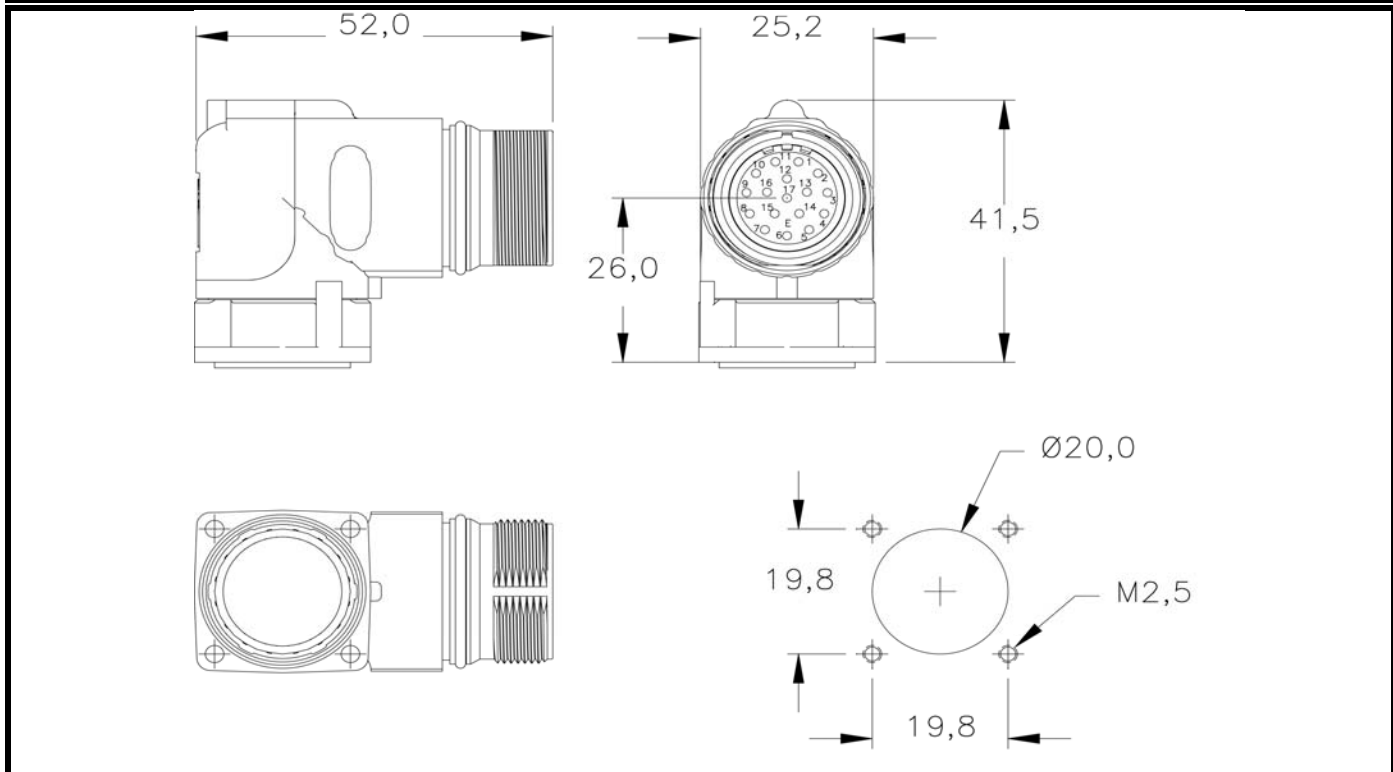


| CONFIGURATION | PART NUMBER | LENGTH |
|----------------------------------|-------------|--------|
| Rotatable 90° Receptacle, 17 Pos | MA1RAE1700 | NA |

DIMENSIONS



TECHNICAL DATA

| | |
|-------------------------------|---------------------------|
| TEMPERATURE RANGE: | -20C to +130C |
| PROTECTION: | IP 67 (Plugged Condition) |
| DEGREE OF PROTECTION: | 3 |
| OVER VOLTAGE CATEGORY: | III |
| HOUSING BODY: | ZINC DIE-CAST |
| COUPLING NUT: | BRASS, NICKEL-PLATED |
| INSULATION INSERTS: | PA66, UL 94 / VO |
| CONTACTS: | BRASS, GOLD-PLATED |
| SEALS: | DUPONT VITON |
| MAX CURRENT: | MAX. 9A |
| CONTACT SIZE: | 17 x 1.0mm |
| TEST VOLTAGE: | 2500 V |
| (BETWEEN CONTACTS) | |
| MAXIMUM VOLTAGE: | 125V AC/DC |
| CONTACT RESISTANCE: | <5 |
| MAXIMUM MATING CYCLES: | >50 |



