



Figure similar

EM. STOP MUSHROOM PUSHBUTTON, 22MM, ROUND, PLASTIC, RED, 40MM, LATCHING, POSITIVE LATCHING, ROTATE TO UNLATCH, WITH YELLOW BACKING PLATE, INSCRIPTION: NOT-HALT, WITH HOLDER, 1NC, SCREW TERMINAL

product brand name		SIRIUS ACT
Product designation		Commanding and signaling devices
Design of the product		Emergency stop mushroom pushbutton
<b>Manufacturer article number</b>		
<ul style="list-style-type: none"> <li>• of supplied contact module</li> <li>• of the supplied holder</li> <li>• of the supplied actuator</li> <li>• of supplied accessory</li> </ul>		<a href="#">3SU1400-1AA10-1CA0</a> <a href="#">3SU1500-0AA10-0AA0</a> <a href="#">3SU1000-1HB20-0AA0</a> <a href="#">3SU1900-0BC31-0AT0</a>

Actuator:		
Design of the operating mechanism		Emergency stop mushroom pushbutton, tamper-proof
Manner of function of the actuating element		Latching
Product expansion optional Light source		No
Color		
<ul style="list-style-type: none"> <li>• of the actuating element</li> </ul>		Red
Material of the actuating element		plastic
Shape of the actuating element		round
Outer diameter of the actuating element	mm	40
Number of contact modules		1
Type of unlocking device		rotate-to-unlatch mechanism

Front ring:		
Product component front ring		No

Holder:		
Material of the holder		Plastic

**Display:**

<b>Number of LED modules</b>		0
------------------------------	--	---

**General technical data:**

<b>Product function</b>		
• positive opening		Yes
• EMERGENCY OFF function		Yes
• EMERGENCY STOP function		Yes
<b>Product component</b>		
• Light source		No
<b>Insulation voltage</b>		
• Rated value	V	500
<b>Degree of pollution</b>		3
<b>Vibration resistance</b>		
• acc. to IEC 60068-2-6		10 ... 500 Hz: 5g
<b>Surge voltage resistance Rated value</b>	kV	6
<b>Operating frequency maximum</b>	1/h	600
<b>Mechanical service life (switching cycles)</b>		
• typical		300 000
<b>Electrical endurance (switching cycles)</b>		
• typical		300 000
<b>Thermal current</b>	A	10
<b>Protection class IP</b>		
• of the terminal		IP20
<b>Equipment marking</b>		
• acc. to DIN EN 61346-2		S
• acc. to DIN EN 81346-2		S
<b>Design of the fuse link for short-circuit protection of the auxiliary switch with type of assignment 1 required</b>		gG / Dz 10 A, quick-acting / Dz 10 A
<b>Operating voltage</b>		
• Rated value	V	5 ... 500

**Power Electronics:**

<b>Contact reliability</b>		One maloperation per 100 million (17 V, 5 mA), one maloperation per 10 million (5 V, 1 mA)
----------------------------	--	--

**Auxiliary circuit:**

<b>Number of NC contacts</b>		
• for auxiliary contacts		1
<b>Number of NO contacts</b>		
• for auxiliary contacts		0
<b>Number of CO contacts</b>		
• for auxiliary contacts		0
<b>Design of the contact of the auxiliary contacts</b>		Silver alloy

**Connections/ Terminals:**

<b>Type of electrical connection</b>		Screw-type terminal
<ul style="list-style-type: none"> <li>• of modules and accessories</li> </ul>		
<b>Type of connectable conductor cross-section</b>		
<ul style="list-style-type: none"> <li>• solid with core end processing</li> <li>• solid without core end processing</li> <li>• finely stranded with core end processing</li> <li>• finely stranded without core end processing</li> <li>• for AWG conductors</li> </ul>		2x (0.5 ... 0.75 mm <sup>2</sup> ) 2x (1.0 ... 1.5 mm <sup>2</sup> ) 2x (0.5 ... 1.5 mm <sup>2</sup> ) 2x (1.0 ... 1.5 mm <sup>2</sup> ) 2x (18 ... 14)
<b>Tightening torque</b>		
<ul style="list-style-type: none"> <li>• for auxiliary contacts with screw-type terminals</li> </ul>	N·m	0.8 ... 0.9

**Safety related data:**

<b>B10 value with high demand rate acc. to SN 31920</b>		100 000
---	--	---------

**Ambient conditions:**

<b>Ambient temperature</b>		
<ul style="list-style-type: none"> <li>• during operation</li> <li>• during storage</li> </ul>	°C	-25 ... +70
	°C	-40 ... +80

**Installation/ mounting/ dimensions:**

<b>Mounting type</b>		Front plate mounting
<ul style="list-style-type: none"> <li>• of modules and accessories</li> </ul>		
<b>Height</b>	mm	40
<b>Width</b>	mm	40
<b>Shape of the installation opening</b>		round
<b>Mounting diameter</b>	mm	22

**Accessories:**

<b>Number of backing plates</b>		1
<b>Marking of backing plate</b>		EMERGENCY-STOP
<b>Color of backing plate</b>		Yellow

**Certificates/ approvals:****Further information****Information- and Downloadcenter (Catalogs, Brochures,...)**

<http://www.siemens.com/industrial-controls/catalogs>

**Industry Mall (Online ordering system)**

<http://www.siemens.com/industrymall>

**Cax online generator**

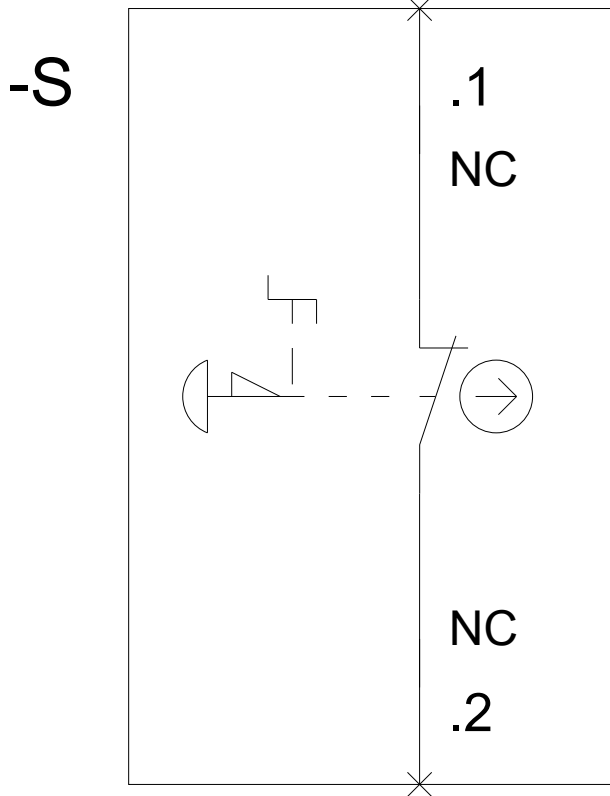
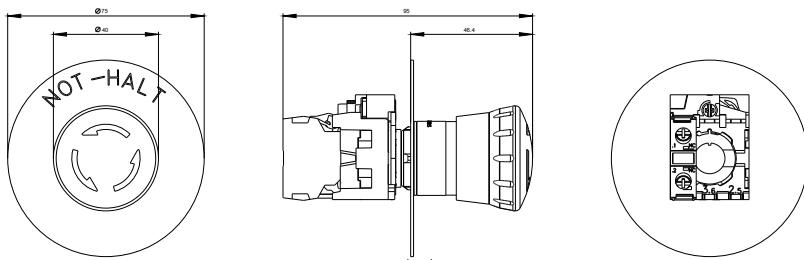
<http://support.automation.siemens.com/WW/CAXorder/default.aspx?lang=en&mlfb=3SU11001HB201CH0>

**Service&Support (Manuals, Certificates, Characteristics, FAQs,...)**

<http://support.automation.siemens.com/WW/view/en/3SU11001HB201CH0/all>

**Image database (product images, 2D dimension drawings, 3D models, device circuit diagrams, EPLAN macros, ...)**

[http://www.automation.siemens.com/bilddb/cax\\_de.aspx?mlfb=3SU11001HB201CH0&lang=en](http://www.automation.siemens.com/bilddb/cax_de.aspx?mlfb=3SU11001HB201CH0&lang=en)



last modified:

09.03.2015