

E-Pack Installation Instructions

Enclosed Contactors Issue 8



IEC 947-4-1



Features

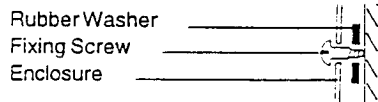
An extensive range of contactors, in ratings up to 200 Amps, for switching three-phase heating and lighting loads. Available with d.c. coil and rectifier for quiet operation from 240V a.c. supply. All contactors are fitted into IP65 enclosures complete with neutral terminal strip.

Cable Capacities

Reference	Main	Auxiliaries
HL25	1x4mm ² or 2x2.5mm ²	
HL45	1x10mm ² or 2x6mm ²	1x4mm ² or 2x2.5mm ²
HL63,HL80 HL100	1x35mm ² or 2x16mm ²	
HL180,HL200	80mm ² lug	

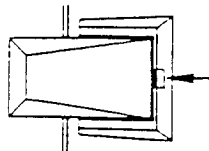
Installation

1. Remove cover by releasing catches with a screwdriver.
2. Check operating coil voltage and frequency.
3. Remove appropriate top/bottom conduit knockouts.
4. Mount base on a vertical surface using top keyhole slot for quick positioning and secure with screws in lower plain holes. To maintain environmental protection ensure that rubber washers are fitted to fixing screws on outside of enclosure. Use large washer for keyhole fixing.



5. Connect conduit bushes.
6. Connect cables and ensure that all terminals are tight. Refer below for details.
7. Replace cover and secure catches.

Insert screwdriver into slot to release catch

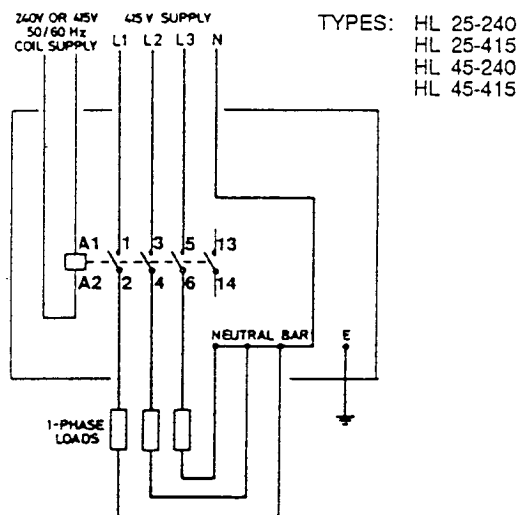


* Note:

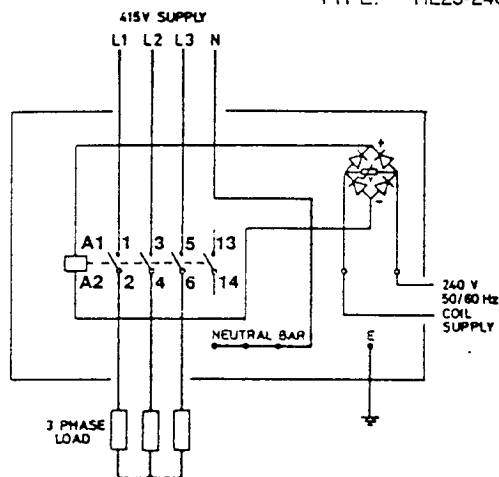
Coil connection (d.c.)

When d.c. operated contactors are used in conjunction with a d.c. coil, economy resistor and 'late-break' contact, then a 4mm minimum clearance between resistor and contactor, with 10mm between resistor and 'late-break' contact housing, is essential

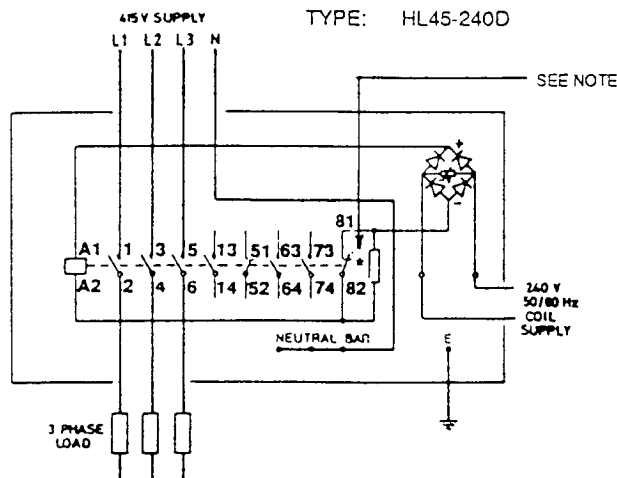
Typical Circuit Connections



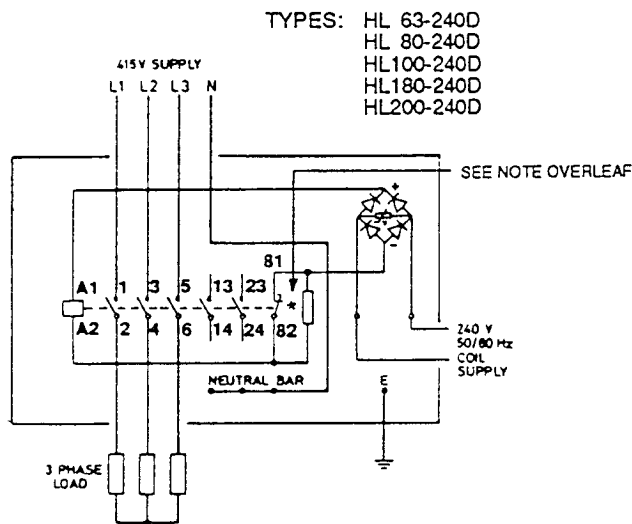
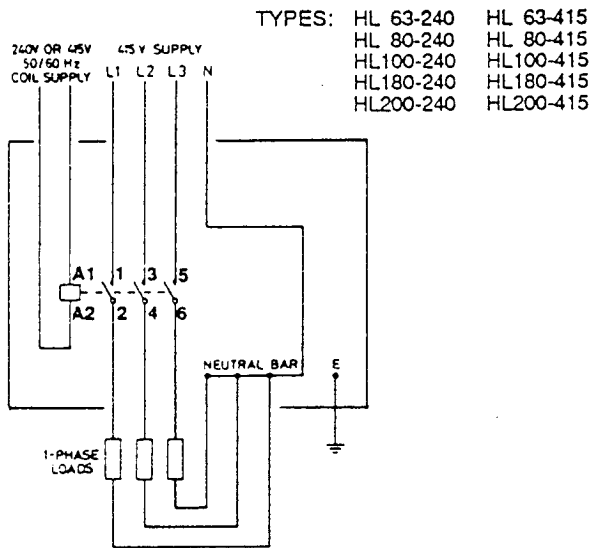
TYPE: HL25-240D



TYPE: HL45-240D

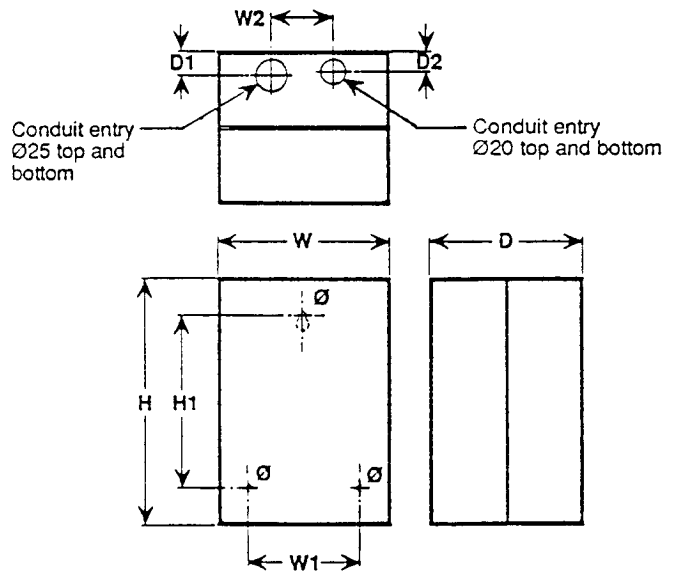


Typical Circuit Connections continued



Dimensions (mm)

Type	H	H1	W	W1	W2	D	D1	D2	Ø
HL25	200	140	140	90	50	138	18,5	16	6
HL45									
HL63	240	190	170	120	60	153	18,5	16	6
HL80									
HL100									
HL180	400	350	200	150	80	183	18,5	16	6
HL200									



Council of European Communities Directive: The products in this publication conform to relevant EEC Directives and EN Standards. Installation and use of such products must be carried out by competent, properly trained personnel, complying with any instructions supplied by MTE. Liability for improper incorporation, assembly, use, processing, storing or handling of goods remains the sole responsibility of the individual, or company carrying out such work. This publication is for information only. Whilst every care has been taken in the preparation of this publication, no liability is accepted for any consequence of its use. No licence to use any patent should be assumed. All dimensions quoted are approximate only and subject to change without notice, as are other technical features resulting from continual development and improvement.

06 11081 000 /8E /796 /WA



MTE Limited
 Stephenson Road Leigh-On-Sea Essex SS9 5LS
 Telephone 01702 421124 Fax 01702 421449