

# DATASHEET

**ITEM: 39030CC**

**WHEEL U 160X40/50 47X17 BB 20+HT GREASE**

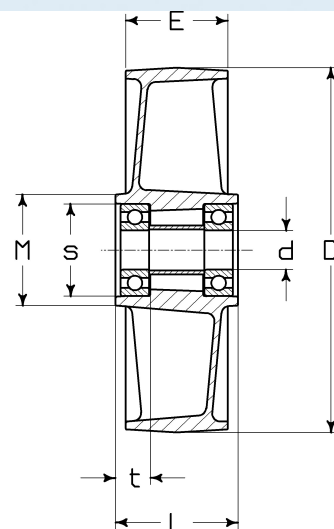
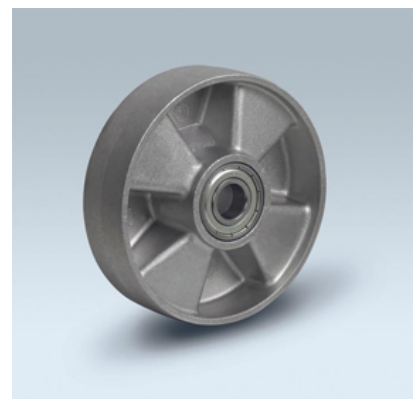
## WHEEL SERIE

Monolithic aluminium wheels, suitable for high temp applications; available with ball bearings.

Wheel fitted with ball bearings.

## TECHNICAL DETAILS

Wheel diameter	(D)	160 mm
Tyre width	(E)	40 mm
Bearing seat diameter	(s)	47 mm
Bore diameter	(d)	20 mm
Reference weight		0,84 kg
Hub width	(L)	60 mm
Load capacity		400 kg



### GENERAL INFORMATION / RECOMMENDATIONS AND WARNINGS

The cited text and the complete catalogue in their most up-dated versions are available in our web-site [www.lagspa.eu/web/downloads](http://www.lagspa.eu/web/downloads). The dimensions, descriptions, specifications and illustrations herein are indicative and subject to variations without notice. The fact that products are illustrated herein does not necessarily imply they are available from stock nor does it place us under any obligation to supply them. Tests carried out refer to the original products with original accessories: the replacement of one of the components with others of different manufacture might prevent the same results from being achieved and will automatically invalidate any guarantee. Please contact our technical service concerning any special application.