

# LED-4W/350mA

SPECIFICATIONS

## Standards

Converter meets CE standards  
 Approved by UL as a class 2 recognized component  
 File # E193999  
 VDE and VDE EMV approval  
 IP67

## Available Versions

901004350-LED 4W DC 350mA  
 (European version)  
 901004350U-LED 4W DC 350mA  
 (USA version)

## Mechanical and Thermal

**European version**  
 Dimensions(mm)            45 x 45 x 25  
 Weight                         92.8 grams  
 Tc Max                         70°C  
 Ta Max                         50°C  
 Output wire –                18AWG 200°C  
 Input wire – Blue, Brown FEP/FEP  
 0.75mm<sup>2</sup> 300/500V 180°C  
 Waterproof potting

**USA version**  
 Dimensions (in)            1.77 x 1.77 x 0.98  
 Weight                         3.2 ounces  
 Tc Max                         90°C  
 Ta Max                         50°C  
 Output wire –                18AWG 200°C  
 Input wire – Blue, Brown UL type 1332  
 or similar 18 AWG 300V 200°C  
 Waterproof potting

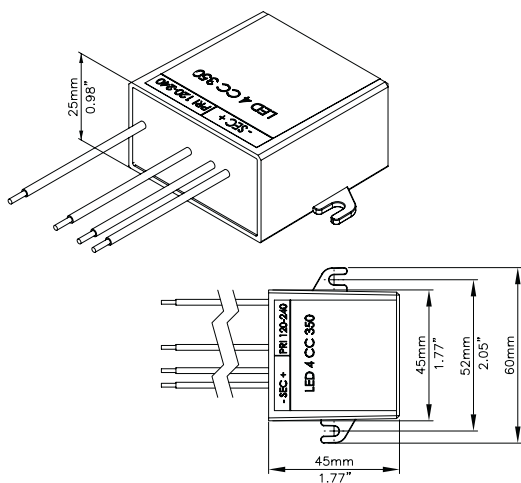


## Electrical

Load	1-4VA
Input	100-240V 0/50/60Hz
Output current	350mA±8%
Output voltage	2-14V
EMC (RFI)	FCC Class B/EN 55015
Harmonics	EN 61000-3-2
Electrostatic Discharge	IEC61000-4-2
EMC Immunity	IEC61000-4-3
Burst	IEC61000-4-4
Surge	IEC61000-4-5
Injected RF	IEC61000-4-6
Mains interruption	IEC61000-4-11
Immunity	EN 61547/61047
Safety	EN 61347-2-2
SELV	

## Protection and Regulation

Electronic internal resettable short circuit protection. Thermal protection and overload regulation.

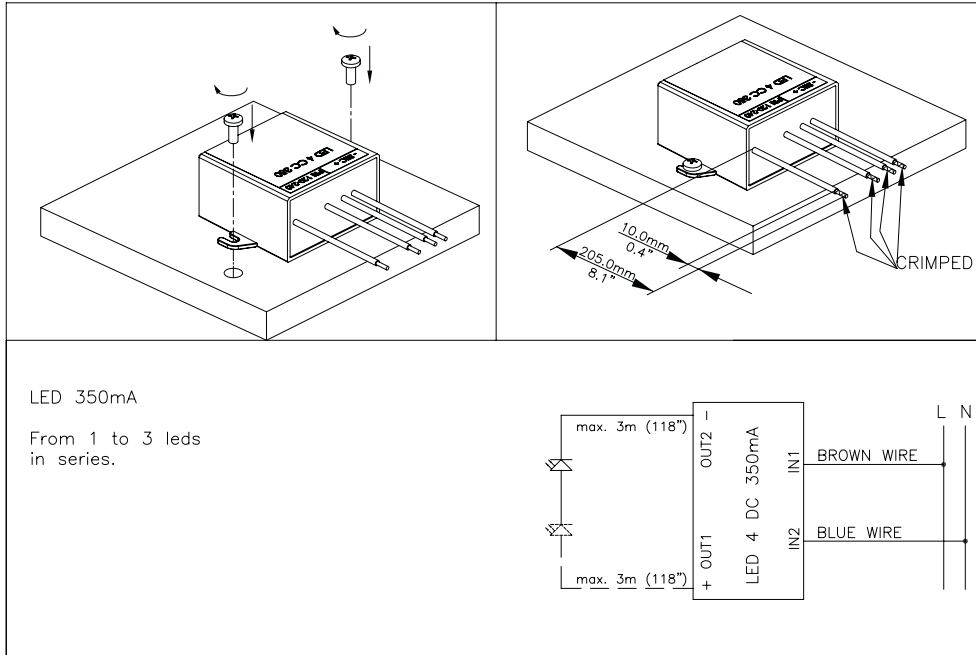


See reverse side for more information →



# LED-4W/350mA

## Mounting Instructions



## Safety Instructions:

1. Always disconnect power before installation and/or removal of the unit.
2. Install in accordance with national and local electrical codes.
3. Wires: Input and output wires 0.75mm<sup>2</sup> or 18AWG.