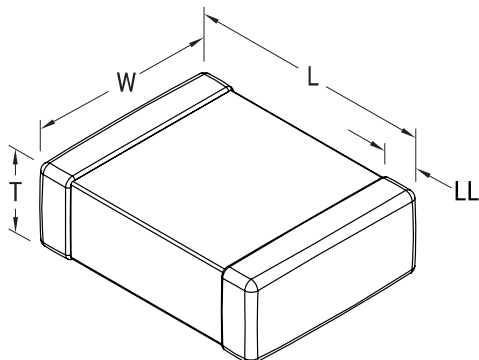


KEMET, L-RMS, RF, 10 nH, 5%



| Dimensions | |
|------------|-----------------|
| Chip Size | 0603 |
| L | 1.6mm +/-0.15mm |
| W | 0.8mm +/-0.15mm |
| T | 0.8mm +/-0.15mm |
| LL | 0.3mm +/-0.2mm |

| Packaging Specifications | |
|--------------------------|------|
| Packaging: | T&R |
| Packaging Quantity: | 4000 |

| General Information | |
|---------------------|------------------------|
| Series: | L-RMS |
| Style: | SMD Chip |
| Description: | Surface Mount Inductor |
| RoHS: | Yes |
| Core: | Ceramic |
| Winding Type: | Multilayer |

| Specifications | |
|--------------------------|---|
| Inductance: | 0.01 uH (100 MHz) |
| Inductance Tolerance: | 5% |
| Temperature Range: | -40/+85C |
| Current: | 300 mAmps (MAX) |
| DC Resistance: | 0.26 Ohms |
| Quality Factor: | 14 at 100 MHz, 34 at 500 MHz, 43 at 800 MHz, 47 at 1000 MHz |
| Self-Resonant Frequency: | 3400 MHz |