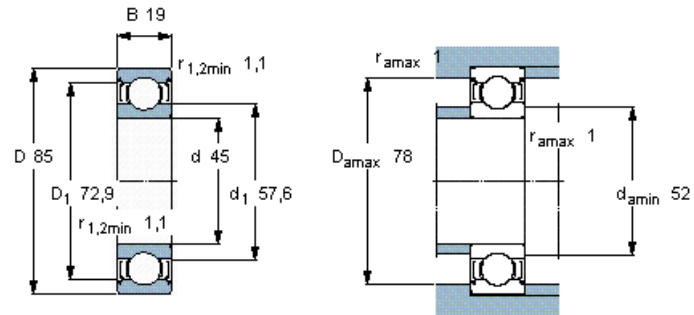


# Deep groove ball bearings, single row, SKF Energy Efficient (E2) bearings



Principal dimensions			Basic load ratings		Fatigue load limit $P_u$	Speed ratings		Mass	Designation
d	D	B	dynamic	static		Reference speed	Limiting speed		
mm			kN		kN	r/min		kg	-
45	85	19	32,5	20,4	0,865	18000	9900	0,41	E2.6209-2Z/C3



### Calculation factors

$k_r$  0,025  
 $f_0$  14