

Principle Applications

Designed for hot & cold drinks vending, water circulation, re-circulation & cooling duties in beverage, laboratory, agricultural, print, photographic & industrial processing applications and other short time rated applications.
12 Volt & 24 Volt versions to suit vehicular applications

Wetted Materials

Standard EPDM 'O' ring, optional Nitrile or Viton®
PP encapsulated magnet
Alumina ceramic spindle
PP pump housing
PPS option available

Features

Magnetically coupled, sealless leak-free design
Pump body orientation easily altered to suit installations
Variable mounting foot positions
Lifts to 10 metres

Options

DC 40/10
12V DC
24V DC

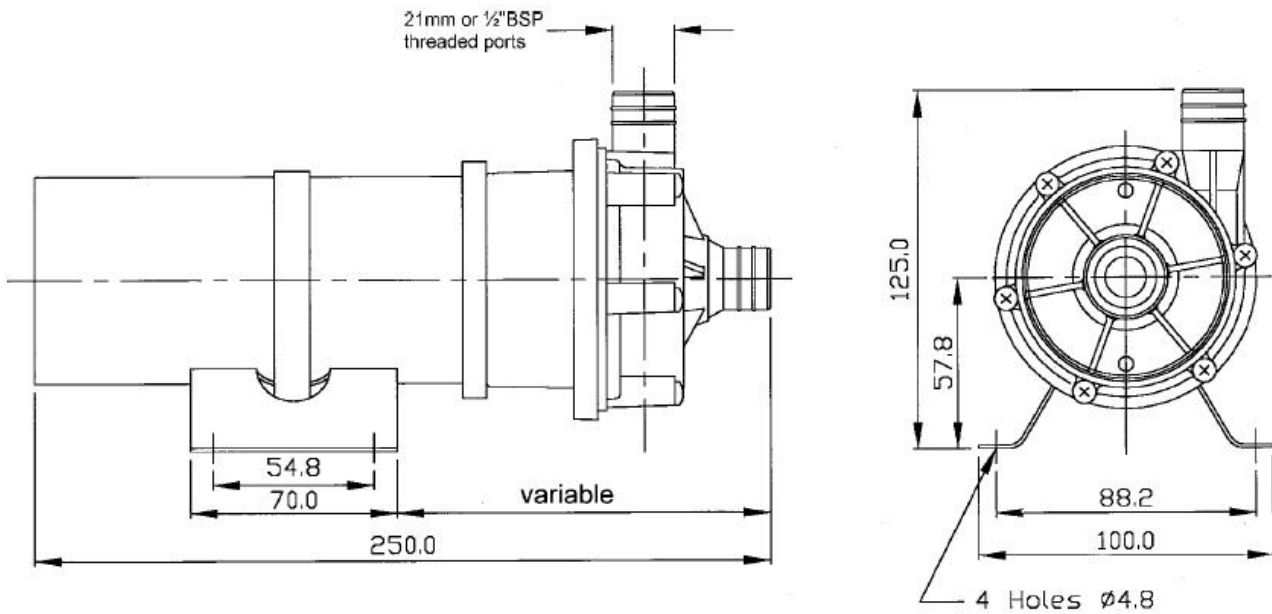
Port Details

1/2" BSP OR Plain 21 mm
1/2" BSP OR Plain 21 mm

Installation

Drawings not to scale
 Dimensions in millimetres

DC40/10

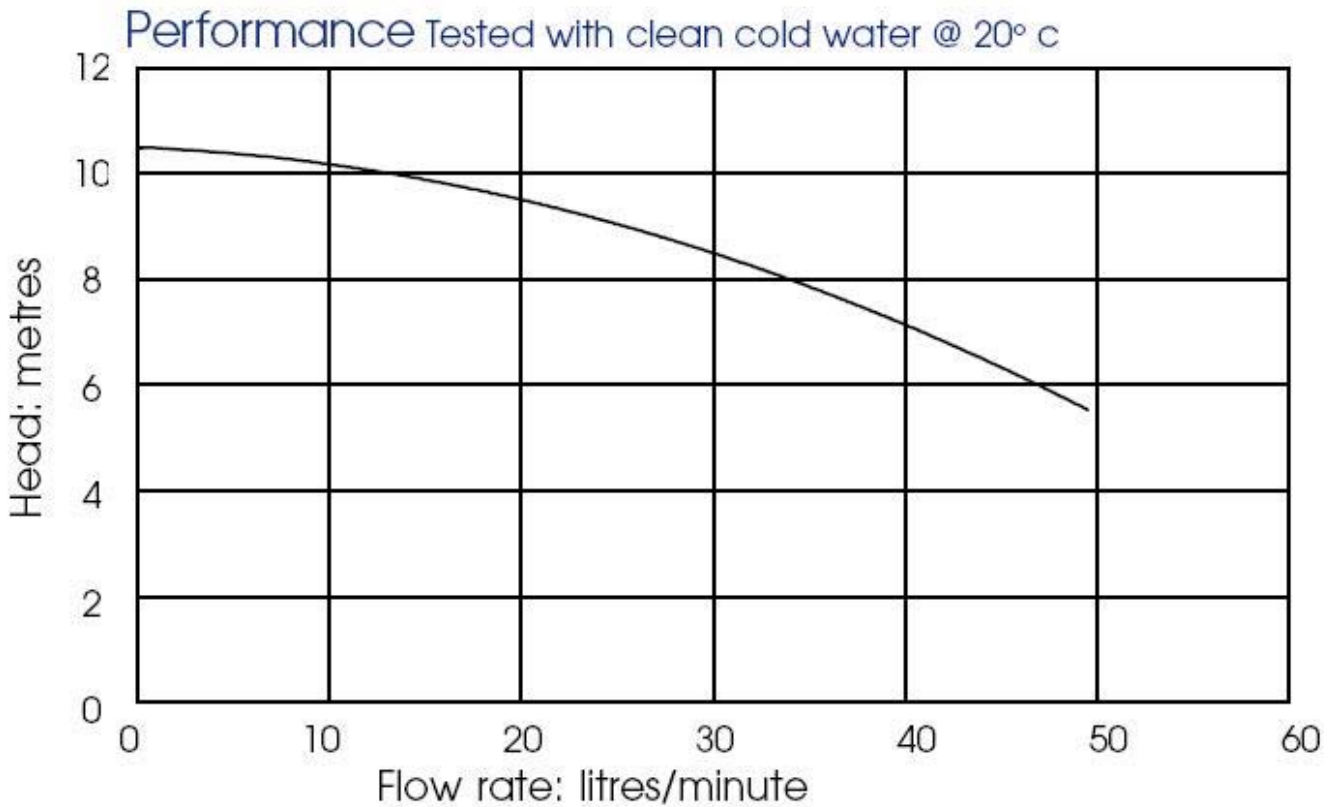


Specification

Model	Overall height (mm)	Overall length (mm)	Overall width (mm)	Weight (kg)	Max body pressure (bar)	Max capacity (l/min)	Max head (m)	Temp range (degC)	*Max specific gravity	Motor output (watts)
DC 40/10	130	220	97	2.6	1.4	50	10.8	-20 to +85	1.0	65

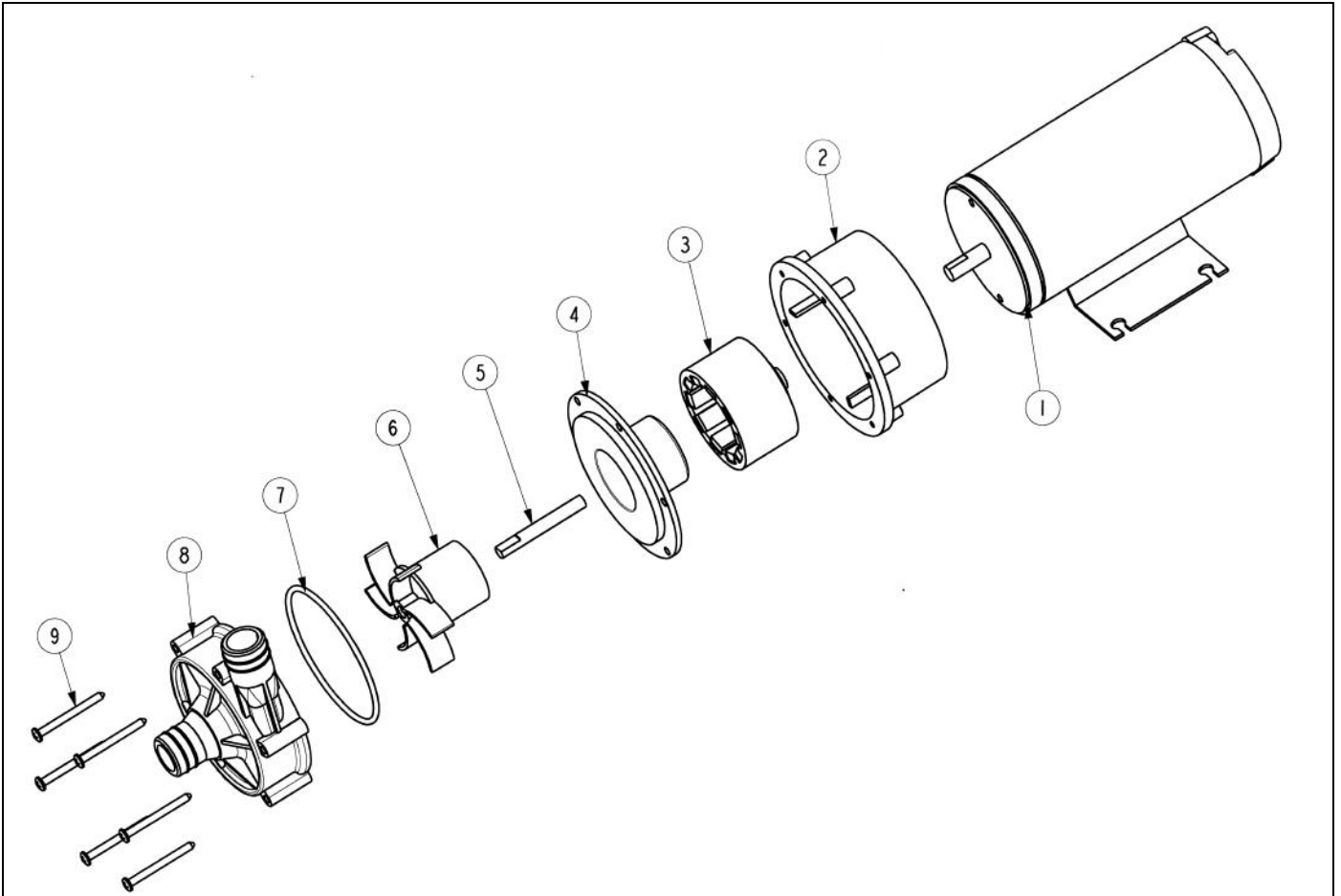
*Assuming maximum viscosity of 30cp. Refer to Totton Pumps for higher viscosities and specific gravities

Performance



DC pumps are not self priming and are not designed to run dry.
 The company reserves the right change specifications.

Part List



Item Number	Description	Quantity	Part Number		
1	Motor	1	116818 (12V)		016802 (24V)
2	Adaptor	1	002053		
3	Drive Magnet	1	016541		
4	Spindle Housing	1	016351		
5	Spindle	1	006244		
6	Impeller	1	016355		
7	O-ring	1	013290 (EPDM)	021056 (Viton)	003398 (Nitrile)
8	Pump Body	1	016358 (plain)		006360 (threaded)
9	Screw	6	012020		

Totton Pumps Ltd.

Tel: +44 (0) 23 8066 6685

Fax: +44 (0) 23 8066 6880

Email: info@totton-pumps.com

Web: www.totton-pumps.co.uk