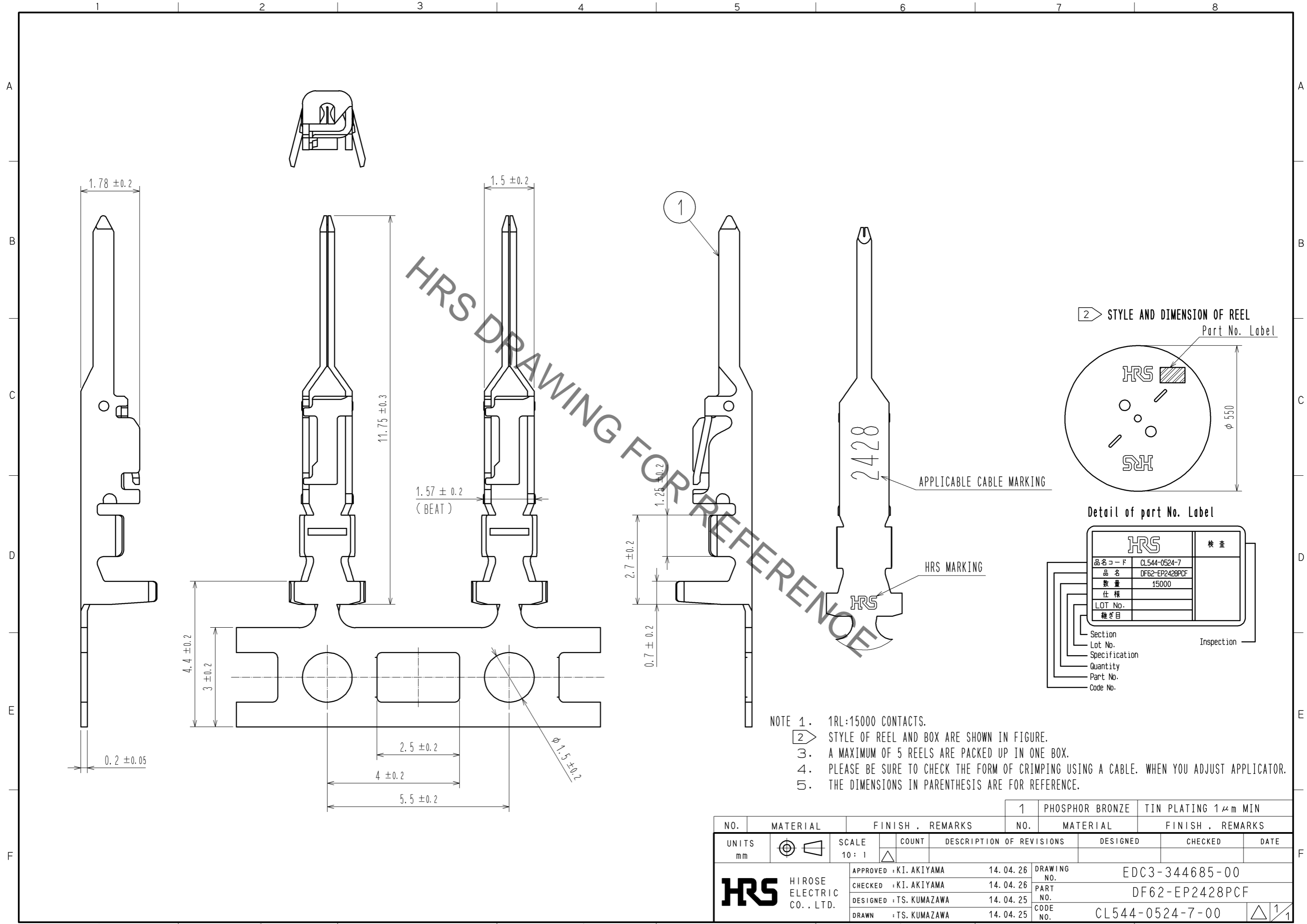


Sep.1.2019 Copyright 2019 HIROSE ELECTRIC CO., LTD. All Rights Reserved.
In case of consideration for using Automotive equipment / device which demand high reliability, kindly contact our sales window correspondents.



- NOTE 1. 1RL:15000 CONTACTS.
 2. STYLE OF REEL AND BOX ARE SHOWN IN FIGURE.
 3. A MAXIMUM OF 5 REELS ARE PACKED UP IN ONE BOX.
 4. PLEASE BE SURE TO CHECK THE FORM OF CRIMPING USING A CABLE. WHEN YOU ADJUST APPLICATOR.
 5. THE DIMENSIONS IN PARENTHESIS ARE FOR REFERENCE.

NO.	MATERIAL	FINISH	REMARKS	NO.	MATERIAL	FINISH	REMARKS	
				1	PHOSPHOR BRONZE	TIN PLATING	1 μm MIN	
UNITS mm		SCALE 10:1	COUNT 	DESCRIPTION OF REVISIONS		DESIGNED	CHECKED	DATE
HRS HIROSE ELECTRIC CO., LTD.		APPROVED : KI. AKIYAMA	14. 04. 26	DRAWING NO.		EDC3-344685-00		
		CHECKED : KI. AKIYAMA	14. 04. 26	PART NO.		DF62-EP2428PCF		
		DESIGNED : TS. KUMAZAWA	14. 04. 25	CODE NO.		CL544-0524-7-00		
		DRAWN : TS. KUMAZAWA	14. 04. 25			1/1		