



Comp.dev.Emer.stop/em.swit.off but.encl.



Powering Business Worldwide™

Part no.

M22-PVS/KC11/IY

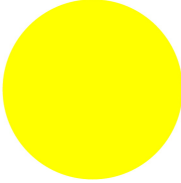
Article no.

216523

Catalog No.

M22-PVS-KC11-IYQ

Delivery programme


Product range			RMQ-Titan (drilling dimensions 22.5 mm)
Basic function			Emergency stop buttons
Single unit/Complete unit			Complete unit
Description			With 1 key Lock mechanism MS1
Mushroom colour (yellow base)			Yellow
Mushroom colour (yellow base)			
Function			Pull-release
Number of locations		Qty.	1
Contacts			
N/O = Normally open			1 N/O
Contact sequence			
RAL Value			RAL 1004
Front ring			Bezel: Silver
Connection to SmartWire-DT			no

Approvals

Product Standards
UL File No.
UL Category Control No.
CSA File No.
CSA Class No.
North America Certification
Degree of Protection

IEC/EN 60947-5; UL 508; CSA-C22.2 No. 14-05; CSA-C22.2 No. 94-91; CE marking
E29184
NKCR
012528
3211-03
UL listed, CSA certified
UL/CSA Type 3R, 4X, 12, 13

General

Standards			IEC/EN 60947 VDE 0660
Lifespan, mechanical	Operations	x 10 ⁶	> 0.1
Operating frequency	Operations/ h		 600
Actuating force		n	50
Protection type			IP67, IP69K
Climatic proofing			Damp heat, constant, to IEC 60068-2-78 Damp heat, cyclic, to IEC 60068-2-30
Ambient temperature		°C	
Open		°C	- 25 - + 70

Mounting position		As required
Mechanical shock resistance	g	50 Shock duration 11 ms Sinusoidal according to IEC 60068-2-27

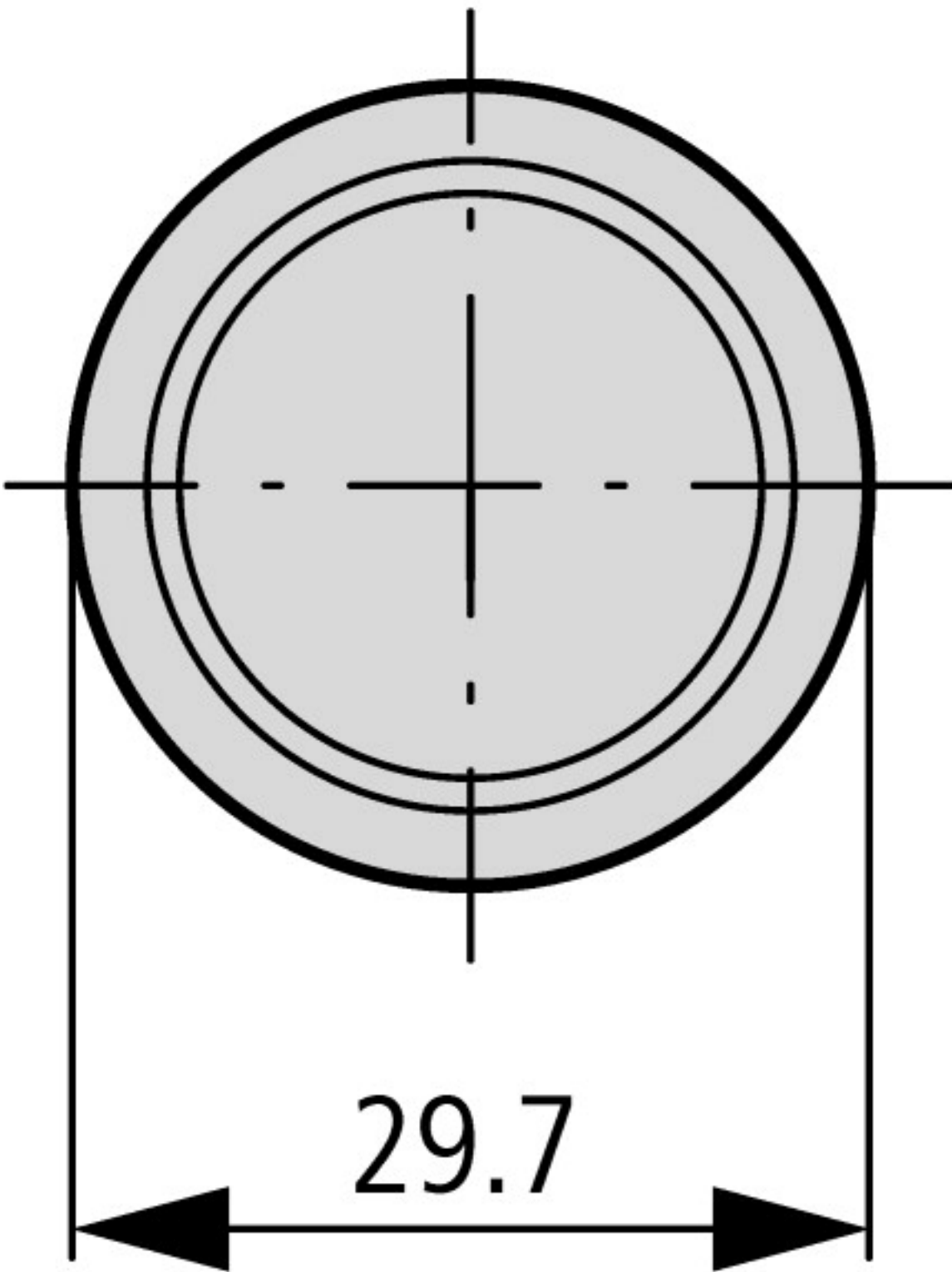
Technical data ETIM 5.0

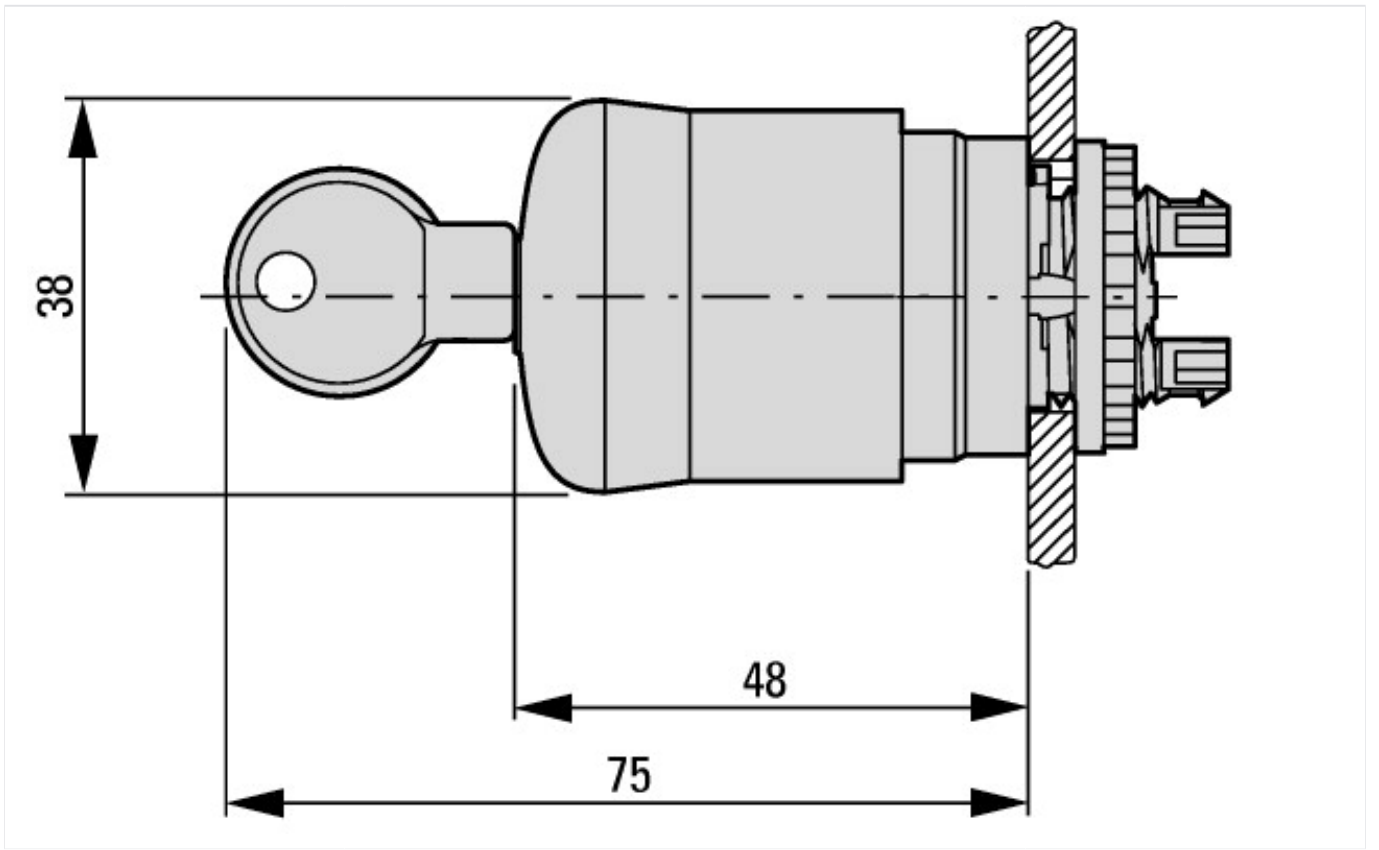
Low-voltage industrial components (EG000017) / Emergency stop complete (EC002034)

Electric engineering, automation, process control engineering / Low-voltage switch technology / Command and alarm device / EMERGENCY-STOP pushbutton, complete device (ecl@ss8-27-37-12-44 [ACN986007])

Unlocking method		Pull release
Number of contacts as normally closed contact		1
Number of contacts as normally open contact		1
Degree of protection (IP)		-
Mounting method		Surface mounting
With lighting		No
Hole diameter	mm	22
Connection type auxiliary circuit		Spring clamp connection

Dimensions





Additional product information (links)

IL04716002Z (AWA1160-1745) RMQ-Titan System

IL04716002Z (AWA1160-1745) RMQ-Titan System

ftp://ftp.moeller.net/DOCUMENTATION/AWA_INSTRUCTIONS/IL04716002Z2013_08.pdf