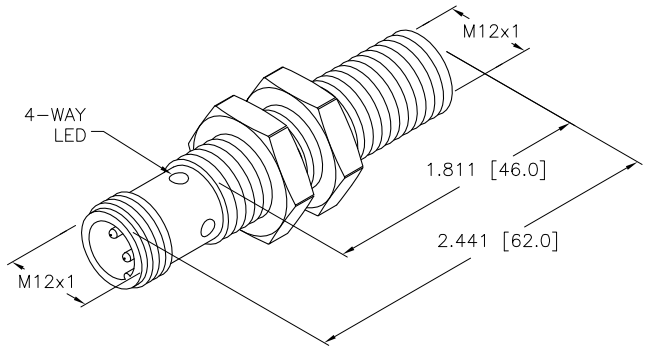


SPECIFICATIONS	
RATED OPERATING DISTANCE	2mm [.079"]
MOUNTING MODE	FLUSH
HYSTERESIS	1-10%
TEMPERATURE DRIFT	≤ ± 10%
MIN. REPEAT ACCURACY	≤ 2.0%
OPERATING TEMPERATURE	-25°C to +70°C (-13°F to +158°F)
OUTPUT FUNCTION	2-WIRE, NAMUR
OPERATING VOLTAGE	8.2 VDC
NON-ACTUATED CURRENT CONSUMPTION	≥ 2.1 mA
ACTUATED CURRENT CONSUMPTION	≤ 1.2 mA
SWITCHING FREQUENCY	≤ 5.0 kHz
APPROVAL ACCORDING TO:	KEMA 02 ATEX 1090X
INTERNAL INDUCTANCE (L _i)/CAPACITANCE (C _i)	150 nF/150 μH
MARKING ON THE DEVICE	⊕ II 1 G Ex ia IIC T6/II 1 D Ex ia D 20 T 115°C (max. U _i = 20 V, I _i = 20 mA, P _i = 200 mW)
HOUSING MATERIAL	METAL, V2A (1.4301)
ACTIVE FACE MATERIAL	PLASTIC, PA12-GF30
CONNECTION	M12x1
SHOCK RESISTANCE	30 g, 11 ms
VIBRATION RESISTANCE	55 Hz, 1 mm AMPLITUDE (IN ALL 3 PLANES)
DEGREE OF PROTECTION	IP67
SWITCHING STATUS INDICATION	LED; YELLOW



SOURCE DRAWING - FOR REFERENCE ONLY

RELATED DOCUMENTS		3RD ANGLE PROJECTION		THIS DRAWING IS CONFIDENTIAL AND THE PROPERTY OF TURCK INC. USE OF THIS DOCUMENT WITHOUT WRITTEN PERMISSION IS PROHIBITED.		 High Technology Sensors and Automation Controls		3000 CAMPUS DRIVE MINNEAPOLIS, MN 55441 1-800-544-7769 (763) 553-7300 (763) 553-0708 fax turck.com	
1.				DRFT	RDS	DATE	01/05/12	DESCRIPTION BI 2-M12E-YOX-H1141	
2.				APVD	J.M.	SCALE	1=1.0		
3.		ALL DIMENSIONS DISPLAYED ON THIS DRAWING ARE FOR REFERENCE ONLY		UNIT OF MEASUREMENT		IDENTIFICATION NO. T4606490		REV A	
4.				INCH [MILLIMETER]					
MATERIAL		CONTACT TURCK FOR MORE INFORMATION		DO NOT SCALE THIS DRAWING		FILE: T4606490		SHEET 1 OF 1	
FINISH									

A	DRAWING RELEASE	RDS	01/05/12	
REV	DESCRIPTION	BY	DATE	ECO NO.