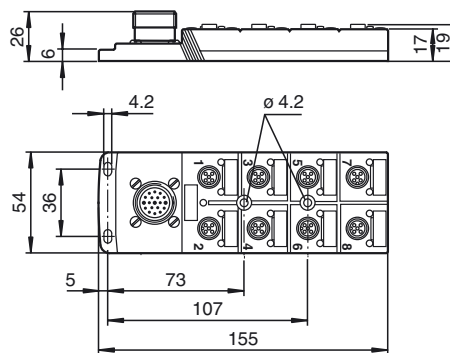




Dimensions



Model Number

V1-8A-M23
Splitter box octuple with M23 connector

Features

- Fast, flexible installation/separation
- Degree of protection IP67

Accessories

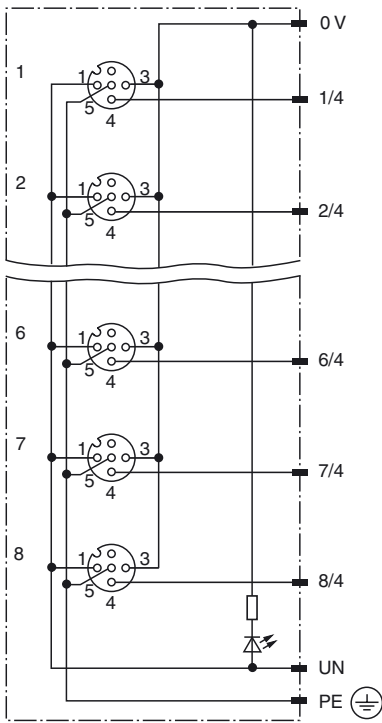
- VAZ-V1-B3**
Blind plug for M12 sockets
- MH 05-SACB-8**
Mounting aid for DIN rail
- MH V1-SCREWDRIVER**
torque screwdriver (0.4 Nm)
- MH V1-BIT M12**
plug-in cap M12
- V23-G-5M-PUR**
Female cordset, M23, 12-pin, PUR cable
- V23-G-10M-PUR**
Female cordset, M23, 12-pin, PUR cable

Technical data

| | |
|---|--|
| General specifications | |
| Number of pins | 4 |
| Indicators/operating means | |
| LED green | supply voltage each module |
| Electrical specifications | |
| Operating voltage | U_B 120 V DC, max. 135 V DC |
| Operating current | ≤ 5 mA per channel indication element |
| Current loading capacity | ≤ 2 A per channel, ≤ 4 A per plug-in station, ≤ 12 A total current per separator |
| Ambient conditions | |
| Ambient temperature | -20 ... 75 °C (-4 ... 167 °F) |
| Mechanical specifications | |
| Connection type | 8 x socket M12 x 1 4-pin 1 x Male connector M23 |
| Degree of protection | IP65/IP67 |
| Material | |
| Contacts | CuSn |
| Contact surface | Ni/Au |
| Housing | PA |
| Seal | O-ring: NBR |
| Mass | approx. 134 g |
| Flammability | 94 V-0 |
| Compliance with standards and directives | |
| Standard conformity | |
| Degree of protection | EN 60529 |

Release date: 2014-10-30 11:56 Date of issue: 2014-10-30 189264_eng.xml

Electrical connection



| Slot/Pin (signal) | Pin M23 |
|-------------------|---------|
| 1 / 4 (A) | 1 |
| 2 / 4 (A) | 2 |
| 3 / 4 (A) | 3 |
| 4 / 4 (A) | 4 |
| 5 / 4 (A) | 5 |
| 6 / 4 (A) | 6 |
| 7 / 4 (A) | 7 |
| 8 / 4 (A) | 8 |
| 1-8 / 1 (UN) | 11 |
| 1-8 / 3 (0 V) | 9+10 |
| 1-8 / 5 (PE) | 12 |

