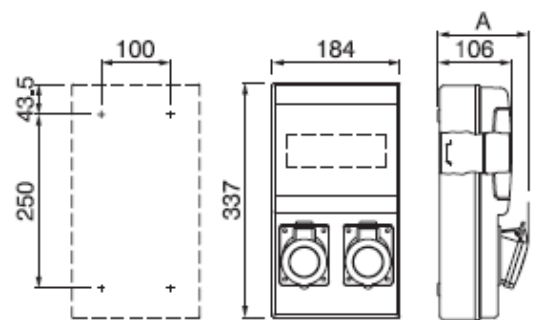


## Datasheet

# Industrial Power Socket

RS Stock number 410-094



### Specifications:

Rated current:	16A
Poles:	2P+E
Rated voltage:	400V
Working Frequency:	50Hz
Working Frequency:	60Hz
Colour:	Blue
Protection degree:	IP44
Version:	With protection appliance
RCD Protection:	Main switch with RCD