

Datasheet

Art.No. 58.504.5155.6

Feed-through terminal WT 4 D2/2 BL

Duo feed-through terminal block with 4 screw connections for mounting on TS 35; nominal cross section 4 mm²; width 6 mm; color blue



Art.No.	58.504.5155.6
EAN	4049088168147
Order unit	100 pieces

Approvals



Technical data

General

Nominal cross section	4 mm ²
Colour	Blue
Number of levels	1
Number of clamp positions per level	4
Width/grid dimension	6 mm
Insulating housing	PA666
Inflammability class of insulation material acc. with UL94	V0
Mounting method	DIN rail (top hat rail)
Terminal blocks for electrical installations	Yes

Technical data

Rated current	32 A
Rated voltage	500 V
Rated impulse voltage	6 kV
Pollution degree	3
Closing plate required	Yes
Type of insulation material	Thermoplastic
Length	68 mm
Width	6 mm
Height	49 mm

Connection Data

Connection type 1	Screw connection
-------------------	------------------

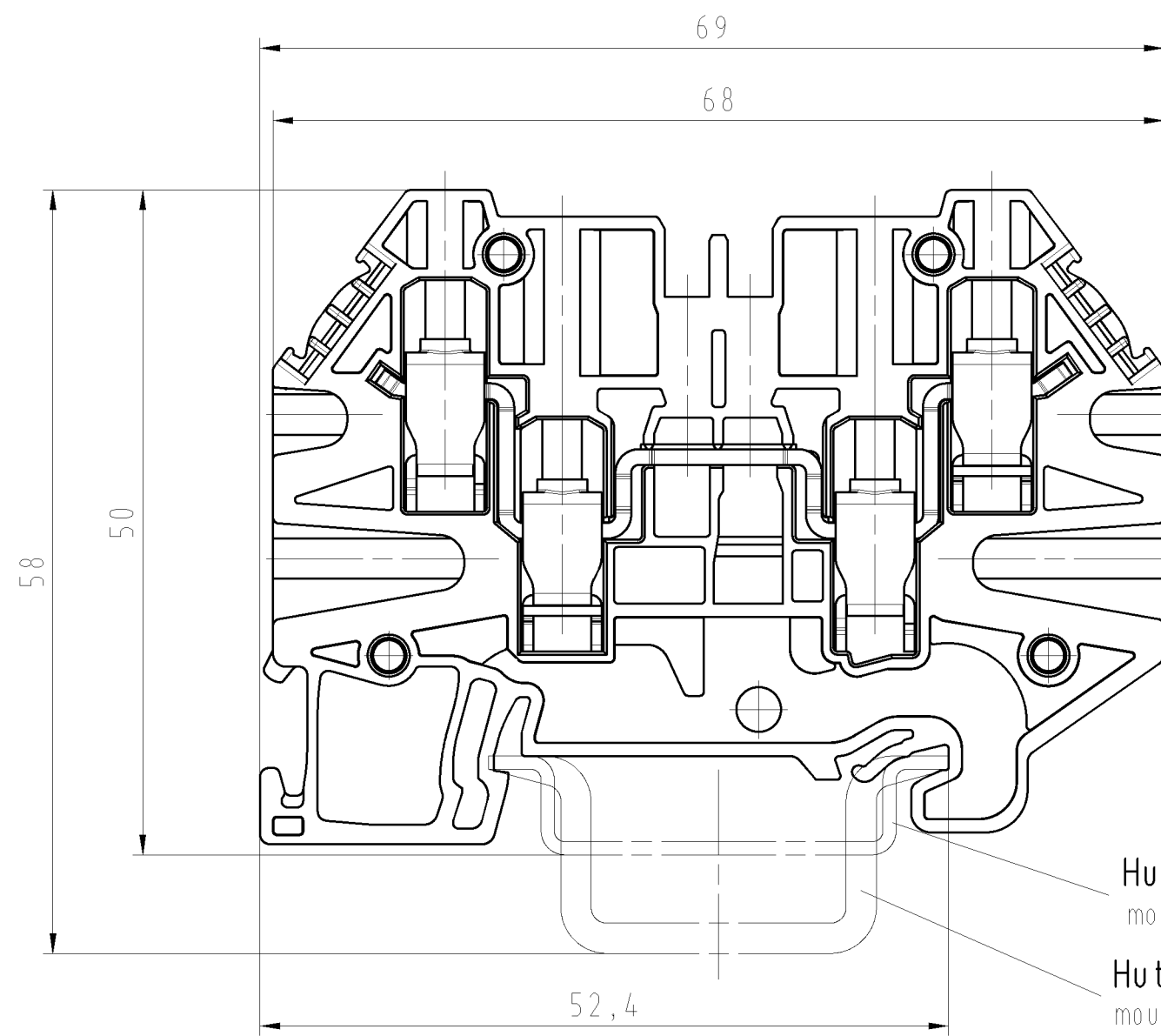
Connection type 2	Screw connection
Minimum cross section solid	0.14 mm ²
Maximum cross section solid	6 mm ²
Minimum cross section fine stranded	0.14 mm ²
Maximum cross section fine stranded	6 mm ²
Maximum conductor cross section (flex., stranded) with cable end sleeve	0.5 mm ²
Maximum conductor cross section (flex., stranded) with cable end sleeve	4 mm ²
Wire strip length	9 mm
Torque conductor mounting	0.5 Nm

Technical Data UL/CSA

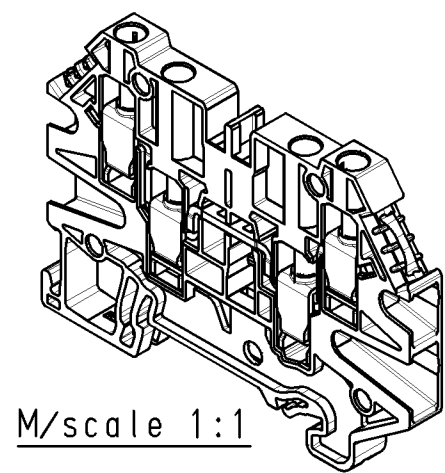
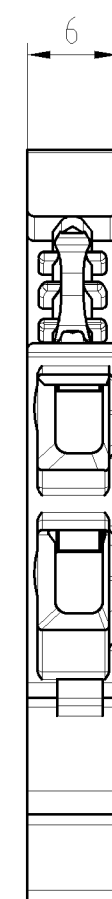
Cross section UL	26-10 AWG
Voltage UL	300 V
Current factory wiring	30 A
Current field wiring	30 A
Cross section CSA	26-10 AWG
Voltage CSA	300 V
Current CSA	30 A

These dimensions will be especially checked at delivery
 Only inspection dimensions
 With /E marked dimensions are only valid for internal use

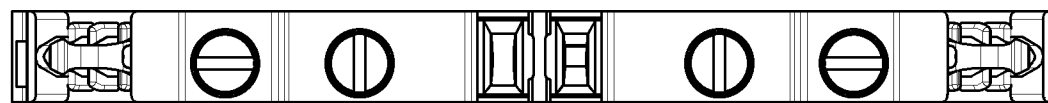
Diese Maße werden bei Abnahme besonders geprüft
 Ausschließlich Prüfmaße
 Mit /E gekennzeichnete Maße sind nur für interne Zwecke gültig



Hutschiene EN 60715-35x7,5
 mounting rail EN 60715-35x7,5
 Hutschiene EN 60715-35x15
 mounting rail EN 60715-35x15



M/scale 1:1



* = spezielle Verpackung / special package

Teile-Nr. part-no.	Farbe color
58.504.5155.0	grau grey
58.504.5155.6	blau blue
* 58.504.5195.0	grau grey
* 58.504.5195.6	blau blue

Tolerierung nach DIN 7167/Tolerance system acc. to DIN 7167. (This DIN-standard describes the envelope principle. According to the envelope principle the deviations of form and parallelism are limited by the size tolerances).				ja/yes <input checked="" type="checkbox"/> Stoffverbots- und Deklarationsliste nach UU-TOM-05/03 ist einzuhalten. Conformity with Wieland document UU-TOM-05/03 (list of prohibited / declarable hazardous substances) to be declared!			
Freitoleranz nach General tolerance		CAD - Zeichnung, keine manuellen Änderungen CAD - drawing, no manual modifications allowed		1. Verwendung: - First Use:		Blatt: 1 von 1 Sheet: of	
		Werkstoff/Material		2013	Tag/Date	Name	
				gezeichnet drawn	18.01.	Eller	
		Maßstab/Scale		geprüft checked	-	-	
		2:1		Normgepr. Stand. check	-	-	
		Vol. mm ³ Ofl./Surf. mm ²		Ersatz für/Replacement for: -			
		wieland		Type		Benennung/Title	
		Elektrische Verbindungen		WT 4 D2/2		DURCHGANGSKLEMME feed through terminal	
Index		Datum / Blatt Date / Sheet		Zeichnung Nr./Drawing No.			
Änderung/Revision				T 58.504.5155.0 01K			
				Maße in mm/Dimensions are in mm			

585045155001K_2_CADW3070_U0016728_2013-01-21T12:37:59 1.000

1
2
3
4
5
6
7
8
9
10
11
12
13
14
15
16
17
18
19
20
M1
M2
M3
L
G
1.1
2.1
1.1