

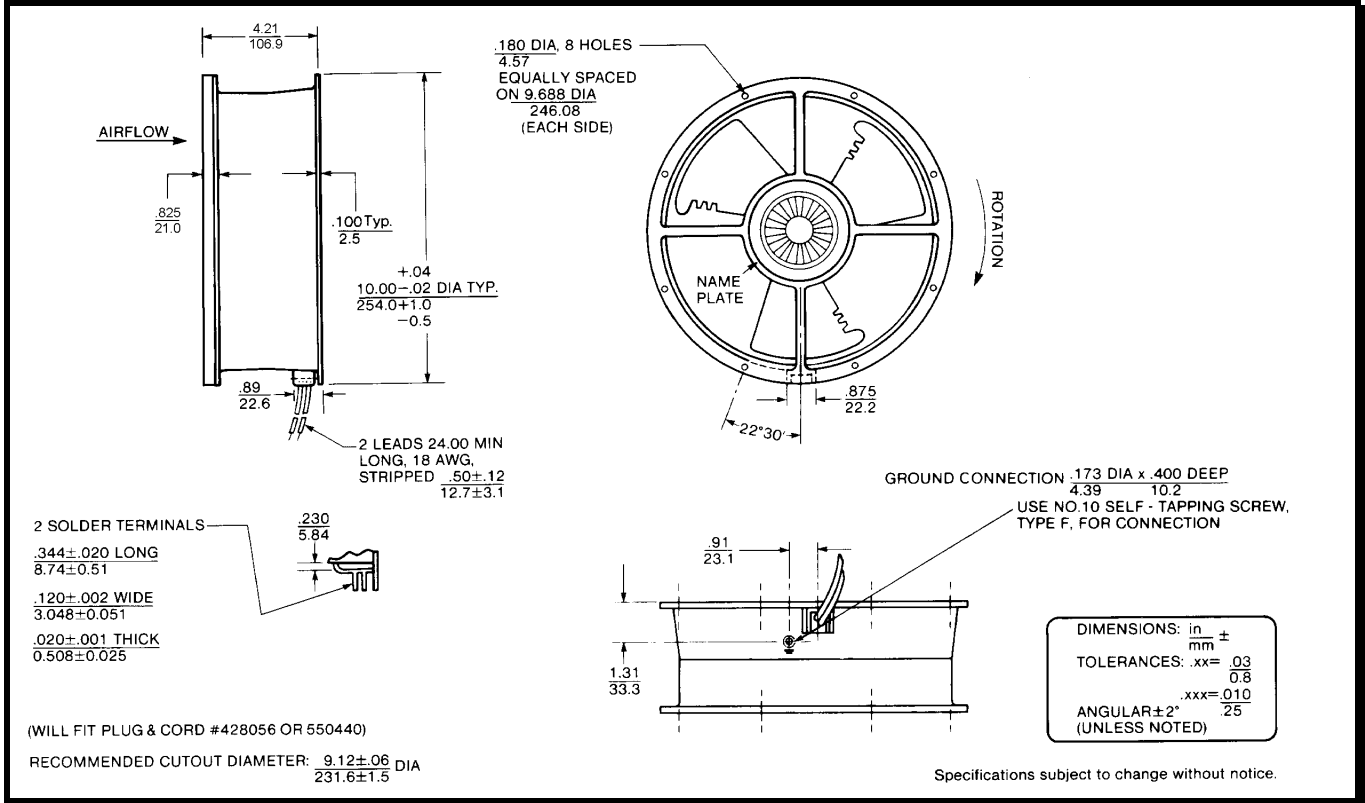
# SPECIFICATIONS



**Model Number:** CLE2L5  
**Part Number:** 19039305A

Apr. 01, 2016

## Mechanical Drawing:



### Motor:

Nominal Voltage	=	115 VAC
Frequency	=	60 Hz
Nominal Running Current	=	1.30 amps
Max. Locked Rotor Current	=	1.70 amps
Running Power	=	115 watts
Average Speed	=	2400 RPM
Bearings	=	Ball
Air Flow	=	825 CFM
Acoustic	=	60.0 dBA

### Construction:

Venturi: Aluminum, Black.  
 Propeller: Plastic, Black, UL 94V-0

### Life Expectancy:

This fan is designed for continuous duty life of 54,000 hours at 40°C.

### Additional Features:

Permanent Split Capacitor Motor  
 Automatic Reset Thermal Protector  
 Automatic Restart Capability  
 Operating Temperature: -10°C to 70°C  
 Storage Temperature: -40°C to 85°C

### Termination:

24" Lead wires, 18 AWG, UL 1015

### Agency Approvals:

UL, CE