



ENGLISH

## Datasheet

# Stainless Steel Manual Ball Valve

RS Stock number [764-4250](#)



### Features:

- Investment casting
- Blow-out proof stem
- Locking device
- Tapped and drilled mounting pad (option)
- TA-Luft approved (option)
- Length conform to DIN 3202/4-M3-2006SM3 (option)
- Thread type: ASME B1.20.1 (NPT) DIN2999 and BS21 ISO7/1 and EN10226

### Specifications:

- Attachment Type: Threaded
- Ball Material: Stainless Steel
- Body Material: Stainless Steel
- Handle Colour: Blue
- Handle Material: Stainless Steel
- Maximum Working Pressure: 1000 psi
- Safe for Use With: Gas, Oil and Water
- Thread Size: ½ in
- Thread Standard: BSPP
- Threaded Connection: ½ in

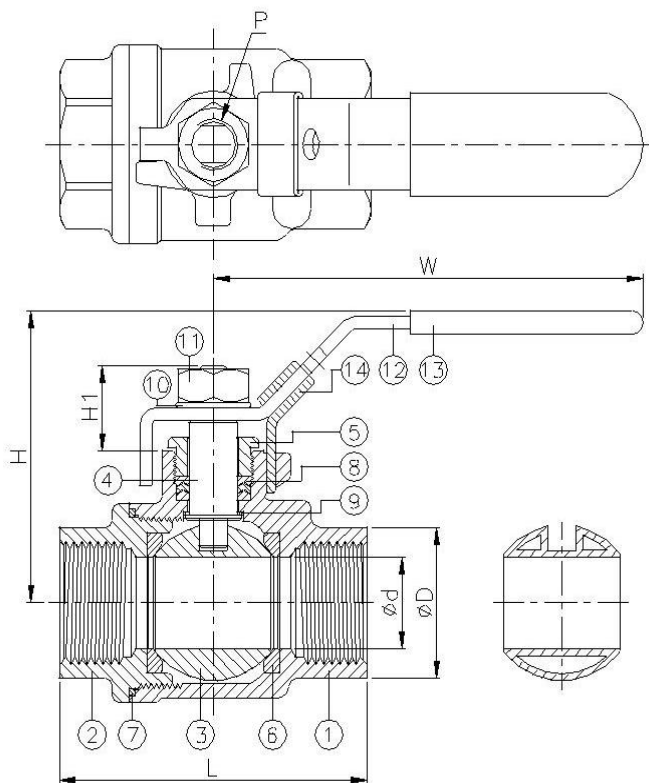


Figure 1

ITEM	PARTS	MATERIAL
1	BODY	ASTM A351-CF8M
2	CAP	ASTM A351-CF8M
3	SOLID BALL	ASTM A351-CF8M
	HOLLOW BALL	ASTM A240-316
4	STEM	ASTM A276-316
5	GLAND	AISI 304
6	SEAT	RTFE
7	SEAL	PTFE
8	PACKING	PTFE
9	THRUST WASHER	PTFE
10	SPRING WASHER	AISI 304
11	NUT	
12	HANDLE	STAINLESS STEEL
13	HANDLE SLEEVE	PVC
14	LOCKING DEVICE	STAINLESS STEEL



**Measurements:**

DN	d	D	L	H	H1	W	P	Torque (N-M)	Weight (kg)
15	15	26	58	58.5	18.5	100	3/8" – 24 UNF	5.5	0.3

The measurements in the above tables are given in mm unless otherwise stated. The data corresponds to the lettering given in Figure 1.