

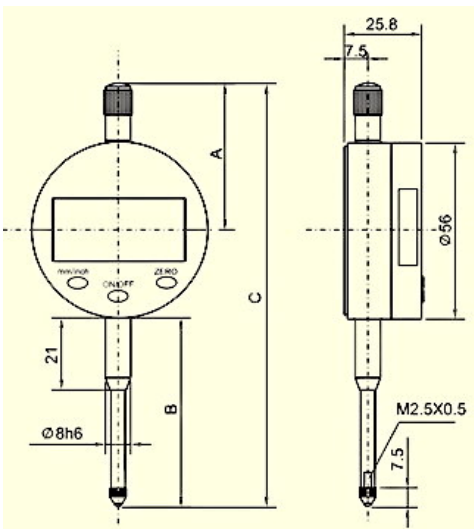
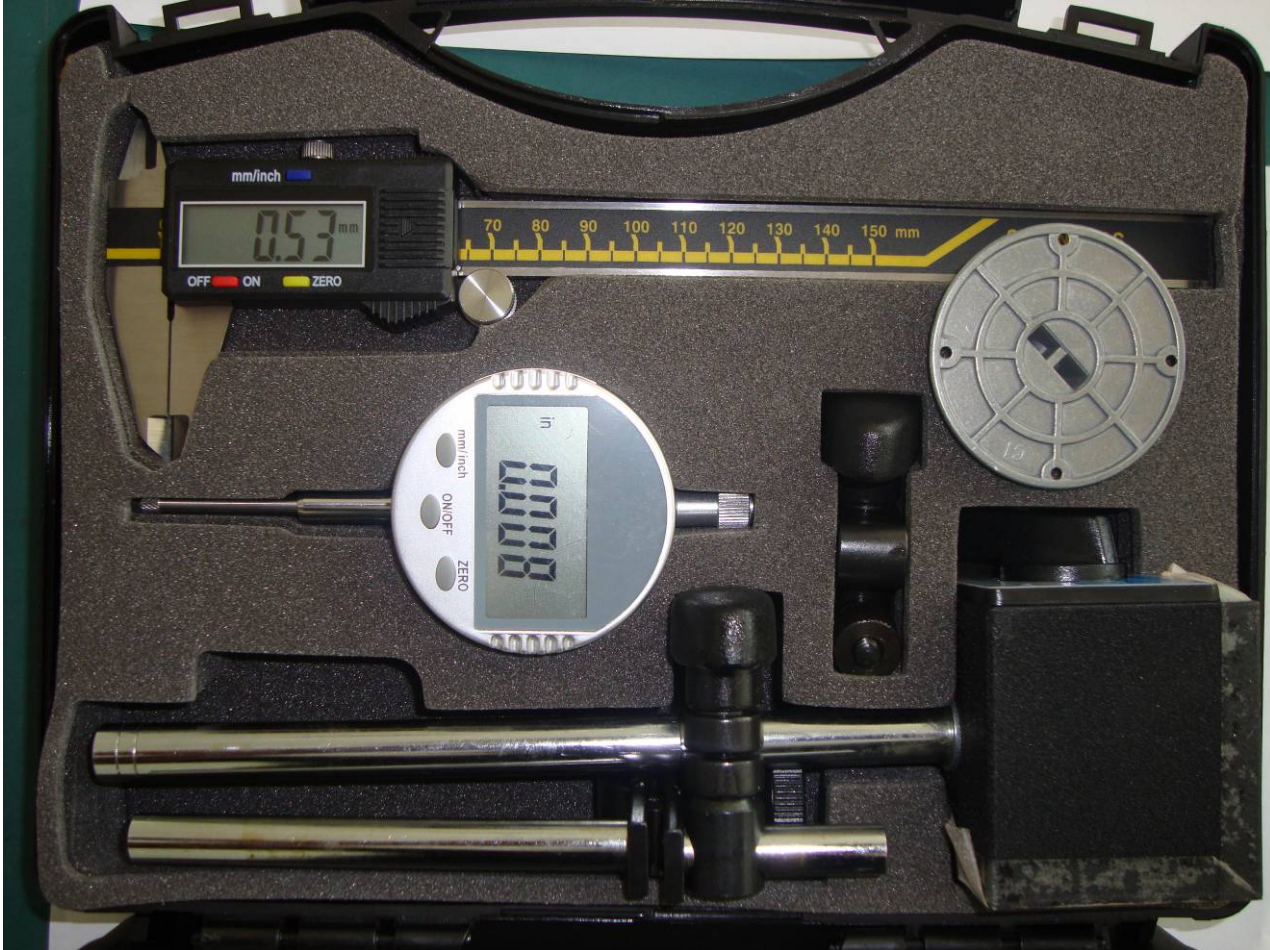
705-1204

Electronic Measuring Set

Specification: Electronic Caliper: 150mm/6"
Electronic Dial Indicator: 0-25mm/1"
Magnetic Stand: 60KG

Resolution: Electronic Caliper: 0.01mm/0.0005"
Electronic Dial Indicator: 0.01mm/0.0005"

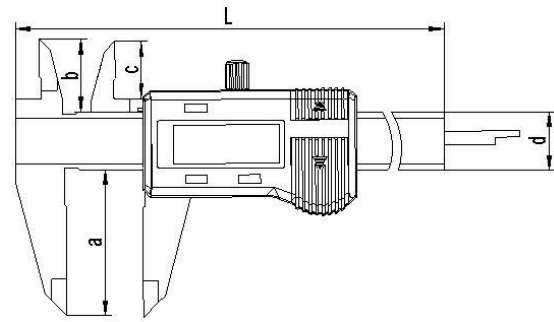
Accuracy: Electronic Caliper: $\pm 0.02\text{mm}/\pm 0.001\text{"}$
Electronic Dial Indicator: $\pm 0.03\text{mm}$



A=57.5mm B=54.5mm C=129.3mm

FEATURES

- Made of stainless steel throughout.
- All measuring faces is finished.
- Provided a direct and clear display.
- Functions of prompt transference of the digital system between metric and inch.
- Resolutions of : 0.01mm/0.0005".
- Power:1.55v SR44w(silver oxide cell) battery.
- Measuring system: Digital capacitive measuring system.
- With RS232 output.



L	a	b	c	d
234	40	20	16	16

MAGNETIC STANDS WITH FINE ADJUSTMENT

- Branch stem with fine adjustment
- Magnetic base with on/off switch
- Clamp hole : 8 & 6.5 mm (optional: hole 3/8" & 5/32")
- For dial indicators with lug back or plain back
- Main stem : $\phi 12 \times 176$ mm
- Branch stem : $\phi 10 \times 150$ mm
- Tapped hole : M8 x 1.25 mm
- Weight : 1.4 kg

Magnetic force	Base(L x W x H)
60 kg	58 x 50 x 55

