

RM17UBE15

voltage control relay RM17-U - range 65..260 V
AC/DC



Main

| | |
|------------------------------|-----------------------------------------------------------------------------------------------------------------------------------------------------------------------------------------------------------------------------------------------------------------|
| Range of product | Zelio Control |
| Product or component type | Modular measurement and control relays |
| Relay type | Voltage control relay |
| Product specific application | For single-phase and DC supply |
| Relay name | RM17UBE |
| Relay monitored parameters | Oversvoltage and undervoltage detection Self-powered |
| Time delay type | Adjustable 0.1...10 s, 0 + 10 % on crossing the threshold |
| Switching capacity in VA | 1250 VA |
| Minimum switching current | 10 mA at 5 V DC |
| Maximum switching current | 5 A AC/DC |
| Power consumption in VA | <= 3 VA AC |
| Measurement range | 65...260 V voltage AC/DC |
| Utilisation category | AC-12 conforming to IEC 60947-5-1 AC-13 conforming to IEC 60947-5-1 AC-14 conforming to IEC 60947-5-1 AC-15 conforming to IEC 60947-5-1 DC-12 conforming to IEC 60947-5-1 DC-13 conforming to IEC 60947-5-1 DC-14 conforming to IEC 60947-5-1 |

Complementary

| | |
|-------------------------------|------------------------------------------------------------------------------------------------------|
| Reset time | 1500 ms for time delay |
| Maximum switching voltage | 250 V AC/DC |
| [Us] rated supply voltage | 110...240 V AC/DC, 50/60 Hz +/- 10 % |
| Supply voltage limits | 50...270 V AC/DC |
| Power consumption in W | <= 1 W DC |
| Immunity to microbreaks | 20 ms |
| Control circuit frequency | 50...60 Hz +/- 10 % |
| Output contacts | 1 C/O |
| Nominal output current | 5 A |
| Measuring cycle | <= 150 ms measurement cycle as true rms value |
| Hysteresis | 3 % fixed of threshold setting |
| Run up delay at power up | <= 100 ms DC <= 500 ms AC |
| Measurement accuracy | +/- 10 % of the full scale value |
| Repeat accuracy | +/- 0.5 % for input and measurement circuit +/- 1 % for time delay |
| Measurement error | < 1 % over the whole range with voltage variation 0.2 %/°C with temperature variation |
| Polarity | Non reversible polarity on DC supply |
| Quality labels | CE |
| Oversvoltage category | III conforming to IEC 60664-1 |
| Insulation resistance | > 500 MOhm at 500 V DC conforming to IEC 60255-5 > 500 MOhm at 500 V DC conforming to IEC 60664-1 |
| [Ui] rated insulation voltage | 250 V conforming to IEC 60664-1 400 V conforming to IEC 60664-1 |
| Operating position | Any position without derating |

The information provided in this documentation contains general descriptions and/or technical characteristics of the products contained herein. This documentation is not intended as a substitute for and is not to be used for determining suitability or reliability of these products for specific user applications. It is the duty of any such user or integrator to perform the appropriate and complete risk analysis, evaluation and testing of the products with respect to the relevant specific application or use thereof. Neither Schneider Electric Industries SAS nor any of its affiliates or subsidiaries shall be responsible or liable for misuse of the information contained herein.

| | |
|-------------------------|--------------------------------------------------------------------------------------------------------------------------------------------------------------------------------------------------------------------------------------------------------------------------------------------------------------------------------------------------------------------------------------------------------------------|
| Connections - terminals | Screw terminals 1 x 0.5...1 x 4 mm ² - AWG 20...AWG 11, solid cable without cable end Screw terminals 2 x 0.5...2 x 2.5 mm ² - AWG 20...AWG 14, solid cable without cable end Screw terminals 2 x 0.2...2 x 1.5 mm ² - AWG 24...AWG 16, flexible cable with cable end Screw terminals 1 x 0.2...2 x 2.5 mm ² - AWG 24...AWG 12, flexible cable with cable end |
| Tightening torque | 0.6...1 N.m conforming to IEC 60947-1 |
| Housing material | Self-extinguishing plastic |
| Local signalling | LED green for power ON LED yellow for relay ON |
| Mounting support | 35 mm symmetrical DIN rail conforming to EN/IEC 60715 |
| Electrical durability | 100000 cycles |
| Mechanical durability | <= 30000000 cycles |
| Operating rate | <= 360 operations/hour under full load |
| Safety reliability data | MTTFd = 502.2 years B10d = 470000 |
| Width | 17.5 mm |
| Product weight | 0.08 kg |

Environment

| | |
|---------------------------------------|--------------------------------------------------------------------------------------------------------------------------------------------------------------------------------------------------------------------------------------------------------------------------|
| electromagnetic compatibility | Emission standard for industrial environments conforming to EN/IEC 61000-6-4 Emission standard for residential, commercial and light-industrial environments conforming to EN/IEC 61000-6-3 Immunity for industrial environments conforming to NF EN/IEC 61000-6-2 |
| standards | EN/IEC 60255-6 |
| product certifications | CSA C-Tick GL GOST UL |
| directives | 89/336/EEC - electromagnetic compatibility 73/23/EEC - low voltage directive |
| ambient air temperature for storage | -40...70 °C |
| ambient air temperature for operation | -20...50 °C |
| relative humidity | 95 % at 55 °C conforming to IEC 60068-2-30 |
| vibration resistance | 0.35 mm (f = 5...57.6 Hz) conforming to IEC 60068-2-6 1 gn (f = 57.6...150 Hz) conforming to IEC 60255-21-1 |
| shock resistance | 5 gn conforming to IEC 60068-2-27 |
| IP degree of protection | IP20 (terminals) conforming to IEC 60529 IP30 (casing) conforming to IEC 60529 |
| pollution degree | 3 conforming to IEC 60664-1 |
| dielectric test voltage | 2 kV AC 50 Hz, 1 min conforming to IEC 60255-5 2 kV AC 50 Hz, 1 min conforming to IEC 60664-1 |
| non-dissipating shock wave | 4 kV conforming to IEC 60255-5 4 kV conforming to IEC 60664-1 4 kV conforming to IEC 61000-4-5 |

Offer Sustainability

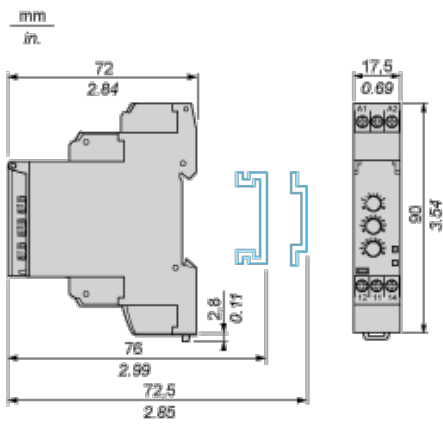
| | |
|----------------------------------|-----------------------------------------------------------------------|
| Sustainable offer status | Green Premium product |
| RoHS (date code: YYWW) | Compliant - since 0701 - Schneider Electric declaration of conformity |
| REACH | Reference not containing SVHC above the threshold |
| Product environmental profile | Available |
| Product end of life instructions | Available |

Contractual warranty

| | |
|-----------------|-----------|
| Warranty period | 18 months |
|-----------------|-----------|

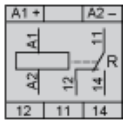
Single-Phase and DC Voltage Control Relays

Dimensions and Mounting

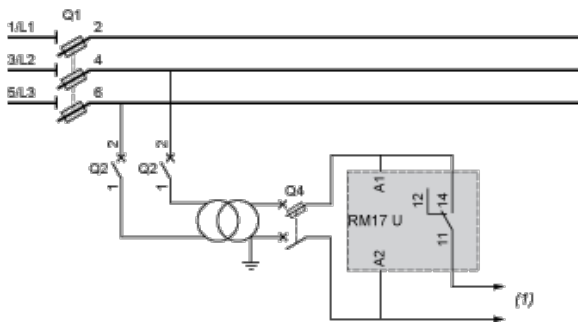


Single-Phase and DC Voltage Control Relays

Wiring Diagram



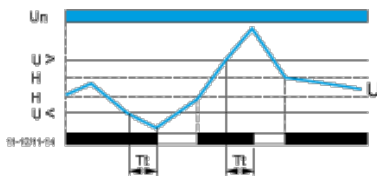
Application Scheme



(1) To sensitive loads

Function Diagram

Control of Overvoltage and Undervoltage in Window Mode



Legend

Tt Time delay after crossing of threshold

Un Nominal supply voltage

U Monitored supply voltage

H Hysteresis

U> Overvoltage threshold

U< Undervoltage threshold

11-12, 11-14 Output relay connections

Relay status: black color = energized.