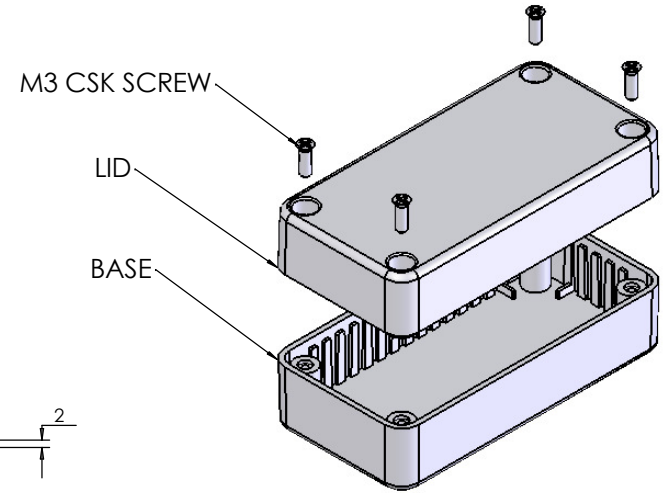


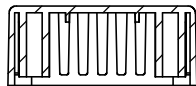
OVERALL ASSEMBLY DIMENSIONS:

EXTERNAL - 100 x 50 x 40

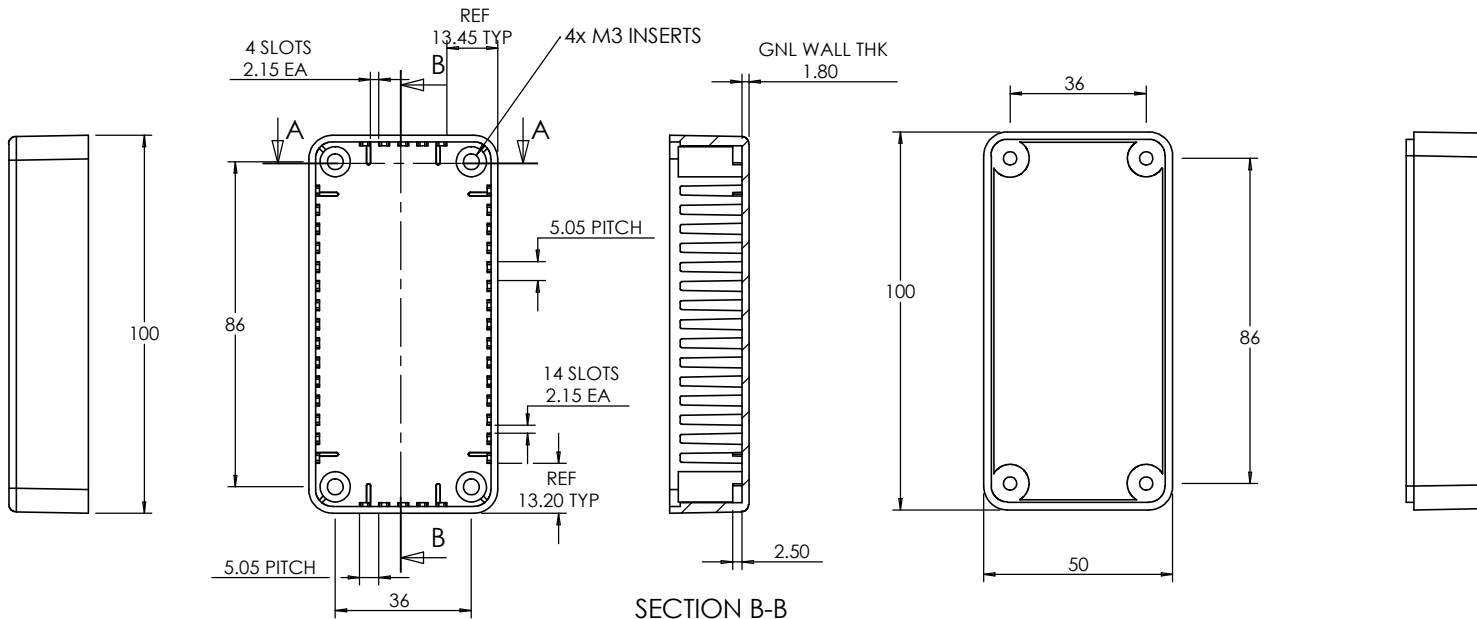
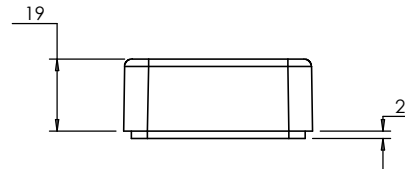
INTERNAL - 96.4 x 46.4 x 36.4



ISO VIEW



SECTION A-A



BASE

SECTION B-B

LID



JAMES CARTER RD, MILDENHALL, SUFFOLK. IP28 7DE
 TEL: 01638 716101 FAX: 01638 716554
 EMAIL: Sales@CamdenBoss.com
 WEB: www.CamdenBoss.com

UNLESS OTHERWISE SPECIFIED:
 DIMENSIONS ARE IN MILLIMETERS

DO NOT SCALE DRAWING

REVISION. 0

TITLE:

ASSEMBLY DRG FOR 2002/22

FINISH.
 SMOOTH

DWG NO.

2002,22

A4

	NAME	SIGNED	DATE
DRAWN	S.HARDINGE	SJH	03/10/05
CHK'D	-	-	-

MATERIAL.
 ABS

PROJECTION.

SCALE: 1 : 2

SHEET 1 OF 1