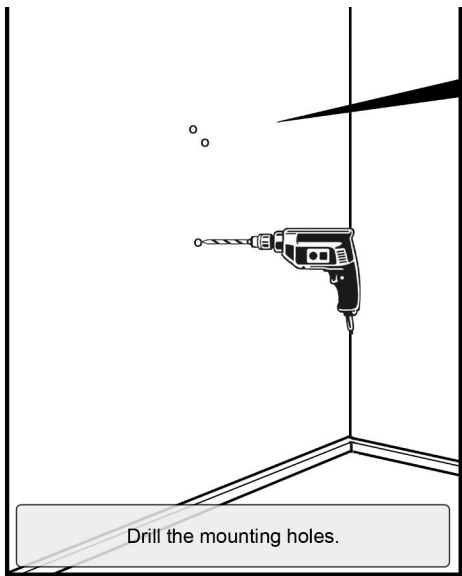
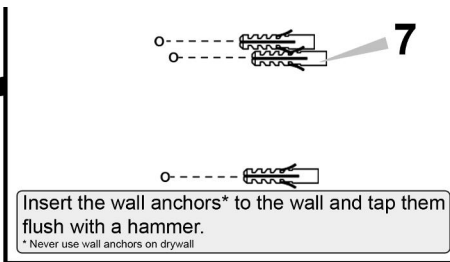


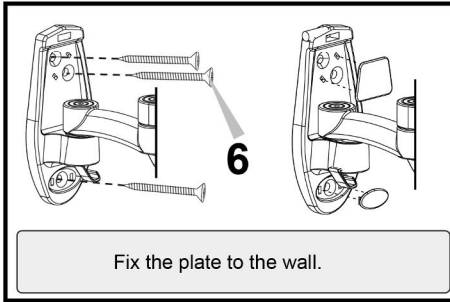
Level the mount and mark.



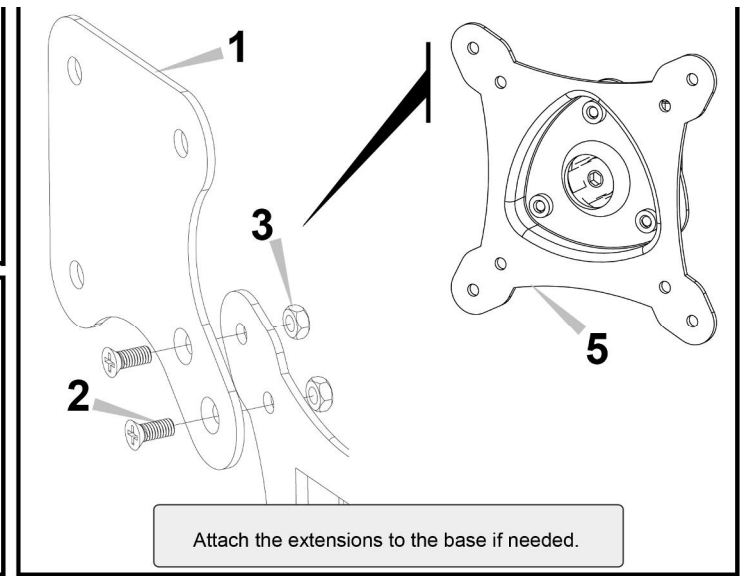
Drill the mounting holes.



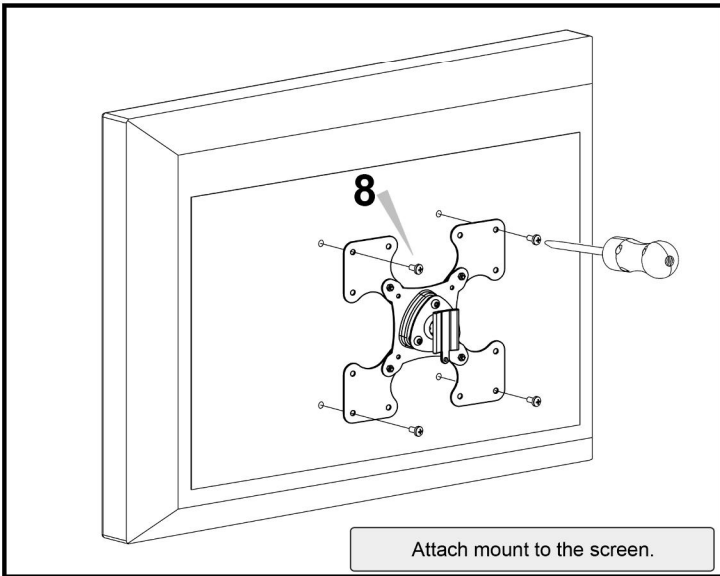
Insert the wall anchors\* to the wall and tap them flush with a hammer.  
\* Never use wall anchors on drywall.



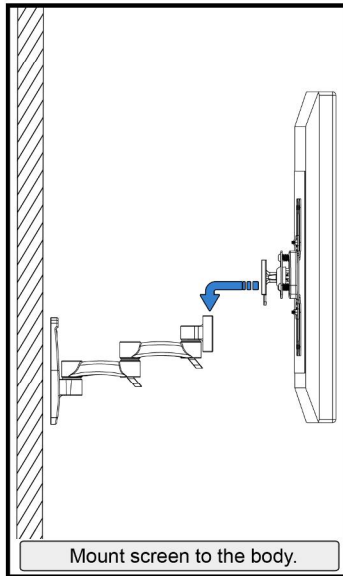
Fix the plate to the wall.



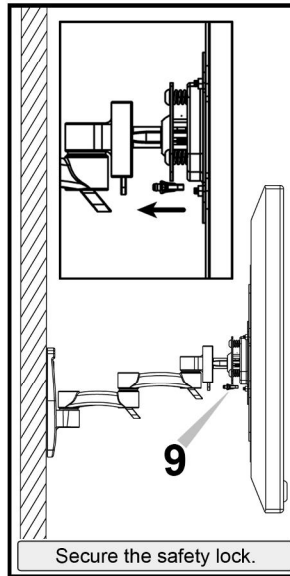
Attach the extensions to the base if needed.



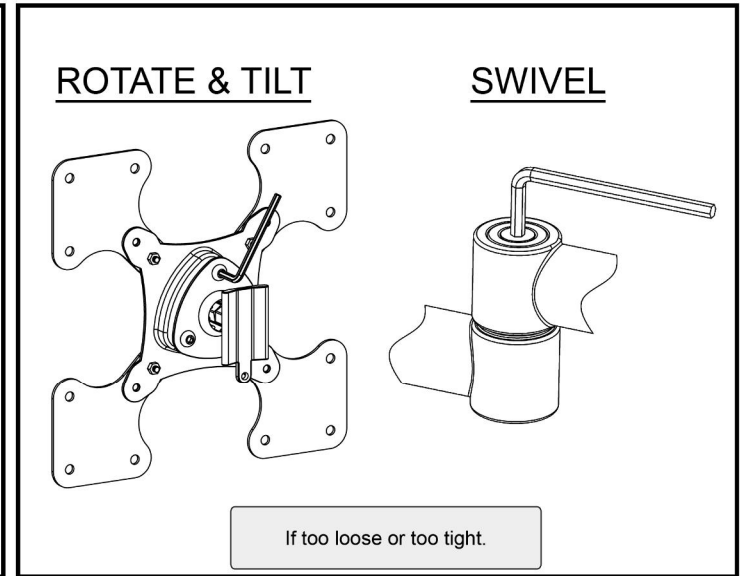
Attach mount to the screen.



Mount screen to the body.



Secure the safety lock.



ROTATE & TILT

SWIVEL

If too loose or too tight.

