

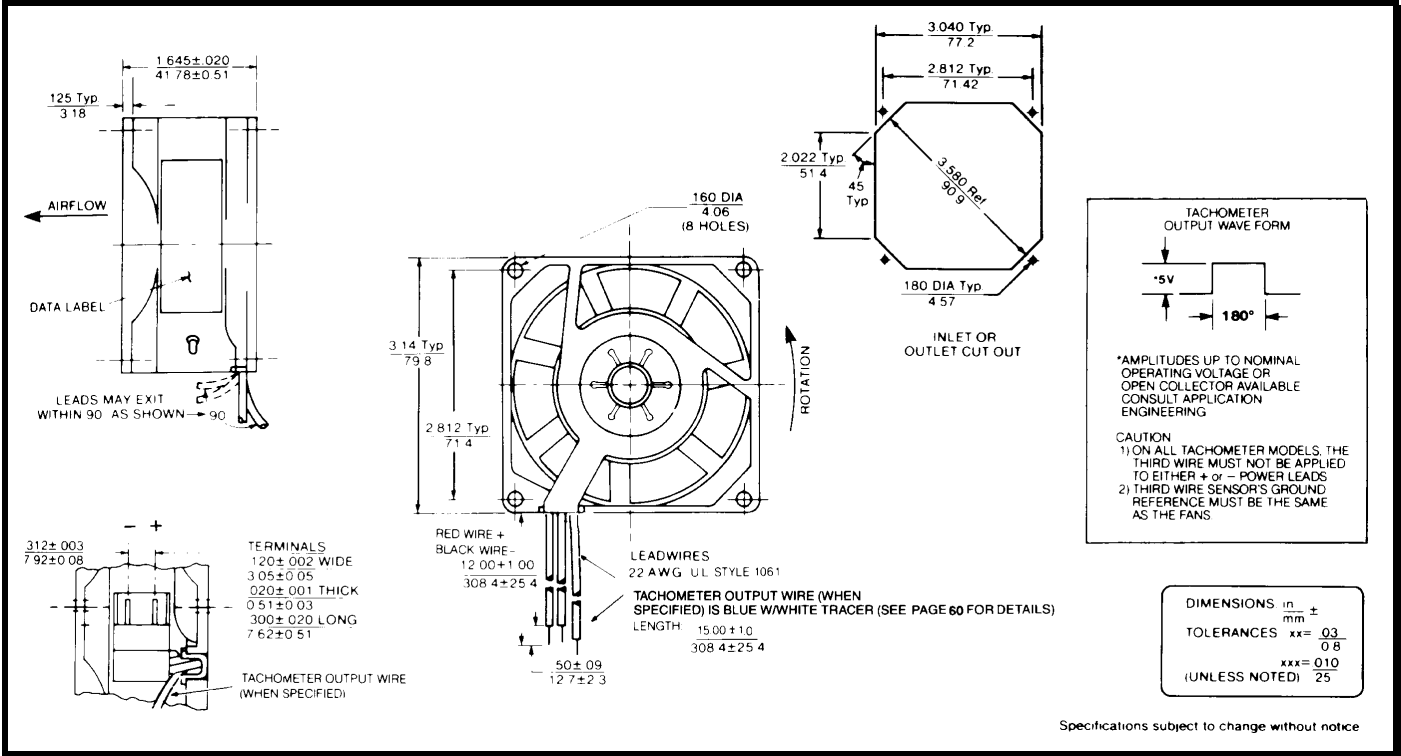
SPECIFICATIONS



Model Number: SD24B5-E2
Part Number: 19039029A

Apr. 01, 2016

Mechanical Drawing:



Motor:

Nominal Voltage = 24 vdc
 Operating Voltage Range = 12 - 28vdc
 Nominal Running Current = 0.130 amps
 Locked Rotor Current = 0.60 amps
 Running Power = 3.0 watts
 Average Speed = 3500
 Bearings = Ball
 Air Flow = 35 CFM
 Acoustic = 47.6 dBA

Construction:

Venturi: Single Piece Die-Cast Zinc Alloy, Black
 Propeller: Plastic, Black, UL 94V-0

Agency Approvals:

UL

Life Expectancy:

This fan is designed for continuous duty life of 83,000 hours at 40°C.

Additional Features:

Brushless DC Motor
 Locked Rotor Protection
 Polarity protected
 Automatic Restart Capability
 Operating Temperature: -10°C to 70°C
 Storage Temperature: -40°C to 85°C
 Envirosield Type 2

Tachometer:

Output: 5 vdc TTL Compatible
 I_c: 5 mA Typical
 Pulses per Revolution: 1
 Isolated: No

Termination:

12" Lead wires, AWG 22, UL 1061
 Red = Power (+)
 Black = Return (-)
 Blue/White = Tachometer (Output)