

Graphics Solutions for Professionals

ENGLISH

matrox **Millennium G550**

User Guide

10776-301-0200
2005.07.29

www.matrox.com/graphics

matrox
Graphics for Professionals

Hardware installation

This section describes how to install your Matrox card. If your Matrox graphics card is already installed in your computer, skip to “[Connection setup](#)”, page 6. For information specific to your computer, like how to remove its cover, see your system manual.



WARNING: To avoid personal injury, turn off your computer, unplug it, and then wait for it to cool before you touch any of its internal parts. Also, static electricity can severely damage electronic parts. Before touching any electronic parts, drain static electricity from your body (for example, by touching the metal frame of your computer). When handling a card, carefully hold it by its edges and avoid touching its circuitry.

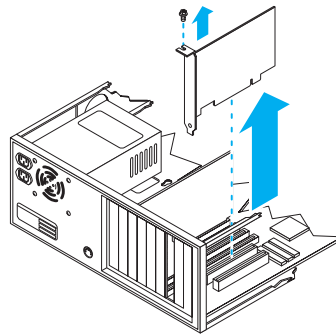
1 Open your computer and remove your existing graphics card *

If a graphics card isn't already installed in your computer, skip to [step 2](#).

- a Using the **Add/Remove Program** Windows **Control Panel**, remove any currently installed display drivers. Restart your computer for the changes to take effect.

After your computer restarts, you're prompted to install drivers for the new graphics hardware detected. Click **Cancel**.

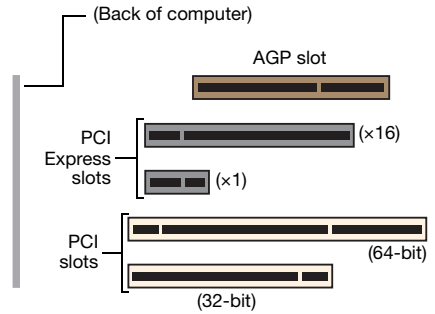
- b Turn off your computer and all peripherals such as your monitor or printer.
- c Open the computer and remove your existing graphics card. (If graphics hardware is built into the motherboard of your computer, this graphics hardware should automatically disable itself after your Matrox card is installed. For more information, see your system manual.)



* With multi-display mode, you may be able to use your existing graphics card. For Windows 2000/XP, see Windows 2000/XP online help under “Install additional monitors”.

2 Choose an expansion slot

Most computers have different types of expansion slots. Choose an AGP, PCI, or PCI Express (PCIe) slot, depending on the type of Matrox card you have. If you have a PCI card, your card supports both 64-bit and 32-bit PCI slots. Your system manual should identify the location of each type of expansion slot in your computer.

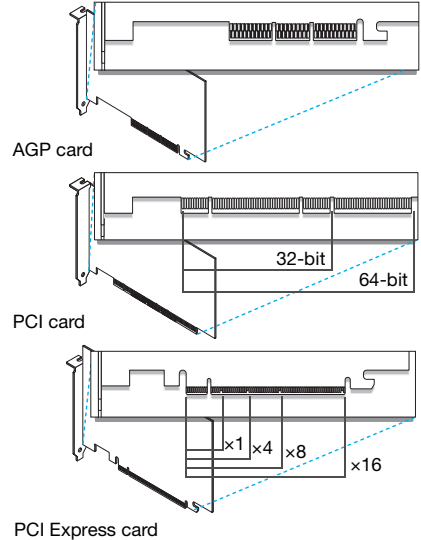


Note: If you're using a PCI graphics card in a PCI-X compatible slot, your choice of PCI slot may affect your card or system performance. For more information, see your computer manual.



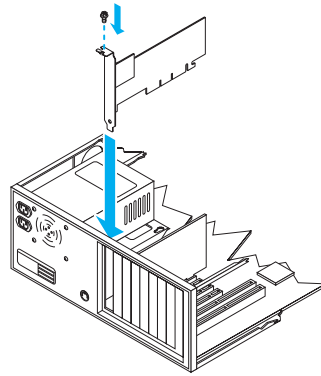
WARNING: Inserting your Matrox card into the wrong type of slot could damage your card, your computer, or both.

If you have a PCI card and the versions (32- or 64-bit) of your card and PCI expansion slot are different, only part of the card's edge connector (the part closest to the bracket) or expansion slot (the part closest to the back of the computer) should be used.



3 Insert your Matrox card

- a Position your Matrox card over the expansion slot you've chosen.
- b Push the card in firmly and evenly until it's fully seated in the slot.
- c Secure the bracket of your Matrox card to the computer frame.



Your Matrox card is now installed. *Before restarting your computer*, connect your monitor or monitors (see “[Connection setup](#)”, page 6). *After connecting*, restart your computer and install your Matrox software (see “[Software installation](#)”, page 11).

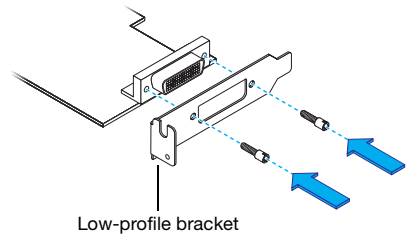
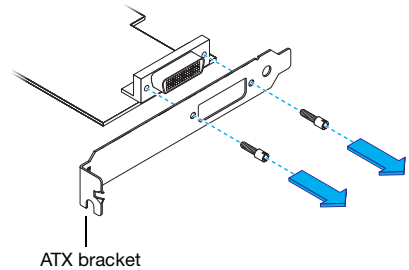


WARNING: If your computer doesn't restart after your graphics card is installed, turn off your computer to avoid damaging electronic parts. For troubleshooting information, see [page 18](#).

Replacing brackets on a low-profile graphics card

Most Matrox low-profile graphics cards ship with ATX brackets compatible with most systems. The following explains how to change brackets on your Matrox product.

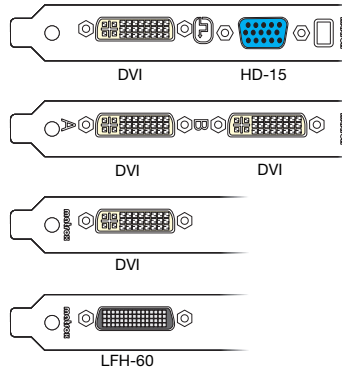
- 1** Remove the current bracket from your Matrox graphics card by removing the hexagonal nuts on either side of the monitor connector.
- 2** Attach and fasten the new bracket with the two hexagonal nuts you just removed.



Connection setup

For the purpose of determining your connection setup, there are 4 types of graphics cards:

- **DVI/HD-15** – a DVI (white) and an HD-15 (blue) connector
- **Dual-DVI** – two DVI (white) connectors
- **Single-DVI** – only a DVI (white) connector
- **LFH-60** – only an LFH-60 (black) connector



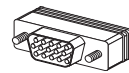
WARNING: Don't change monitor connections while your computer is turned on. While your computer is turned on, it may be using monitor settings that are specific to the current monitor connections. *Some* devices may be permanently damaged if incorrect settings are used.



Note: To connect a *digital* monitor (a monitor that uses digital input, usually a flat panel monitor) to your Matrox product, your monitor must have a DVI connector. P&D and MDR-20 connectors aren't supported.

If you have an *analog* monitor (a monitor that uses analog input) with a DVI connector and you want to connect it to an HD-15 connector, you'll need a separate adapter. If this adapter isn't included with your monitor, contact your monitor vendor.

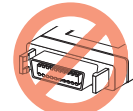
Some monitors with DVI connectors support both digital and analog input. If you're using one of these monitors with your Matrox product, make sure it's configured to use the correct type of input. For more information, see your monitor documentation.



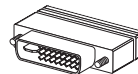
HD-15 connector (analog)



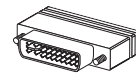
P&D connector (digital)



MDR-20 connector (digital)



DVI connector (digital)



DVI connector (analog/digital)

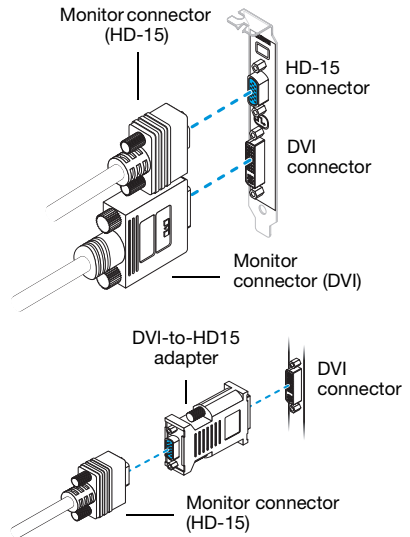
If you have a DVI/HD-15 graphics card

If your Matrox card has a DVI and an HD-15 connector, you can connect up to two monitors directly to your card.

You can use the HD-15 connector on your card to connect an analog monitor.

You can use the DVI connector on your card to connect a digital monitor.

You can also use the DVI connector to connect an analog monitor. You should do this only when there's already a device connected to the HD-15 connector. You can connect an analog monitor with a DVI connector directly. You can also connect an analog monitor with an HD-15 connector using a DVI-to-HD15 adapter. If you need this adapter and it's not included with your Matrox product, contact your computer vendor.

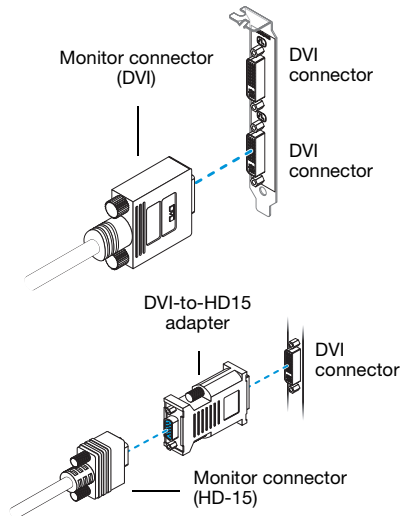


If you have a dual-DVI graphics card

If your Matrox card has 2 DVI connectors, you can connect up to two monitors directly to your card.

You can connect monitors with DVI connectors directly to your card.

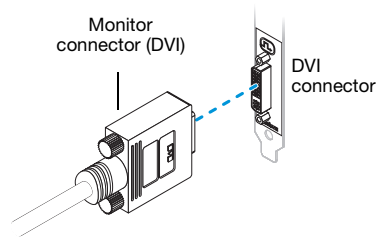
You can also connect an analog monitor with an HD-15 connector using a DVI-to-HD15 adapter. If you need this adapter and it's not included with your Matrox product, contact your computer vendor.



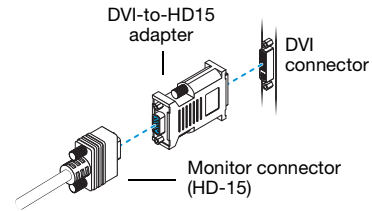
If you have a single-DVI graphics card

If your Matrox card only has a DVI connector, you can connect one monitor directly to your card or up to two monitors using a dual-monitor cable.

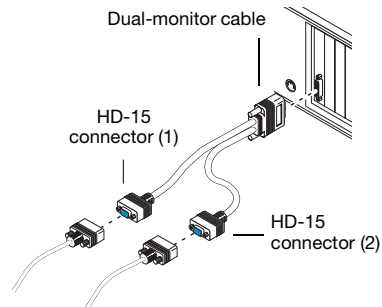
You can connect a monitor with a DVI connector directly to your card.



You can also connect an analog monitor with an HD-15 connector using an analog dual-monitor cable (included with certain Matrox products) or using a DVI-to-HD15 adapter. If you need this adapter and it's not included with your Matrox product, contact your computer vendor.

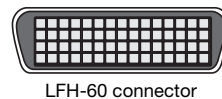


To use a dual-monitor cable to connect one or two analog monitors, connect it to your card and to your analog monitor cables. If you're connecting only one monitor, use the main connector (labeled **1** or **1/3**) of your dual-monitor cable.



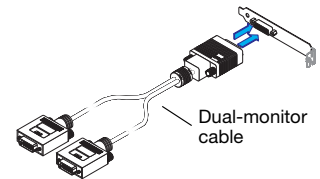
If you have an LFH-60 graphics card

If your Matrox card only has an LFH-60 connector, you can connect up to two monitors to your card using a dual-monitor cable. The type of monitor you can connect to your card depends on the type of dual-monitor cable you have.

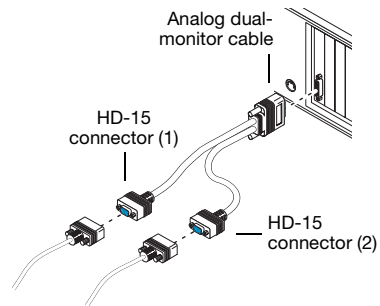




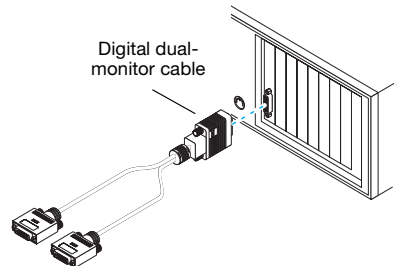
WARNING: To avoid damaging the LFH-60 connector on your dual-monitor cable or on your graphics card, carefully insert the connector on your dual-monitor cable as straight as possible into the connector on your graphics card. Specifically, inserting the connectors into each other at an angle is likely to bend and damage the pins on the connector of the dual-monitor cable.



Analog dual-monitor cable – If you're using an *analog* dual-monitor cable (a cable with HD-15 connectors), you can only connect analog monitors. Connect your cable to your card and to your analog monitor cables. If you're connecting only one monitor, use the main connector (labeled **1** or **1/3**) of your dual-monitor cable.

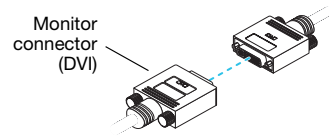


Digital dual-monitor cable – If you're using a *digital* dual-monitor cable* (a cable with DVI connectors), you can connect analog and digital monitors. Attach your Matrox dual-monitor cable to the connector on the bracket of your Matrox card.

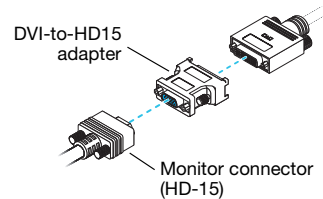


If your monitor has a DVI connector, connect it directly to the main DVI connector (**1/3**) of your dual-monitor cable.

If your monitor has an HD-15 connector, use the DVI-to-HD15 adapter included with your product to connect your monitor to the main connector.



If you're connecting only one monitor, use the main connector (labeled **1** or **1/3**) of your dual-monitor cable.



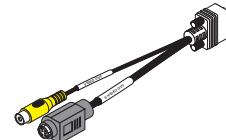


Note: Whenever you change your connection setup, make sure you're using the correct connectors and that all connectors are properly fastened.

Whenever you restart your computer, make sure your monitors are already turned on. Otherwise, the software may not be able to properly detect your monitors.



Note: If a TV output adapter is included with your Matrox product, you can use this adapter to connect a TV or video recorder to your Matrox product. The adapter connects to the HD-15 connector on your card or to the connector labeled **2** (or **2/4**) on an analog dual-monitor cable. For more information, see “TV output”, page 14.



TV output adapter

Determining your main and secondary display

Your Matrox hardware has a main display and a secondary display – the main display is more capable than the secondary display. Which connector the software uses for your main display depends on your connection setup.



- If your Matrox card has a DVI and an HD-15 connector, there are 3 conditions that determine which connector is used for your main display:
 - If a digital monitor is connected, the DVI connector is used for your main display.
 - If the TV output adapter is connected, the DVI connector is used for your main display.
 - If no digital monitor or no TV output adapter is connected, the HD-15 connector is used for your main display.
- If your Matrox card has 2 DVI connectors, the main display uses the connector labeled **A** and the secondary display uses the connector labeled **B**.
- If your Matrox card only has a DVI connector and you're not using a dual-monitor cable, this connector is used for your main display.
- If you're connecting your monitors using a dual-monitor cable, the connectors are numbered. The main display uses the connector labeled **1** (or **1/3**) and the secondary display uses the connector labeled **2** (or **2/4**).

* The digital dual-monitor cable is only available for cards with an LFH-60 connector.

Software installation



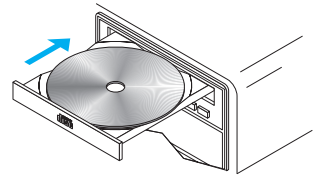
Note: This guide has references that are specific to the Matrox installation CD-ROM. If your Matrox product wasn't packaged by Matrox (for example, if it was included with your computer), your product may not include this CD-ROM.

If you don't have this CD-ROM, certain references in this guide may not reflect the software you have. For more information, see other software documentation provided by your system vendor.



This section describes how to install Matrox software for *Windows 2000/XP*.

You may need administrator rights to install certain software. For more information, see Windows documentation or contact your system administrator.



1 Install display driver

Windows detects new hardware when you restart. If Matrox display drivers haven't been previously installed, Windows prompts you to install a display driver. Follow the on-screen instructions. (The Matrox Windows 2000/XP display driver is in the *Win2kXP* folder.)

2 Install optional software

After your computer restarts, the setup program shows you a list of additional items you can install. Follow the on-screen instructions.

3 Set up your display software

See “Display setup”, page 12.

Display setup



W Windows 2000/XP – Your Matrox display driver includes Matrox PowerDesk software. This software helps you get the most out of your Matrox graphics card. This section has important information on how to configure your display settings using Matrox PowerDesk software.

Accessing PowerDesk property sheets

Many display controls are on Matrox PowerDesk property sheets. You can identify Matrox PowerDesk property sheets by the icon appearing on the tab.



To access these property sheets, right-click your Windows desktop background, then click **Properties** → **Settings** → **Advanced**. If you're using a multi-display desktop, select a display before clicking **Advanced**.

Also, to quickly access PowerDesk features, click the Matrox QuickDesk icon () on your Windows taskbar. To see the QuickDesk icon in Windows XP, you may need to click the **Show hidden icons** button () on your Windows taskbar.



Note: Multi-display mode is supported under Windows 2000/XP. For more information on multi-display mode, see Windows 2000/XP online help under “Multiple Display support”.

Monitor setup

Before changing your display resolution, color palette, or other Matrox PowerDesk settings, make sure correct software monitor settings are selected. If you have a Plug-and-Play (DDC) monitor, the correct settings are usually automatically selected. The following explains how to make sure your monitor settings are okay.



WARNING: If incorrect software monitor settings are applied, *some* monitors can be permanently damaged. For more information, see your monitor manual.

If you have a Plug-and-Play (DDC) monitor, Windows should automatically use the correct settings for your monitor. To make sure the correct monitor is selected in Windows:

- 1 Right-click your Windows desktop background, then click **Properties** → **Settings**.
- 2 Depending on what version of Windows you have, click **Change Display Type**, or **Advanced Properties** → **Monitor**, or **Advanced** → **Monitor**. If you're using a multi-display desktop, select a display before clicking **Advanced**.

- 3 If the monitor name listed doesn't match your monitor, click the **Change** button to select a new monitor name. Follow the on-screen instructions.

For more information on Windows monitor settings, see Windows documentation.

If you want to customize your Windows monitor settings (analog monitors only):

- 1 Access the PowerDesk **Monitor Settings** property sheet (see “[Accessing PowerDesk property sheets](#)”, page 12).
- 2 Depending on what you want to do, click one of the buttons in the **Monitor settings selection method** box, then follow the on-screen instructions.

DualHead Multi-Display setup

With your Matrox graphics card, you can enable a second display (for example, a computer monitor or a TV) as part of your Windows desktop. This is the Matrox *DualHead Multi-Display* feature. To use this feature:

When you first restart your computer, you'll be prompted to enable the DualHead Multi-Display feature. Follow the on-screen instructions. For more information, see the online help.


Other DualHead features

If your Matrox graphics card has a second monitor connector you can also use these features:

- **DualHead Clone** – View a copy of your main display on your secondary display. Each display can use different monitor settings (refresh rates).
- **DualHead Zoom** – Use your secondary display to view a zoomed-in portion of your main display.
- **DualHead DVDMax** – Play digital video in a window on your main display and, at the same time, view that video full-screen on your secondary display.

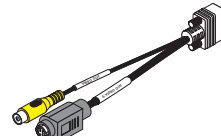
More PowerDesk information

For more information on Matrox PowerDesk:

- For context-sensitive help where available, click the “” icon in the title bar, then click the item you want help on. Right-click a help topic for a pop-up menu that lets you print or copy it. (Some help topics are only available through context-sensitive help.)
- Access the Matrox PowerDesk **Information** property sheet (see “[Accessing PowerDesk property sheets](#)”, page 12), then click **Help** or **View Readme File**.

TV output

You can use the TV output adapter to connect a TV or video recorder to view or record the secondary display of your Matrox graphics card. If a TV output adapter wasn't included with your Matrox product, you can purchase it separately (see <http://shopmatrox.com>). This section describes how to use the TV output feature.



TV output adapter



Note: TV output isn't supported with full-screen DOS display modes (for example, the information you see before Windows starts) or with standard VGA mode (for example, when you restart Windows in "safe mode"). Older programs may use these display modes. While one of these display modes is in use, your TV displays nothing (black).

Connection setup

1 Turn off computer



Windows 2000/XP – To shut down your computer, click **Start** → **Shut Down** → **Shut down** → **OK**, then turn off your computer.

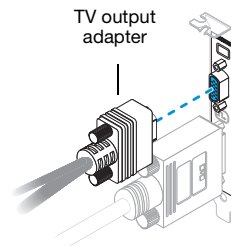


WARNING: Don't change monitor connections while your computer is turned on. While your computer is turned on, it may be using monitor settings that are specific to the current monitor connections.

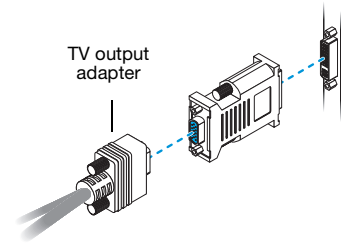
If a display device (monitor, TV or video recorder) is connected while your computer is using settings intended for another display device, the display of the new device may be garbled or unusable. *Some* devices may be permanently damaged if incorrect settings are used.

2 Attach TV adapter

If your Matrox card has an HD-15 connector, attach your Matrox TV output adapter to this connector. If you're using an analog dual-monitor cable, attach your TV output adapter to the connector labeled **2** (or **2/4**).



If your Matrox card has 2 DVI connectors, use a DVI-to-HD15 adapter to connect the TV output adapter to the secondary DVI connector (**B**) of your graphics card.

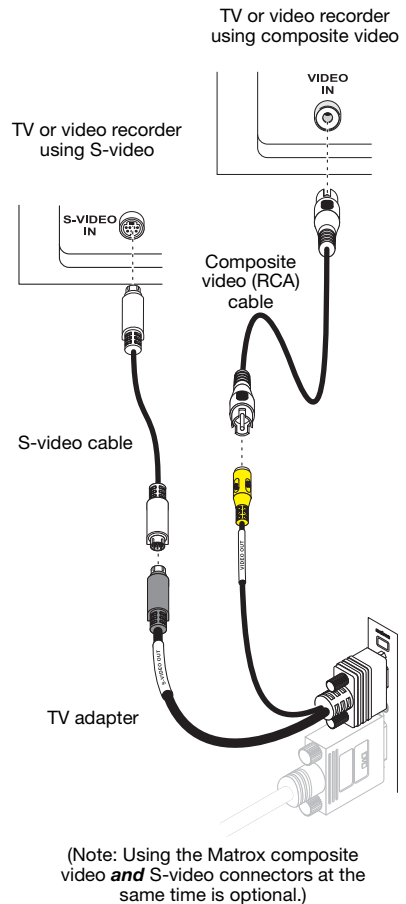


3 Connect video output

To connect to a TV or a video recorder, you'll need a composite video (RCA) or S-video cable.

If your video device (a TV or a video recorder) didn't come with one of these cables, these types of cable are available at most electronics stores. The type of cable you use depends on what your video device supports. Many video devices support composite video connections, and some higher-quality video devices support S-video connections.

- a Attach one end of your composite video or S-video cable to the appropriate connector on your TV adapter.
- b Attach the other end to the **VIDEO IN*** connector on your TV† or video recorder.
- c Before viewing or recording video output directly from your computer, make sure your TV or video recorder is set up to use *line* input. For example, if your TV has a **TV/VIDEO** switch, set it to **VIDEO**; or if your video recorder has a **TUNER/LINE** switch, set it to **LINE**.



* The labels on your devices may not be consistent with what's in this guide. Different manufacturers sometimes use different labels for the same type of controls and connectors. For example, the **VIDEO IN** connector on your TV may be labeled **VIDEO 1** (or **VIDEO 2**). To match labels, see the documentation for your video devices.

† If your TV only has an antenna or cable TV connector, you can use an *RF modulator* to connect it to your Matrox card. RF modulators are available at most electronics stores.

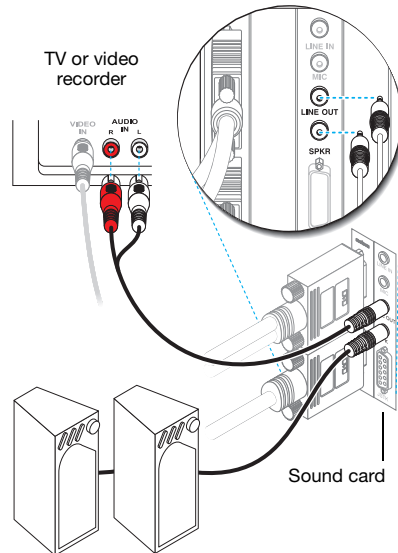
Optionally, if you use the composite video *and* S-video connectors on your Matrox TV adapter, you can directly connect two different video devices at the same time.

To view *and* record output from the same Matrox video connector, you can connect it to a video recorder and connect the video recorder to a TV. For more information, see your video recorder and TV manuals.

4 Connect audio output

Typically, the sound output from a computer comes from speakers connected to your sound card. If you prefer, you can hear or record the sound output from your computer using the same TV or video recorder you connect to your graphics card. To do this, you need an audio cable with a stereo jack on one end and two RCA connectors on the other end. If you don't have this type of cable, you can buy one at most consumer electronics stores.

- a Plug the stereo-jack end of the audio cable into the **LINE OUT** (🔊) connector on your sound card.
- b Plug the other end of the cable into the left (**L**) and right (**R**) **AUDIO IN** connectors of your video device. For more information, see your sound card manual.



Software setup

W If a TV or video recorder is connected to your Matrox product, you can use TV output mode to view or record your display on your TV or video recorder. (To connect video devices to your computer, see [page 14](#).)

TV settings have lower resolutions and refresh rates than typical computer monitor settings. Lower refresh rates may result in more noticeable flicker.

* If your computer has no audio **LINE OUT** connector, you can use its **SPKR** (speaker) connector instead. In this case, all your computer sound output goes to the video device you connected to.



Note: Two TV standards are supported for TV output. The NTSC standard is used in North America and Japan, among other places. The PAL standard is used in most of Western Europe and in China, among other places.

If an incorrect TV standard is selected in Matrox software, the output from your computer may not appear or record properly on your TV or your video recorder. To find out what standard your TV or video recorder supports, see its documentation.



Windows 2000/XP –

- To add a TV to your Windows desktop, see Matrox PowerDesk help.
- To use TV output, you can use the *DualHead Clone*, *DualHead Zoom*, or *DualHead DVDMax* features (see “Other DualHead features”, page 13).
- To adjust TV settings, access the Matrox PowerDesk **DualHead** property sheet (see “Accessing PowerDesk property sheets”, page 12).

For more information on how you can use your secondary display, see Matrox PowerDesk help.

Troubleshooting

Basic procedures

This section explains basic procedures that are referred to by some troubleshooting items in this guide.

W Restarting in VGA mode

Windows 2000/XP – What follows is information on how to restart your computer in *VGA mode*.

- 1 Click **Start** → **Shut Down** → **Restart** → **OK*** to restart your computer. (* Depending on your version and configuration of Windows, this part of the step may not be necessary.)
If your primary monitor is unusable, see your system manual for information on how to restart your computer using a hardware control.
- 2 *Before* Windows starts, press [F8] for the Windows startup menu to appear. (If [F8] doesn't work, instead try pressing and holding [Ctrl] before Windows starts.)
- 3 Select "VGA mode", then press [Enter].

Graphics – Main troubleshooting

This section addresses possible problems that could prevent you from using your computer.

Problem **Computer doesn't display information or boot after Matrox card is installed**

Cause Your Matrox card may not be properly installed.

Solution Make sure your Matrox card is properly installed. Specifically, make sure the card is firmly inserted in its expansion slot and that all connections to it are firmly in place. For more information, see "[Hardware installation](#)", page 2.

Cause There may be an unsupported graphics adapter in your computer.

Solution If an unsupported graphics card is plugged into an expansion slot, remove it.

Solution If a graphics adapter is built into your computer motherboard, your system may not have automatically disabled it when you inserted your Matrox card. Check your system manual for instructions on how to disable your computer's built-in graphics adapter.

Cause Your computer BIOS (Basic Input/Output System) may not be up to date. For more information on your computer BIOS, see your system manual.

Solution Reinstall your previous graphics card and, if possible, update your computer BIOS. This can usually be done with software from the manufacturer of your computer. Contact your system vendor or manufacturer to get a BIOS update for your computer.

To get the correct BIOS update, you may need to know the serial number your computer displays when it restarts. (This number is usually in the lower-left corner of the display.)

Cause The BIOS of your Matrox graphics card may need to be updated or restored.

Solution **For advanced users** – If you have another VGA-compatible graphics card (PCI), you can try resetting the BIOS of your Matrox graphics card.

- 1 Turn off your computer and insert the other graphics card into an expansion slot. For more information on expansion slots, see [“Choose an expansion slot”](#), page 3.
- 2 Plug your monitor into the other graphics card and restart your computer.



Note: Make sure your computer uses the other graphics card to control your primary display. The graphics card that controls your primary display is the one that first displays information when you restart your computer. (A DualHead-supporting graphics card may display this startup information on both of its displays at the same time.)

Your computer BIOS (Basic Input/Output System) and the slot type (AGP, PCI, or PCIe – see [“Choose an expansion slot”](#), page 3) of each graphics card help determine which graphics card controls your primary display.

To control which graphics card is used for your primary display, you may be able to change the configuration of your computer BIOS. For information on how to change your computer BIOS settings, see your system manual.

- 3 Insert your Matrox installation CD-ROM.
- 4 Click **Start** → **Run**, type `D:\Sysutils`. You will need to use the **PBIOSWin** program to update the BIOS of your Matrox graphics card. For more information on how to use this program, see the *Readme* file in the *Sysutils* folder.
- 5 Turn off your computer, remove the other graphics card, then plug your monitor into your Matrox graphics card.
- 6 Restart your computer.

Problem Wrong color balance, screen image off-center, or no picture at all

Cause Your monitor video controls may be improperly set.

Solution Adjust your monitor controls (brightness, contrast, and so on). For more information, see your monitor manual.

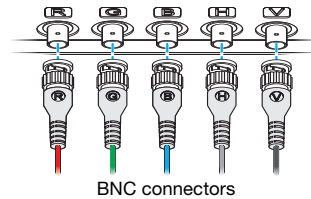
Cause Your monitor may not be properly connected.

Solution Make sure you're using the correct connectors and that all connectors are properly fastened.

Solution Make sure the monitor power cable is firmly in place.

Solution Make sure the connection to the back of the monitor is firmly in place.

If your monitor uses BNC input, make sure the Red (**R**), Green (**G**), Blue (**B**), Horizontal Sync (**HSYNC** – white or gray wire), and Vertical Sync (**VSYNC** – black wire) connections are firmly in place and plugged into the correct input.



Cause If your monitor uses BNC input, one or more connection settings may be incorrect.

Solution Set each of your monitor RGB input and sync switches (if available) to 75 ohms, with the sync set to “external”. These controls are usually switches on the back of your monitor.

Cause If display problems occur after the startup screen of your operating system, your software monitor settings may be incorrect.

Solution Make sure correct software monitor settings are selected.

W If your primary display is still usable, see [“Monitor setup”](#), page 12. Otherwise, see the next troubleshooting item.

Problem After the startup screen, or after display settings are changed, the screen image is garbled or unusable (blank screen, rolling or overlapping screen images)

Cause The Matrox display driver may be trying to use settings your monitor doesn't support. This can happen if a monitor was never selected in the software and the display resolution was changed to one your monitor doesn't support, or if the monitor connected to your computer was changed without changing it in the software.



WARNING: If incorrect software monitor settings are applied, *some* monitors can be permanently damaged. For more information, see your monitor manual.

Solution **W**

Windows 2000/XP –

- 1 If your primary display is unusable, restart your computer in VGA mode (see “Restarting in VGA mode”, page 18).
- 2 Right-click the Windows desktop background, then click **Properties** → **Settings**.
- 3 Move the **Screen area** (Windows 2000) or **Screen resolution** (Windows XP) slider down to its lowest setting, then click **OK**.
- 4 Restart your computer normally.
- 5 Make sure the correct monitor is selected in Windows (see “Monitor setup”, page 12).
- 6 Make sure you're not using inappropriate monitor setting customizations. Access the PowerDesk **Monitor Settings** property sheet (see “Accessing PowerDesk property sheets”, page 12), then click **Delete all customizations**.
- 7 Restore your original display settings (see steps 2 and 3).



Note: In multi-display mode, each monitor has its own monitor settings (refresh rates).

Cause Files on your system may have been deleted or corrupted.

Solution Remove, then restore Matrox software:



Note: Before removing software, make sure you have all the necessary files to reinstall software that may still be needed. Also, make sure the display driver you reinstall supports *all* Matrox products in your computer.

W

Windows 2000/XP –

- 1 If your primary display is unusable, restart your computer in VGA mode (see “Restarting in VGA mode”, page 18).

- 2 To remove Matrox software, click **Start** → **Settings*** → **Control Panel** → **Add or Remove Programs** (double-click*) → **Matrox Graphics Software (remove only)** → **Change/Remove** → **Yes**. (* Depending on your version and configuration of Windows, this part of the step may not be necessary.)
- 3 After removing Matrox software, install the latest display driver for your Matrox graphics card. You may also need to reinstall other Matrox software.



Note: Windows 2000/XP – You may need administrator rights to remove certain software. For more information, see Windows documentation.

Graphics – Extra troubleshooting

The following troubleshooting items address problems related to graphics cards.

Problem Can't use Windows, Windows reports a configuration error, and/or can't install or uninstall Matrox display driver



Note: Windows 2000/XP – You may need administrator rights to install certain software. For more information, see Windows documentation.

Cause The problem may be specific to the motherboard in your computer.

Solution There may be a software update available for your motherboard. To find out what motherboard model your computer is using, see your system manual. For more information, contact the maker of your motherboard or computer. Many motherboard or computer manufacturers have software updates available on their Web site.

Cause Files on your system may have been deleted or corrupted.

Solution Remove, then restore Matrox software. For more information, [see page 21](#).

Problem Monitor settings aren't automatically detected



WARNING: If incorrect software monitor settings are used, your display may become unusable and *some* monitors can be permanently damaged. For more information, see your monitor manual.



Note: Windows 2000/XP – To check if your monitor settings are properly selected:

- 1 Right-click your Windows desktop background, then click **Properties** → **Settings** → **Advanced** → **Monitor**. If you're using multi-display mode, select a display before clicking **Advanced**.
- 2 If you see the name of your monitor or "Plug-and-Play", your monitor settings are properly selected.
If you see the wrong monitor name or **Default monitor**, your monitor settings aren't properly selected.

Cause Your monitor may not be Plug-and-Play. Most new monitors are Plug-and-Play but many older ones aren't. Software can't automatically detect settings for monitors that aren't Plug-and-Play.

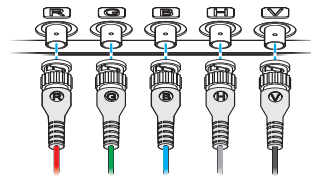
Solution Manually select your monitor settings in the software. For more information, see "Monitor setup", page 12.

Cause If a monitor was changed or added while Windows was running, the new monitor may not be detected by the software.

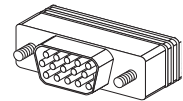
Solution Restart your computer. If your monitor is a Plug-and-Play (DDC) monitor, it should be automatically detected by the software.

Cause You may be using BNC connectors with a Plug-and-Play monitor. The Plug-and-Play feature of a monitor can't be used with BNC connectors.

Solution If there's an HD-15 connector at the back of your monitor, use this connector instead of the BNC connectors.



BNC connectors



HD-15 connector

Problem **W** **After game for Windows 2000/XP starts, monitor doesn't display properly**
(blank screen, rolling or overlapping screen images)

Cause If your game uses a low-resolution (640 × 480 and below), full-screen display mode, your monitor may not support the refresh rate the Matrox driver is using.

Solution **1** If the game is still running in full-screen mode and your monitor is unusable, exit the game. To do this, press [Alt]+[Tab] *once*, right-click the name of the game on the Windows taskbar, then click **Close**.

2 Make sure the correct monitor is selected in Windows.

Solution **1** If the game is still running in full-screen mode and your monitor is unusable, exit the game. To do this, press [Alt]+[Tab] *once*, right-click the name of the game on the Windows taskbar, then click **Close**.

2 Access the Matrox PowerDesk **Monitor Settings** property sheet (see “[Accessing PowerDesk property sheets](#)”, page 11).

3 Click **Select customizations from the Matrox list**.

4 From the Matrox monitor list, select the monitor model you're using. If your monitor model doesn't appear in the list, select a monitor that runs at 60 Hz at 640 × 480 (for example, **Standard monitor types** → **Vesa 1024X768 @60Hz** → **Next**). Follow the on-screen instructions to complete the selection.

Problem **3D and video programs don't work**

Cause Your computer or program may not work well with bus mastering.

Solution **W** Disable bus mastering:
(If you want to continue using bus mastering, see the other solutions.)

Windows 2000/XP –

1 Access the Matrox PowerDesk **Options** property sheet (see “[Accessing PowerDesk property sheets](#)”, page 12).

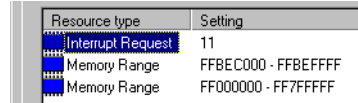
2 Clear the **Use bus mastering** check box.

3 Click **OK** → **OK** → **Yes** to accept the changes and restart your computer.

Cause Your computer may not have given an interrupt request (IRQ) to your Matrox graphics card or may have given one used by another device in your computer. This may be because your computer's “Plug-and-Play” feature is turned off.

W Windows 2000/XP – To check the display adapter’s IRQ:

- 1 Click **Start** → **Settings*** → **Control Panel** → **Performance and Maintenance*** → **System** (double-click*) → **Hardware** → **Device Manager**. (* Depending on your version and configuration of Windows, this part of the step may not be necessary.)
- 2 Click the plus sign to the left of the **Display adapters**. An “X” through an icon means the hardware has been disabled. A circled exclamation point through the icon means the hardware has a problem.
- 3 Double-click the name of your Matrox display adapter to open a properties dialog box. The type of problem is displayed in the **General** tab → **Device status** area. Check also the **Resources** tab → **Resource type** list for an **Interrupt Request**.



Resource type	Setting
Interrupt Request	11
Memory Range	FFBE0000 - FFBEFFFF
Memory Range	FF000000 - FF7FFFFF

Solution Change settings in your computer BIOS setup utility.

If your computer has the options of enabling Plug-and-Play detection, or assigning an IRQ to a VGA adapter, make sure they’re enabled. If your computer doesn’t have these options, you may be able to manually assign an IRQ to your graphics card using the BIOS setup utility.

For more information on the BIOS setup utility of your computer, see your system manual or contact your system manufacturer.

Cause Your computer’s other BIOS settings may be incorrect.

Solution Reset your computer BIOS settings to the factory defaults using your computer’s built-in BIOS setup utility. The factory defaults are usually the “safest” settings. Check your system manual for more information.

Problem **W** **Game for Windows 2000/XP doesn’t start or runs slower than normal (program uses Microsoft DirectX interface)**

Cause An older version of DirectX may be installed. The Matrox CD-ROM setup program installs DirectX, but some programs install an older version of DirectX (overwriting your version). To see what version of DirectX is installed:

- 1 Access the Matrox PowerDesk **Information** property sheet (see “[Accessing PowerDesk property sheets](#)”, page 12).
- 2 Look at the **Microsoft DirectX** label.

Solution If DirectX 8.0 or later isn’t installed, install it. Run the setup program from the *DirectX* folder of the Matrox installation CD-ROM.

Problem **W** Using multiple displays under Windows 2000/XP, program doesn't work with main graphics card

Cause Your main graphics card may not be controlling your primary display. The graphics card that controls your primary display is the one that first displays information when you restart your computer. (A DualHead-supporting graphics card may display this startup information on both of its displays at the same time.)

A program that doesn't recognize multiple displays may not work with a graphics card unless it's controlling your primary display.

Your computer BIOS (Basic Input/Output System) and the slot type (AGP, PCI, or PCIe – see “Choose an expansion slot”, page 3) of each graphics card help determine which graphics card controls your primary display.

Solution If you're having problems with a program that can be moved on your Windows desktop, run this program on your primary display. Make sure the program window doesn't overlap any other display. If the program doesn't work with the graphics card controlling your primary display, or you want your main graphics card to control your primary display, see the other solutions.

Solution Change the configuration of your computer BIOS so that the slot type of your main graphics card has priority for becoming the primary display. For information on how to change your computer BIOS settings, see your system manual.

If your computer BIOS doesn't let you select which slot type has priority for becoming the primary display, a BIOS update may be available to let you do this. (The BIOS of most computers can be updated with software.) For a possible BIOS update for your computer, contact your system vendor.

Solution If there's a graphics controller built into the motherboard of your computer, by changing your computer BIOS settings, you may be able to change which device controls your primary display. For more information, see your system manual.

Solution If you don't need to use the graphics card that's controlling your primary display, remove it from your computer. If your primary display is controlled by the motherboard of your computer, see your system manual for information on how to disable this graphics controller.

Cause The program you're using may not work properly with systems using more than one display at a time.

Solution An update may be available for the program you're using. This update may fix problems this program has with multi-display systems. For more information, contact the software distributor for the program you're using.

Solution **W**

Windows 2000/XP – For advanced users – To use a program that doesn't support multi-display systems, you can disable all displays other than your primary display:

- 1 Through the **DualHead** property sheet, make sure the *DualHead Multi-Display* feature is disabled. To access this property sheet, see “[Accessing PowerDesk property sheets](#)”, page 12.
- 2 Click **Start** → **Settings*** → **Control Panel** → **Performance and Maintenance*** → **System** (double-click*) → **Hardware** → **Device Manager**. (* Depending on your version and configuration of Windows, this part of the step may not be necessary.)
- 3 Click the plus sign to the left of the **Display adapters**.
- 4 For each display adapter, *except* for the one controlling your primary display, right-click the name of a display adapter, then click **Disable** → **Yes**.



Note: Your primary display can't be disabled.

- 5 Restart your computer for changes to take effect.



Note: To restore display adapters, repeat steps 2–5, but click **Enable** in step 4.

Problem **W**

Not all graphics cards in the computer are fully supported
(Software doesn't work with a certain graphics card, or another graphics card doesn't work at all)

Cause

If you have different models of graphics cards in your computer, your Matrox display driver may not support all the graphics cards in your computer.

Under Windows 2000/XP, a display driver may support one or more graphics cards. If a display driver doesn't support a certain card, a different display driver must be used for that card. Software that depends on a certain display driver may not work with a graphics card that's not using the same display driver.

Solution

Install the latest unified display driver for your Matrox graphics cards. (A *unified* display driver supports more than one model of graphics card.) This driver is available on the Matrox Web site (www.matrox.com/graphics). Make sure that the display driver supports *all* Matrox products in your computer. Install the display driver by running the setup program included with it.



Note: If your Matrox product was provided by the manufacturer of your computer, check the Web site of that manufacturer for the latest display driver. A display driver provided by the manufacturer of your computer is more likely to be tested with your computer model.



Note: A unified Matrox display driver may not be available for all the models of Matrox graphics cards installed in your computer (especially for older models). Under Windows 2000/XP, you can use more than one display driver in this case.

Solution If a graphics card isn't supported, you may need to remove it. If there's graphics hardware built into the motherboard of your computer that's not supported by your software, see your system manual for information on how to disable this graphics hardware.

Cause **Windows 2000/XP** – If the Windows method for display driver installation was used (instead of running the setup program included with your Matrox display driver), the driver may not be installed for all the graphics cards it supports.

Solution Run the setup program included with the Matrox display driver. The setup program automatically installs the display driver for each Matrox graphics card it supports.

Problem **W** **In multi-display mode, displays aren't numbered consecutively**

Cause If you have more than one graphics card in your computer, the display numbering may not be consecutive for the displays of a multiple-display card (for example, a DualHead supporting card). Display numbering depends on the types of expansion slots used in your computer (AGP and PCI) and the BIOS settings of your computer.



Solution **Windows* 2000/XP** – Move the displays in Windows.

(* Windows 2000/XP – In “**Separate resolutions...**” mode only.)

- 1 Right-click your Windows desktop background, then click **Properties** → **Settings**.
- 2 Select a display and move it according to the physical position of the monitor it's associated with.



Note: In multi-display mode, you may have limited control over the arrangement of your displays. For more information, see Matrox PowerDesk documentation.

Problem **W** **Screen image defects appear, program doesn't run properly, or Windows doesn't work properly**
(example: mouse pointer not drawn properly)

Cause Some programs may not work properly with some Matrox acceleration.

Solution Disable specific types of software acceleration:

Windows 2000/XP –

- 1 Access the Matrox PowerDesk **Options** property sheet (see “Accessing PowerDesk property sheets”, page 12).
- 2 Clear one or more check boxes, starting with **Use device bitmaps caching**. For more information, see context-sensitive help.
- 3 Click **OK** → **Close** to accept the changes. (Depending on the feature you disabled, you may have to restart your computer for the changes to take effect.)

Solution Disable Windows effects:

Windows 2000 –

- 1 Right-click your Windows desktop background, then click **Properties** → **Effects**.
- 2 Disable one or more features under **Visual effects**.

Windows XP –

- 1 Right-click your Windows desktop background, then click **Properties** → **Appearance** → **Effects**.
- 2 Disable one or more features.

Solution If possible, update your Matrox display driver. Matrox makes new display drivers available on the Matrox Web site (www.matrox.com/graphics).



Note: If your Matrox product was provided by the manufacturer of your computer, check the Web site of that manufacturer for the latest display driver. A display driver provided by the manufacturer of your computer is more likely to be tested with your computer model.

Solution Disable Matrox hardware acceleration:

Windows 2000/XP –

- 1 Right-click your Windows desktop background, then click **Properties** → **Settings** → **Advanced** → **Troubleshooting** (or **Troubleshoot**).
- 2 Move the **Hardware acceleration** slider to **None**.
- 3 Click **OK** → **OK** to accept the changes.

Problem Program window or dialog box doesn't appear on screen

Cause Another window or dialog box may be covering the window or dialog box you want to see.

Solution Move, close, or minimize any window or dialog box that may be covering the window or dialog box you want to see.

Cause If you're using multi-display mode, the program window or dialog box may be in a display or on a monitor that's unusable. (For example, your monitor may not be properly connected or configured.)

Solution Make sure all the displays and monitors you want to use are usable. For more information, see other troubleshooting items in this guide.

Cause The software may be using a display you didn't intend to use or the software may be configured to use more displays than the actual number of monitors you have. (For example, you may be in DualHead Multi-Display mode but you only have one monitor.)

Solution Disable the display:

W

Windows* 2000/XP –

(* In “**Separate resolutions...**” mode only.)

- 1 Right-click your Windows desktop background, then click **Properties** → **Settings**.
- 2 Select the display you want to disable, then clear the **Extend my Windows desktop onto this monitor** check box.
- 3 Click **OK** or **Apply** for your changes to take effect.

Windows* 2000/XP –

(* In “**Same resolutions...**” mode only.)

- 1 Access the Matrox PowerDesk **Settings** property sheet (see “[Accessing PowerDesk property sheets](#)”, page 12).
- 2 Move the **Desktop area** slider until the number of displays used matches the number of monitors connected, then click **OK** to accept your changes. (The display you disable must be the last one, if it's not, to change your display configuration, see [page 28](#).)

Cause The program window or dialog box may be somewhere off-screen.

W

Solution If the program window you want to see is named on the Windows taskbar, right-click on it and select **Maximize**. (If you click **Restore** the program window goes back to its previous position. To fix this problem, see the other solutions.)

Solution Manually move the program window or dialog box:


- 1 Press [Alt]+[Space].
- 2 If you see a pop-up menu, click **Move**. If you don't see a pop-up menu, press [M] (for **Move**).
- 3 Press on one of the arrow keys once and move your mouse pointer to where you want the window or dialog box to appear, then click. The program window or dialog box should appear where you clicked.

Solution Windows 2000/XP – Use the **Move All Windows to Primary Display** feature to move the program window or dialog box. Simply press the keyboard shortcut assigned to this feature.

To assign a keyboard shortcut to this feature:

- 1 Right-click the Matrox QuickDesk icon () on your Windows taskbar, then click **Hot Keys**.
- 2 Create a keyboard shortcut for the **Move All Windows to Primary Display** feature.

Solution Windows 2000/XP –

- 1 Click the Matrox QuickDesk icon () on your Windows taskbar, then click **Multi-Display Controls**.
- 2 Enable one or more of the following features:
 - **Open program windows in display**
 - **Use CenterPOPUP**
 - **Center dialog boxes**
- 3 Choose where you want the program window or dialog box to appear.

For more information, see Matrox PowerDesk help.

Problem Display on digital monitor appears blurry or uses only a portion of the screen

Cause You may be using a lower display resolution than what your digital monitor supports. If your monitor supports display scaling, the image on your screen may appear blurry. If display scaling isn't supported, the display may use only a portion of your screen.

Solution Select the highest display resolution available. This generally results in better image quality. (While using two digital monitors at the same time, certain limitations may apply. For more information, [see page 39.](#))

Video

The following troubleshooting items address problems related to video files.

Problem Video file playback is jerky (skipping frames)



Note: Jerky video file playback may be the result of slow playback or recording. Slow recording causes frames to be dropped (frames aren't recorded). If jerky video is caused by frames that were dropped during recording, the problem can only be fixed by recapturing the video under better conditions.

Cause Your hard disk may be too slow.

Solution Try *defragmenting* your hard disk. To defragment a hard disk:



Windows 2000/XP – Click **Start** → **Programs** (or **All Programs**) → **Accessories** → **System Tools** → **Disk Defragmenter**.

Solution If possible, try using a faster disk.



Tip: If your computer has more than one hard disk, you may get better results if you play back video files from a disk *other than* the one where the Windows swap file is stored. The Windows swap file is usually stored on drive “C:”.

Solution Make sure the drive you're using (a hard disk drive or DVD drive) is using DMA (if your drive supports DMA transfers). To use DMA:



WARNING: Not all drives support DMA well. For more information, see the documentation that came with your hard disk.

Windows 2000/XP –

- 1 Click **Start** → **Settings*** → **Control Panel** → **Performance and Maintenance*** → **System** (double-click*) → **Hardware** → **Device Manager**. (* Depending on your version and configuration of Windows, this part of the step may not be necessary.)
- 2 Double-click the **IDE ATA/ATAPI controllers** list item to expand it, then double-click the name of the appropriate controller.
- 3 Change each **Transfer Mode** setting to “**DMA if available**”.
- 4 Click **OK** to accept the changes.

Cause Too many programs may be running (using up computer resources).

Solution Close other programs, including memory-resident programs like **System Agent**.

Cause Your display settings may be too high. As a result, video file playback may not be fully supported by your Matrox hardware.

Solution
W Try lowering your display settings. We recommend a 1024 × 768 or lower display resolution with a 16-bit color palette.

Cause Your Matrox graphics card may be sharing an IRQ (interrupt request) with another PCI card in your computer (for example, a network card).

Solution Try moving the PCI card to another PCI slot in your computer. For more information, see the documentation for this card or see your system manual.

Problem Can't view video

Cause Your display settings may be too high.

Solution Try lowering your display settings (resolution, color palette, and/or refresh rate). For information on changing display settings, see “Display setup”, page 12.

Cause Under certain conditions, certain video may not be viewable with your secondary display.

Solution Try using your main display instead.

Problem Mouse pointer flickers or disappears when it's over a video window

Cause You may be using a customized mouse pointer. Windows draws customized mouse pointers in a way that may cause them to flicker or disappear while they're over a video window.

Solution
W **Windows 2000/XP** – Use default Windows mouse pointers:

- 1** Click **Start** → **Settings*** → **Control Panel** → **Printers and Other Hardware** → **Mouse**.
(* Depending on your version and configuration of Windows, this part of the step may not be necessary.)
- 2** Click the **Pointers** tab.
- 3** In the **Scheme** box, select (or reselect) “**(None)**”, then click **OK**.

Cause You may be viewing digital video with the secondary display of your DualHead-supporting graphics card. On a secondary display, mouse pointers are drawn in a way that may cause them to flicker or disappear while they're over a video window.

Solution View digital video with the main display of your DualHead-supporting graphics card.

DVD

The following troubleshooting items address problems related to DVD. (For general video-related troubleshooting items, see “Video”, page 32.)

Problem DVD video playback is jerky (skipping frames)

Cause Your DVD drive may be too slow.

Solution If your DVD drive supports DMA transfers, enable this feature (see page 32).

Problem Can't play certain DVD videos

Cause A DVD video may not play back because the region setting on your DVD player doesn't match the region code on the DVD-ROM disc. DVD players and videos use region codes to prevent the playback of video that was intended only for a certain region or market.

Solution To get a copy of a DVD video that's compatible with the region code of your DVD player, contact the vendor of that video.

Problem Can't record DVD video

See “Can't record video with a video recorder”, page 36

TV output

The following troubleshooting items are related to TV output support (see “TV output”, page 34).

Problem TV image is garbled or unusable (a blank screen, or rolling or overlapping screen images)

Cause Your TV or video recorder may not be properly connected.

Solution Make sure your TV or video recorder is properly connected. For more information, see “Connection setup”, page 6.

Cause Your TV or video recorder may not be properly set up.

Solution If a TV is connected to your Matrox graphics card and the TV has a **TV/VIDEO** switch, set it to **VIDEO**. For more information, see your TV manual.

Solution If a video recorder is connected to your Matrox graphics card and the video recorder has a **TUNER/LINE** switch, set it to **LINE**. For more information, see your video recorder manual.

Cause Matrox software may not be set up for TV output. Particularly, the TV standard selected may not be correct.

Solution Windows 2000/XP – see “Software setup”, page 16.

Cause TV output isn’t supported with full-screen DOS display modes (for example, the information you see before Windows starts) or with standard VGA mode (for example, when you restart Windows in “safe mode”). Older programs may use these display modes. While one of these display modes is in use, your TV displays nothing (black).

Solution View the program you’re using with your computer monitor instead of your TV.

Problem Computer text is hard to read with a TV

Cause The resolution of a TV is lower than a typical computer display. As a result, some text may be harder to read with a TV than with a computer monitor.

Solution
W Lower your computer display resolution:
Windows 2000/XP –

- 1 Right-click your Windows desktop background, then click **Properties** → **Settings**.
- 2 Move the **Screen area** (Windows 2000) or **Screen resolution** (Windows XP) slider to a lower setting.
- 3 Click **OK** to close the dialog box and apply changes.

Solution
W If you’re using a display area larger than 640 × 480, you can use larger system fonts to make some text more readable:

Windows 2000/XP –

- 1 Right-click your Windows desktop background, then click **Properties** → **Settings** → **Advanced** → **General**.
- 2 Under **Font size**, select **Large Fonts**.
- 3 Click **OK** to close the dialog box and apply changes.

Problem Poor TV or video recorder image quality

Cause Your software TV settings may need adjusting.

Solution See “Software setup”, page 16.

Cause There may be too many video devices between your video source and destination, or one or more of the video devices may be degrading the quality of the video signal. Demodulators, long cables, cable extensions and improper connections can all affect video signal quality.

Solution If your video equipment supports it, use S-video connections. For more information, see “[Connection setup](#)”, page 6.

Solution Try changing one or more video devices.

Solution If possible, use fewer connections. For example, don’t use cable extensions.

Cause The image settings on your TV may need adjusting.

Solution Some TVs have an aperture control sometimes called **PICTURE**. Lowering this setting may reduce this problem. Reducing your TV’s brightness setting may also improve image quality. For more information, see your TV manual.

Problem Can’t record video with a video recorder

Cause The video source may be copy protected. Your Matrox product may not let you make copies of copy-protected video. (Some video sources let you make a copy of a video, but you may not be able to make a copy of that copy.)

Solution To get copies of a copy-protected video, contact the vendor of the video.

Problem Video appears stretched or squished on a TV

Cause **W** **Windows 2000/XP** – If you’re using the *DualHead DVDMax* feature to view video full-screen on your TV, the aspect ratio of a video may not match the aspect ratio of your TV.

Solution Adjust software settings:

- 1 Access the Matrox PowerDesk **DualHead** property sheet (see “[Accessing PowerDesk property sheets](#)”, page 12).
- 2 Click **DVDMax Options**.
- 3 Select **Preserve aspect ratio**.
- 4 Select the aspect ratio of your TV (4:3 or 16:9 – most TVs are 4:3).
- 5 Select **Detect based on video window size**.
- 6 Click **OK** or **Apply** for your changes to take effect.

Sound

The following troubleshooting items address problems related to sound cards.

Problem Sound doesn't record, video files play back with no sound, or sound output is distorted or too loud

Cause If the sound problem is with a particular device (for example, TV or speaker), the volume control on the device itself may need adjusting.

Solution Adjust the volume control on the device itself.

Cause Audio cables may be loose or incorrectly wired.

Solution Make sure your sound card cables are properly connected (see “Connect audio output”, page 16).

Cause Your sound card's Windows software settings may be incorrect. Specifically, input or output may be disabled, or volume levels may be too low or too high.

Solution **W** **Windows 2000/XP** – Make sure your sound card's Windows software settings are correct.

1 Double-click the speaker icon ( or ) on the Windows taskbar.

If you *don't* see the speaker icon:

Windows 2000 –

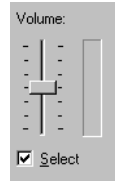
- a** Click **Start** → **Settings** → **Control Panel**.
- b** Double-click the **Multimedia** or **Sounds and Multimedia** icon.
- c** Enable the “**Show volume control on the taskbar**” check box.
- d** Click **OK**.
- e** Double-click the speaker icon on the taskbar.

Windows XP –

- a** Click **Start** → **Settings*** → **Control Panel** → **Sound, Speech and Audio Devices** → **Sounds and Audio Devices*** (double-click*). (* Depending on your configuration of Windows, this part of the step may not be necessary.)
- b** Enable the “**Place volume icon in the taskbar**” check box.
- c** Click **OK**.
- d** Double-click the speaker icon on the taskbar.

2 Click **Options** → **Properties**.

- 3 Click the **Recording** button, enable all check boxes in the list box, then click **OK**.
- 4 For the **Line In** and/or **Microphone** controls, make sure the **Volume** slider levels are okay (if you're not sure, try half level), and the appropriate **Select** check box is enabled.
- 5 Click **Options** → **Properties**.
- 6 Click the **Playback** button, enable all check boxes in the list box, then click **OK**.
- 7 For the **Master**, **Line**, **Aux**, and/or **Wave** controls, make sure the **Volume** sliders are at one-quarter to one-half levels (if you're not sure, try half level), and the **Mute** check boxes are cleared.
- 8 Close the dialog box.



Note: Depending on your sound driver, certain labels may be different. For example, **Line In** may be labeled **Line**.

Cause The problem may be specific to the sound card you have.

Solution For more information, see your sound card manual.

More information

We provide additional information in help and *Readme* files. Be sure to check for any last-minute release notes included with your product and in the Matrox CD-ROM *Readme* file. Also, check the Matrox Web site (www.matrox.com/graphics) for the latest Matrox software, technical support, and product information. This guide is available on the CD-ROM as an Adobe Acrobat file (*Doc\English\Guide\Guide_en.pdf*).

Display information

- Your Matrox graphics card is 100% VGA compatible and supports all VESA standards: VBE 2.0 (Super VGA modes), DPMS (energy saving), and DDC-2B (Plug-and-Play monitor).
- Matrox graphics cards that can support a secondary display have the Matrox *DualHead* feature.
- The secondary display of your graphics card only supports a 16- or 32-bit color palette.
- 3D acceleration is only available with a 16- or 32-bit color palette.
- The display resolutions available depend on your Matrox graphics card, display driver and software monitor settings. Different software monitor settings have different resolutions available to them. With your software monitor settings, some of the resolutions listed in this section may not be available, *or* resolutions not listed in this section may be available. For more information on software monitor settings with Windows 2000/XP, see “[Monitor setup](#)”, page 12.
- Many Plug-and-Play monitors don’t automatically report if they’re capable of 1152 × 864, or 1600 × 1200 and higher display resolutions. To use these resolutions, or higher refresh rates than those reported by the monitor, you can use the Matrox monitor selection method. To use Matrox monitor settings with Windows 2000/XP, see “[Monitor setup](#)”, page 12.
- The maximum refresh rates listed in this section have been rounded and are based on a monitor with a maximum horizontal refresh rate of 130 kHz. Depending on your monitor, refresh rate capabilities may vary. For information on the capabilities of your monitor, see your monitor documentation.
- If you’re using BNC connectors with a Plug-and-Play monitor, the Plug-and-Play feature of your monitor can’t be used. To use the Plug-and-Play feature of your monitor, instead of the BNC connectors, use the 15-pin connector at the back of your monitor.
- In multi-display mode, each monitor has its own monitor settings (refresh rates).
- **LFH-60 and Dual-DVI** – If you’re using two digital monitors at the same time, your Matrox hardware uses the same display resolution for both your monitors. If you select different resolutions for your displays, one of your displays may use only a portion of the screen (the rest of the screen will be black). To avoid having only a portion of the screen used, we recommend you select the highest display resolution available. The highest display resolution available is the highest resolution supported by both monitors. If one of your monitors supports a higher resolution, it may use display scaling to fill the entire screen. For more information on what your monitors support, see their documentation.

- You may experience problems viewing certain types of video (for example, DVD video). If you experience this problem, try lowering your display settings (resolution, color palette, and/or refresh rate). If you're having problems viewing video with your secondary display, try using your main display instead. For information on changing display settings, see [“Display setup”](#), page 12.

Supported VESA modes (main display)

In the table below, VESA modes supported by your Matrox graphics card are indicated by a VESA mode number. Many Super VGA DOS programs use VESA modes.

Display resolution	16 colors	256 colors	32 K colors	64 K colors	16 M colors
640 × 400	—	100	—	—	—
640 × 480	(VGA)	101	110	111	112
800 × 600	102	103	113	114	115
1024 × 768	—	105	116	117	118
1280 × 1024	—	107	119	11A	11B

Hardware information

Features

	Millennium G550	Millennium G550 Low-profile PCI	Millennium G550 PCIe
Graphics chip	Matrox G550 (256-bit DualBus)	Matrox G550 (256-bit DualBus)	Matrox G550 (256-bit DualBus)
Main RAMDAC	360 MHz	360 MHz	360 MHz
Secondary RAMDAC	230 MHz	230 MHz	230 MHz
Memory	32 MB	32 MB	32 MB
Memory type	DDR (Double Data Rate) SDRAM	DDR (Double Data Rate) SDRAM	DDR (Double Data Rate) SDRAM
DualHead*	✓	✓	✓
TV output† (Composite video and S-video, NTSC and PAL)	✓	✓	✓
Card type	AGP 2× and 4× compatible	PCI	PCIe x1
Form factor	ATX or low-profile	Low-profile	ATX or low-profile

* For Matrox products with a single connector, DualHead is supported with a dual-monitor cable (see [“Connection setup”](#), page 6).

† See [“TV output”](#), page 14.

Environmental specifications

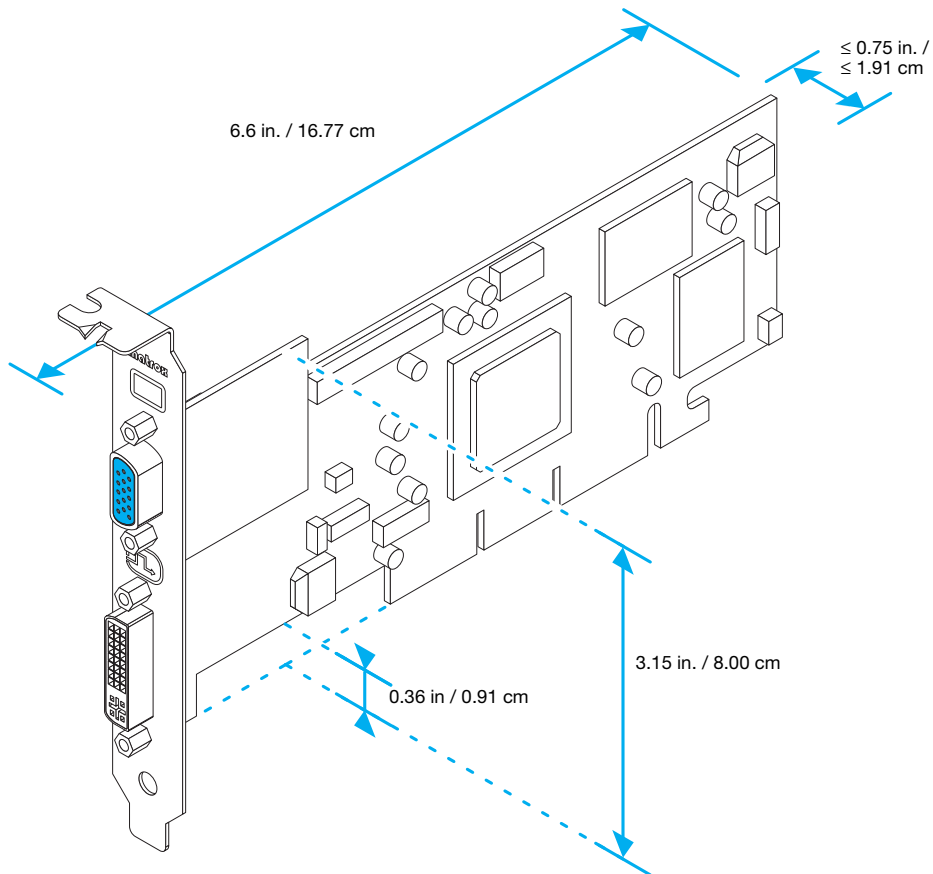
- Minimum/maximum ambient operating temperatures: 0 to 55° C
- Minimum/maximum storage temperature: -40 to 75° C
- Maximum altitude for operation: 3,000 meters
- Maximum altitude for transport: 12,000 meters
- Operating humidity: 20 to 80% relative humidity (non-condensing)
- Storage humidity: 5 to 95% relative humidity (non-condensing)
- Estimated MTBF (Mean Time Before Failure): 19 years – for the model with the lowest estimated MTBF under normal working conditions
- Power consumption: ~11.4 W (PCB: 7012-02; Main display: 1600 × 1200, 16 bits, 92 Hz; Secondary display: 1600 × 1200, 16 bits, 85 Hz)

Digital monitor information (certain models only)

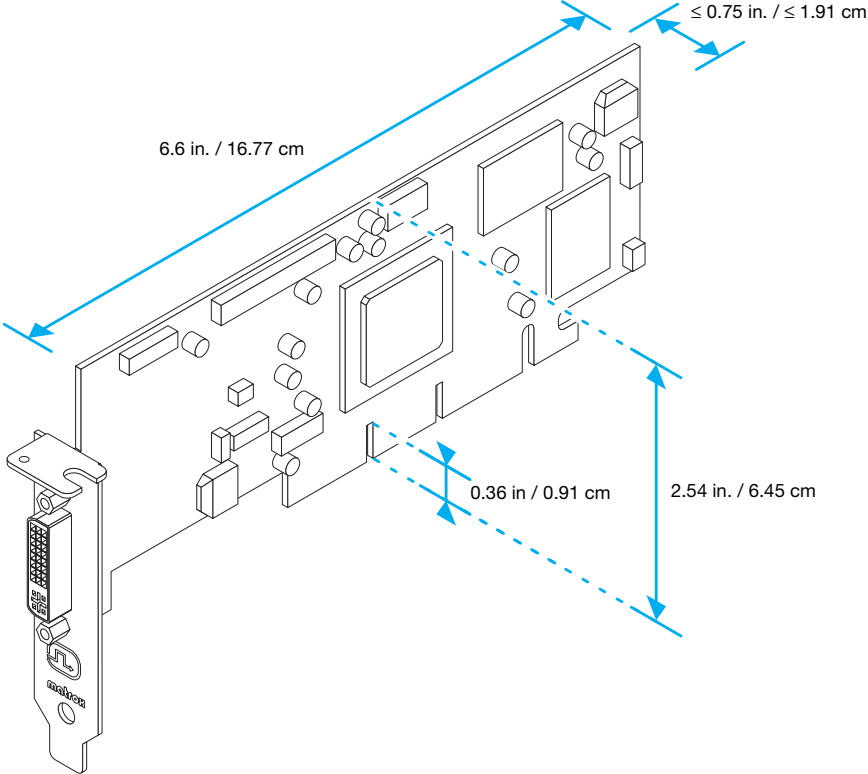
- TMDS (Transition Minimized Differential Signaling) encoding based on the Silicon Image Panellink standard*
- DDWG (Digital Display Working Group) compliant DVI connector
- EDID (Extended Display Identification Data) 1.2, 1.3 (without the extended data block), and 2.0 support

* While using 2 digital monitors at the same time, certain limitations may apply. For more information, [see page 39](#).

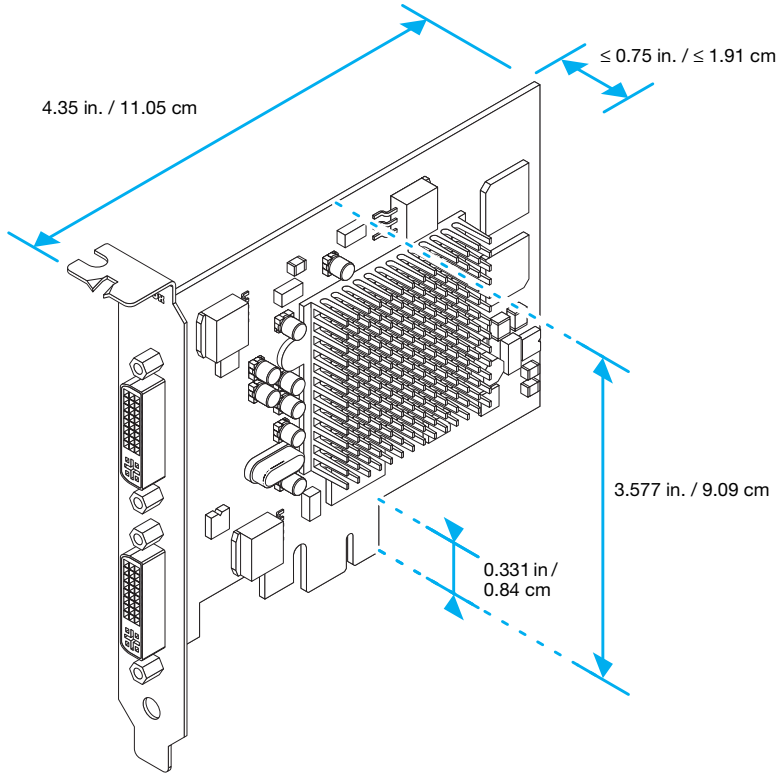
Maximum card dimensions for ATX cards (AGP version)



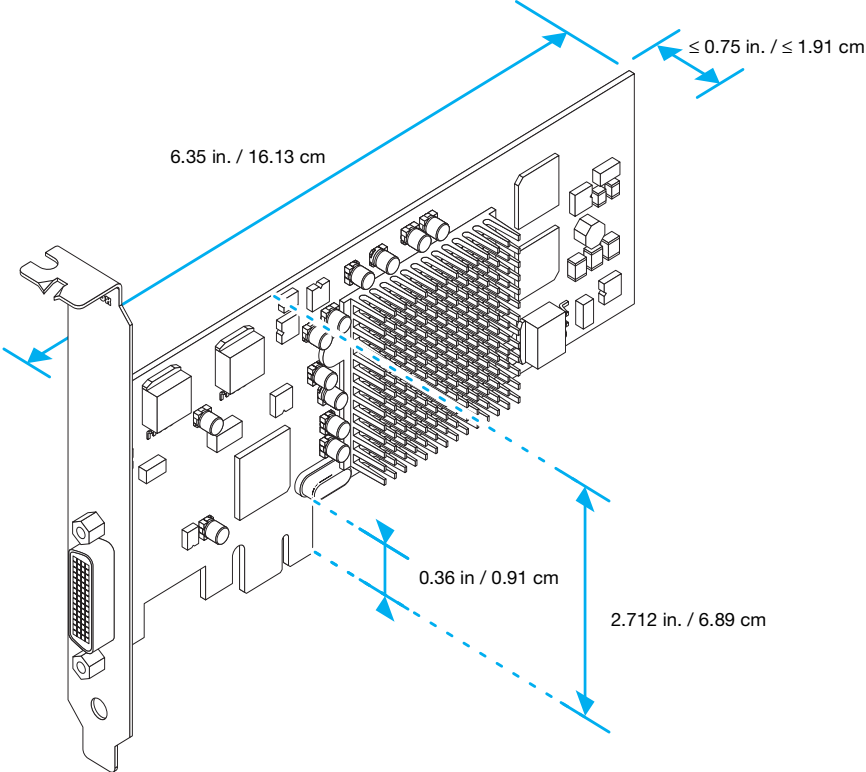
Maximum card dimensions for low-profile cards (AGP version)



Maximum card dimensions for ATX cards (PCIe version)



Maximum card dimensions for low-profile cards (PCIe version)



Customer support

Matrox Web and FTP sites

Matrox is on the Internet with a World Wide Web (WWW) and File Transfer Protocol (FTP) site. Our Web site has product literature, press releases, technical material, a sales office list, trade show information, and other relevant material. Our FTP site contains current drivers for Matrox products. You can download drivers using the Internet FTP site. You can access our FTP server independently, or from the Matrox Web site.

Our address for Matrox Graphics Inc. is:

WWW – www.matrox.com/graphics/

FTP – [ftp.matrox.com/pub/mga/](ftp://ftp.matrox.com/pub/mga/)

Send questions or comments regarding the site to:

e-mail – webmaster@matrox.com

If you have a problem

If you have a problem, we recommend that you follow the procedure below for the quickest results.

- 1 Contact your dealer** – This is usually the quickest and most effective method of technical assistance. Your dealer is local and may be familiar with your complete system. In the case of hardware warranty assistance, the product must be returned to the dealer, who will return it to Matrox.
- 2 If your Matrox product was provided by your computer manufacturer, contact this manufacturer.** For contact information, see your computer documentation or contact the vendor.
- 3 Direct Matrox technical support** – If you still can't resolve a problem (and your Matrox product wasn't provided by your computer manufacturer), you can get direct technical assistance this way:
 - Visit our technical support Web site at www.matrox.com/graphics/support/tech_support/home.cfm.
 - Visit our technical support forum at www.matrox.com/graphics/support/forum/agree.cfm.
 - See our FAQs (Frequently Asked Questions) at <http://forum.matrox.com/mga/>.

- Write a letter to Graphics Customer Support at our Corporate Headquarters. The address is: Matrox Graphics Inc., 1055 Saint Regis Boulevard, Dorval, QC, Canada, H9P 2T4.

Information we need

Please give a complete description of the problem, and include:

- Matrox card serial number, model number, revision number, BIOS number, driver type and version, and memory address at which the Matrox card is installed.
- Computer brand name, system BIOS manufacturer and version number or date, bus type, model, processor speed, and amount of memory.
- Monitor brand and model name.
- Operating system and version.
- If you're using a memory manager, its brand and version. Also, list any memory-resident programs in use.
- If you're using a network card, its brand and version.
- Brand and model of any other cards and devices installed on your system.

Program specific problems

If a problem appears with a specific program, please give us the following information:

- Display settings (color palette, display resolution, and so on) applied when the problem occurs.
- Program name and version. Name any add-on packages you're using.
- If possible, take note of the file and segment address that caused the problem.
- Detailed steps known to cause the bug, so we can reproduce it.



Where to get information

For display information:

- Windows 2000/XP – Access the **Information** property sheet (see “[Accessing PowerDesk property sheets](#)”, page 11).

For system information:

- Windows 2000 – Right-click the **My Computer** icon on your Windows desktop background, then click **Properties**.
- Windows 2000/XP – Click **Start** → **Programs** (or **All Programs**) → **Accessories** → **System Tools** → **System Information**.
- Windows XP – Click **Start** → **Settings*** → **Control Panel** → **Performance and Maintenance*** → **System** (double-click*). (* Depending on your configuration of Windows, this part of the step may not be necessary.)

Warranty

A. Limited Warranty Statement

1. Matrox Graphics Inc. ("Matrox") warrants to the end-user customer, who provides adequate proof of purchase that Matrox hardware products purchased from Matrox authorized dealers will be free from defects in materials and workmanship for a period of 3 years from the date of purchase. This warranty applies only to the original end-user purchaser and is non-transferable. Conditions and limitations of Matrox's warranty are stated below.
2. Matrox's limited warranty covers only those defects which arise as a result of normal use of the hardware and does not apply to any:
 - a. improper or inadequate maintenance;
 - b. incompatibilities due to the user's hardware or software applications with or in which the Matrox product interfaces;
 - c. product of a special or custom-made nature;
 - d. unauthorized modification or misuse;
 - e. improper installation, misapplication or negligence;
 - f. operation outside the product's environmental specifications;
 - g. improper site preparation or maintenance;
 - h. software;
 - i. other causes that do not relate to a product defect;
 - j. defects or damage suffered as a result of force majeure (including theft);
 - k. defects or damage suffered as a result of normal wear and tear, and/or
 - l. stolen goods.
3. If Matrox receives, during the applicable warranty period, notice of a defect in a warranted hardware product and the defective Matrox product in question, Matrox shall at its sole option, either repair or replace the product, and shall return the repaired product or a replacement product within a reasonable delay. The replacement product may not be new, provided that it has functionality at least equal to that of the product being replaced.
4. This warranty is valid in any country where Matrox hardware products are distributed by Matrox or its authorized dealers.
5. This Limited Warranty Statement gives the customer specific legal rights. The customer may also have other rights which vary from state to state in the United States, from province to province in Canada, and from country to country elsewhere in the world.

B. Limitations of Warranty

1. NEITHER MATROX NOR ANY OF ITS THIRD PARTY SUPPLIERS MAKES ANY OTHER WARRANTY OF ANY KIND, WHETHER EXPRESSED OR IMPLIED, WITH RESPECT TO MATROX PRODUCTS. MATROX SPECIFICALLY DISCLAIMS (and the customer, by accepting the Matrox product, specifically accepts such disclaimer and waives) ALL OTHER WARRANTIES, EITHER EXPRESSED OR IMPLIED, INCLUDING BUT NOT LIMITED TO THE IMPLIED WARRANTIES OF MERCHANTABILITY AND FITNESS FOR A PARTICULAR OR INTENDED PURPOSE OR USE AND THE WARRANTY AGAINST LATENT DEFECTS, WITH RESPECT TO THE HARDWARE AND/OR SOFTWARE. MATROX FURTHER DISCLAIMS ANY WARRANTY THAT MATROX PRODUCTS, IN WHOLE OR IN PART, WILL BE FREE FROM INFRINGEMENT OF ANY THIRD PARTY INTELLECTUAL PROPERTY OR PROPRIETARY RIGHTS.
2. To the extent that this Limited Warranty Statement is inconsistent with the law of the locality where the customer purchases the Matrox product, this Limited Warranty Statement shall be deemed modified to be consistent with such local law. Under such local law, certain limitations of this Limited Warranty Statement may not apply to the consumer.
3. To the extent allowed by local law, the remedies provided in this Limited Warranty Statement are the customer's sole and exclusive remedies.

C. Limitations of Liability

1. EXCEPT FOR THE OBLIGATIONS SPECIFICALLY SET FORTH IN THE LIMITED WARRANTY STATEMENT, IN NO EVENT SHALL MATROX BE LIABLE FOR:
 - a. any direct, indirect, special, incidental, consequential, foreseeable or unforeseeable, or punitive damages, whether based on contract, tort, delict or any other legal theory and whether advised of the possibility of such damages, and/or
 - b. damages arising from the loss of use, data, production revenue and/or profit of in connection with the Matrox product or any business interruption.
2. Without prejudice to the foregoing, any liability of Matrox for any breach of warranty shall be limited to the amount paid by the customer for the defective hardware in question.
3. To the extent allowed by local law, Matrox's entire liability and the customer's exclusive remedy shall be the repair or replacement of any defective product during the warranty period. Matrox does not offer any other warranty with respect to Matrox hardware or software or any other hardware or software.
4. Customer shall be responsible for all applicable taxes, duties and customs fees on any replacement unit, as well as all transport, insurance, storage and other charges incurred on all returned products.

D. Obtaining Service

1. Verify that your Matrox product was installed and configured according to the information in its accompanying documentation.
2. Read the "Troubleshooting" information included with the Matrox product to see if you can solve the problem yourself.
3. If you are still experiencing difficulties, please contact your dealer where you purchased your Matrox product.
4. If you must return a Matrox product, leave the configuration as it was when you were using it, and leave all identification stickers on the product. Pack the product in its original box and return to your Matrox dealer where the product was purchased, together with your proof of purchase. Your Matrox dealer will return the product for you. Alternatively, if this first option is unavailable to you, you may contact the Matrox Technical Support group who will issue an Return Merchandise Authorization (RMA) number, upon receipt of adequate proof of purchase, and inform you of shipping instructions. DO NOT RETURN THE PRODUCT TO MATROX WITHOUT MATROX'S RMA NUMBER AND EXPRESS AUTHORIZATION.

E. General

This limited warranty shall be governed by the laws of the Province of Quebec, Canada and the federal laws of Canada applicable therein and the courts of the Province of Quebec shall have exclusive jurisdiction to hear and decide any dispute instituted by the customer in connection with this limited warranty; the customer waives, by accepting the product, its rights to institute proceedings in connection with this warranty against Matrox in any jurisdiction other than Quebec.

Software license agreement

Single User Products This Matrox software (the "Software") is copyrighted by Matrox Graphics Inc. All rights are reserved. The purchaser is granted a license to use the software only, subject to the following restrictions and limitations:

1. The license is for the original purchaser only, and is not transferable without written permission of Matrox.
2. The original purchaser may use the Software on a single computer owned or leased by the original purchaser. You may not use the Software on more than a single computer, even if you own or lease more than one computer, without written consent of Matrox.
3. The original purchaser may make back-up copies of the Software for his or her own use only, subject to the use limitations of this license.
4. The original purchaser may not engage in, nor permit third parties to engage in, any of the following:
 - Providing or disclosing the Software to third parties.
 - Providing use of the Software in a computer service business, network, time-sharing, multiple CPU or multi-user arrangement to users who are not individually licensed by Matrox.
 - Making alterations or copies of any kind in the Software (except as specifically permitted above).
 - Attempting to unassemble, de-compile or reverse engineer the Software in any way.
 - Granting sublicenses, leases, or other rights in the Software to others.
 - Making copies, or verbal or media translations, of the user's guide.
 - Making telecommunication data transmissions of the Software.

Matrox reserves the right to terminate this license if there is a violation of its term or default by the Original Purchaser. Upon termination, for any reason, all copies of the Software must be immediately returned to Matrox, and the Original Purchaser shall be liable to Matrox for any and all damages suffered as a result of the violation or default.

Limited warranty Matrox warrants to you, for a period of 90 days normal use from your date of purchase, that:

1. The CD/disks on which the software is furnished and the documentation are not defective.
2. The Software is properly recorded upon the CD/disks included.
3. The documentation is substantially complete and contains all the information Matrox deems necessary to use the software.
4. The Software functions substantially as described in the documentation.

Matrox's entire liability and your exclusive remedy shall be the replacement of any CD/Disks or documentation not meeting these warranties, which is returned to Matrox or an authorized dealer, together with a copy of your paid receipt. The above is the only warranty of any kind, either express or implied, including, but not limited to the implied warranties of merchantability and fitness for a particular use that is made by Matrox on this Licensed Software. In no event shall Matrox be liable to you or to any third party for consequential, special, indirect or incidental damages which you may incur as a result of using the licensed software, including, but not limited to, loss of data, or information of any kind which you may experience.

Index

A

Address, Matrox 47
AGP 3

B

BIOS 19, 25, 26
BNC monitor connection 20, 23
Bus mastering 24

C

CD-ROM, Matrox 25
Connector 9
 LFH-60 9
Customer support 46–47, 49–50

D

DirectX 25
Display
 Information 39–40
 Modes 14
 Primary 19, 26
 Setup 12–13
DualHead 13, 36, 39

E

Expansion slots 18

F

FTP, Matrox 46

H

Hardware
 Acceleration 29
 Information 41–45
 Installation 2–4

I

Installation
 Hardware 2–4
 Software 11
IRQ 24

L

Low-profile
 Bracket 5

M

Monitor
 Connection setup 4, 6–10
 Setup 12–13
Multi-display
 Mode 12, 21
 Setup 13

P

PCI 3
PCI Express 3
Plug-and-Play 12
PowerDesk 12, 13
 Property sheets 12

S

Software
 Installation 11
Sound output 16

T

Technical assistance 46
Troubleshooting 18–38
 DVD 34
 Sound 37–38
 TV output 34–36
 Video 32–33
TV output
 Adapter 14
 Connection setup 14–16
 Software setup 16–17
 Troubleshooting 34–36

U

Unified display driver 27

V

VESA 39, 40
VGA 39, 40

W

Warning 2, 3, 4, 6, 9, 12, 14, 21,
 22, 32
warning 1
Warranty 49–50
Web, Matrox 46

Thank you for choosing Matrox

Please register online (<http://www.matrox.com/graphics/registration/home.cfm>) to be eligible for customer support, new product announcements, and information on special offers and upcoming events.

USA

FCC Compliance Statement



Remark for the Matrox hardware products supported by this guide This equipment has been tested and found to comply with the limits for a Class B digital device, pursuant to Part 15 of the FCC Rules. These limits are designed to provide reasonable protection against harmful interference in a residential installation. This equipment generates, uses and can radiate radio frequency energy and, if not installed and used in accordance with the instructions, may cause harmful interference to radio communications. However, there is no guarantee that interference will not occur in a particular installation. If this equipment causes harmful interference to radio or television reception, which can be determined by turning the equipment off and on, the user is encouraged to try to correct the interference by one or more of the following measures: • Reorient or relocate the receiving antenna • Increase the separation between the equipment and receiver • Connect the equipment into an outlet on a circuit different from that to which the receiver is connected • Consult the dealer or an experienced radio/TV technician for help.

WARNING Changes or modifications to this unit not expressly approved by the party responsible for the compliance could void the user's authority to operate this equipment. The use of shielded cables for connection of the monitor to the card is required to meet FCC requirements.

Declaration of conformity of a Class B digital device according to the FCC rules

We, the Responsible Party Matrox, 625 State Route 3, Unit B, Plattsburg, NY 12901 • Telephone: (514) 822-6000 (extension 2026) • Attention: Conformity Group Matrox

Declaration The Matrox hardware products supported by this guide comply with Part 15 of the FCC Rules. Operation is subject to the following two conditions: (1) these devices may not cause harmful interference, and (2) these devices must accept any interference received, including interference that may cause undesired operation. Any question regarding this declaration should be forwarded to the above coordinates.

CANADA

(English) Industry Canada Compliance Statement

Remark for the Matrox hardware products supported by this guide These digital devices do not exceed the Class B limits for radio noise emission from digital devices set out in the Radio Interference Regulation of Industry Canada.

(Français) Conformité avec les exigences du ministère de l'Industrie Canada

Remarque sur les produits matériels Matrox couverts par ce guide Ces appareils numériques n'émettent aucun bruit radioélectrique dépassant les limites applicables aux appareils numériques de Classe B prescrites dans le Règlement sur le brouillage radioélectrique édicté par Industrie Canada.

JAPAN

VCCI Compliance Statement



Remark for the Matrox hardware products supported by this guide This is a Class B product based on the standard of the Voluntary Control Council for Interference from Information Technology Equipment (VCCI). If this is used near a radio or television receiver in a domestic environment, it may cause radio interference. Install and use the equipment according to the instruction manual.

この装置は、情報処理装置等電波障害自主規制協議会（VCCI）の基準に基づくクラスB情報技術装置です。この装置は、家庭環境で使用することを目的としていますが、この装置がラジオやテレビジョン受信機に近接して使用されると、受信障害を引き起こすことがあります。

取扱説明書に従って正しい取り扱いをして下さい。

(English) European user's information – Declaration of Conformity

Remark for the Matrox hardware products supported by this guide These devices comply with EC Directive 89/336/EEC for a Class B digital device. They have been tested and found to comply with EN55022/CISPR22 and EN55024/CISPR24. In a domestic environment these products may cause radio interference in which case the user may be required to take adequate measures. To meet EC requirements, shielded cables must be used to connect the monitor and other peripherals to the card. These products have been tested in a typical class B compliant host system. It is assumed that these products will also achieve compliance in any class B compliant system.

(Français) Informations aux utilisateurs Européens – Déclaration de conformité

Remarque sur les produits matériels Matrox couverts par ce guide Ces unités sont conformes à la directive communautaire 89/336/EEC pour les unités numériques de classe B. Les tests effectués ont prouvé qu'elles sont conformes aux normes EN55022/CISPR22 et EN55024/CISPR24. Le fonctionnement de ces produits dans un environnement résidentiel peut causer des interférences radio, dans ce cas l'utilisateur peut être amené à prendre les mesures appropriées. Pour respecter les impératifs communautaires, les câbles de connexion entre le moniteur ou autres périphériques et la carte doivent être blindés. Ces produits ont été testés dans un système hôte typique compatible classe B. On suppose qu'ils présenteront la même compatibilité dans tout système compatible classe B.

(Deutsch) Information für europäische Anwender – Konformitätserklärung

Anmerkung für die Matrox Hardware-Produktunterstützung durch dieses Handbuch Diese Geräte entsprechen EC Direktive 89/336/EEC für ein digitales Gerät Klasse B. Sie wurden getestet und entsprechen demnach EN55022/CISPR22 und EN55024/CISPR24. In einer Wohnumgebung können diese Produkte Funkinterferenzen erzeugen, und der Benutzer kann genötigt sein, entsprechende Maßnahmen zu ergreifen. Um EG-Anforderungen zu entsprechen, müssen zum Anschließen des Monitors und anderer Peripheriegeräte an die Karte abgeschirmte Kabel verwendet werden. Diese Produkt wurden in einem typischen, der Klasse B entsprechenden, Host-System getestet. Es wird davon ausgegangen, daß diese Produkte auch in jedem Klasse B entsprechenden System entsprechend funktionieren.

(Italiano) Informazioni per gli utenti europei – Dichiarazione di conformità

Nota per i prodotti hardware Matrox supportati da questa guida Questi dispositivi sono conformi alla direttiva CEE 89/336/EEC relativamente ai dispositivi digitali di Classe B. Sono stati provati e sono risultati conformi alle norme EN55022/CISPR22 e EN55024/CISPR24. In un ambiente domestico, questi prodotti possono causare radiointerferenze, nel qual caso all'utente potrebbe venire richiesto di prendere le misure adeguate. Per soddisfare i requisiti CEE, il monitor e le altre periferiche vanno collegati alla scheda grafica con cavi schermati. Questi prodotti sono stati provati in un tipico sistema host conforme alla classe B. Inoltre, si dà per scontato che questi prodotti acquisiranno la conformità in qualsiasi sistema conforme alla classe B.

(Español) Información para usuarios europeos – Declaración de conformidad

Observación referente a los productos de hardware de Matrox apoyados por este manual Estos dispositivos cumplen con la directiva de la CE 89/336/EEC para dispositivos digitales de Clase B. Dichos dispositivos han sido sometidos a prueba y se ha comprobado que cumplen con las normas EN55022/CISPR22 y EN55024/CISPR24. En entornos residenciales, estos productos pueden causar interferencias en las comunicaciones por radio; en tal caso el usuario deberá adoptar las medidas adecuadas. Para satisfacer las disposiciones de la CE, deberán utilizarse cables apantallados para conectar el monitor y demás periféricos a la tarjeta. Estos productos han sido sometidos a prueba en un típico sistema anfitrión que responde a los requisitos de la clase B. Se supone que estos productos cumplirán también con las normas en cualquier sistema que responda a los requisitos de la clase B.

Avvertissement sur l'épilepsie

À lire avant toute utilisation d'un jeu vidéo par vous-même ou votre enfant Certaines personnes sont susceptibles de faire des crises d'épilepsie ou d'avoir des pertes de conscience à la vue de certains types de lumières clignotantes ou d'éléments fréquents dans notre environnement quotidien. Ces personnes s'exposent à des crises lorsqu'elles regardent certaines images télévisées ou qu'elles jouent à certains jeux vidéo. Ces phénomènes peuvent apparaître alors même que le sujet n'a pas d'antécédent médical ou n'a jamais été confronté à une crise d'épilepsie. Si vous-même ou un membre de votre famille avez déjà présenté des symptômes liés à l'épilepsie (crise ou perte de conscience) en présence de stimulations lumineuses, veuillez consulter votre médecin avant toute utilisation.

Nous conseillons aux parents d'être attentifs à leurs enfants lorsqu'ils jouent avec des jeux vidéo. Si vous-même ou votre enfant présentez un des symptômes suivants: vertige, trouble de la vision, contraction des yeux ou des muscles, perte de conscience, trouble de l'orientation, mouvement involontaire ou convulsion, veuillez immédiatement cesser de jouer et consultez un médecin.

Précautions à prendre dans tous les cas pour l'utilisation d'un jeu vidéo

- Ne vous tenez pas trop près de l'écran.
- Jouez à bonne distance de l'écran de TV et aussi loin que le permet le cordon de raccordement.
- Utilisez de préférence les jeux de vidéo sur un écran de petite taille.
- Évitez de jouer si vous êtes fatigué ou si vous manquez de sommeil.
- Assurez-vous que vous jouez dans une pièce bien éclairée.
- En cours d'utilisation, faites des pauses de dix à quinze minutes toutes les heures.

MACROVISION

(English) A. Apparatus Claims of U.S. Patent Nos. 4,631,603, 4,577,216, 4,819,098, and 4,907,093 licensed for limited viewing uses only. B. This product incorporates copyright protection technology that is protected by method claims of certain U.S. patents and other intellectual property rights owned by Macrovision Corporation and other rights owners. Use of this copyright protection technology must be authorized by Macrovision Corporation, and is intended for home and other limited viewing uses only unless otherwise authorized by Macrovision Corporation. Reverse engineering or disassembly is prohibited.

(Français) A. Demande de numéros de brevet aux États-Unis 4,631,603, 4,577,216, 4,819,098 et 4,907,093 avec licence pour des utilisations limitées d'affichage uniquement. B. Ce produit bénéficie d'une technologie de protection de droits d'auteur mis en œuvre par des demandes de brevets américains et d'autres droits de propriété intellectuelle de Macrovision Corporation et d'autres propriétaires de droits. L'utilisation de cette technologie de protection de droits d'auteur doit être autorisée par Macrovision Corporation, et est destinée à des utilisations domestiques ou de consultation limitée autorisées par Macrovision Corporation. L'ingénierie à rebours ou le désassemblage est interdit.

(Deutsch) A. Patentansprüche für Geräte mit US-Patentnummern 4.631.603, 4.577.216, 4.819.098 und 4.907.093, die nur für eingeschränkte Anzeigen lizenziert sind. B. Dieses Produkt enthält urheberrechtlich geschützte Technologie, die durch Patentansprüche bestimmter US-Patente und andere geistige Eigentumsrechte der Macrovision Corporation und anderen Eigentümern von Rechten geschützt sind. Die Verwendung dieser urheberrechtlich geschützten Technologie muß von der Macrovision Corporation genehmigt werden und darf nur zum Abspielen für private Zwecke und anderen Einschränkungen unterliegende Zwecke eingesetzt werden, sofern keine Genehmigung für andere Zwecke von Macrovision vorliegt. Reverse Engineering und Disassemblieren ist untersagt.

(Italiano) A. Diritti di brevetto USA n. 4,631,603, 4,577,216, 4,819,098 e 4,907,093 in licenza solamente per la visualizzazione limitata. B. Questo prodotto incorpora una tecnologia per la protezione dei diritti d'autore che è coperta da brevetti USA e da altri diritti di proprietà intellettuale detenuti da Macrovision Corporation e da altri titolari. L'utilizzo di questa tecnologia di protezione dei diritti d'autore deve essere autorizzato da Macrovision Corporation, ed è intesa solamente per la visione casalinga ed altri utilizzi limitati salvo diversa autorizzazione di Macrovision Corporation. È proibito il disassemblaggio o procedimenti di reverse engineering.

(Español) A. Aparato patentado en los EE.UU. con los números siguientes. 4,631,603, 4,577,216, 4,819,098 y 4,907,093 con licencia para visualización limitada únicamente. B. Este producto incorpora una tecnología de protección por Copyright mediante la demanda de ciertas patentes en los EE.UU. y otros derechos de propiedad intelectual de Macrovision Corporation y otros propietarios de los derechos. La utilización de esta tecnología de protección por Copyright debe ser autorizada por Macrovision Corporation y está destinada a su utilización doméstica y otras formas de visualización limitada, a menos que Macrovision Corporation exprese lo contrario. Está prohibida la utilización de técnicas de ingeniería inversa y el desmontaje.

**Trademarks • Marques déposées • Warenzeichen
• Marchi registrati • Marcas registradas**

Matrox Electronic Systems Ltd. /

Matrox Graphics Inc.	Matrox®, DualHead®, CenterWINDOW™, DeskNav™, Desktop Navigator™, DVDMax™, GigaColor™, HeadCasting™, Matrox ASM™, Matrox ATC™, Matrox Aurora™, Matrox G400™, Matrox G450™, Matrox G550™, Matrox HD Benchmark™, Matrox Marvel™, Matrox MED2mp™, Matrox MED2mp-DVI™, Matrox MED3mp-DVI™, Matrox MED5mp-DVI™, Matrox MED5mp™, Matrox Millennium™, Matrox MMS™, Matrox Multi-Monitor Series™, Matrox MultiDesk™, Matrox P650™, Matrox P650™ Low-profile PCI, Matrox P750™, Matrox Parhelia™, Matrox Parhelia™ APVe, Matrox Parhelia-512™, Matrox Parhelia-LX™, Matrox Parhelia HR256™, Matrox PowerDesk™, Matrox QID™, Matrox Quad Information Display™, Matrox RAD™ Series, Matrox Quick Connect™, MaxVIEW™, MGA™, MGA-G100™, MGA-G200™, PC-VCR™, PC-VCR Remote™, PixelTOUCH™, PrecisionCAD™, Precision SGT™, Productiva™, PureVideo™, QuickDesk™, RAD2mp™, RAD3mp™, RAD9mp™, RAD PCI™, RAD PCIe™, RADQ2mp™, Rainbow Runner®, SonoVUE™, TheatreVUE™, TripleHead™
Adobe Systems Inc.	Acrobat®, Adobe®, Premiere®, Reader®
Dolby Laboratories, Inc.	Dolby®, Dolby Digital®
Intel Corporation	Intel®, Pentium®
International Business Machines Corporation	IBM®, VGA®
Macrovision Corporation.....	Macrovision™
Microsoft Corporation	Direct3D®, DirectDraw®, DirectShow™, DirectVideo™, DirectX™, Microsoft®, MS-DOS®, PowerPoint™, Windows®, Windows 98™, Windows Me™, Windows NT™, Windows 2000™, Windows XP™
Silicon Graphics, Inc.	OpenGL®
Silicon Image, Inc.	PanelLink™
U.S. Environmental Protection Agency	Energy Star™

• (English) Registered trademarks are registered in the United States, Canada, and/or other countries. All other nationally and internationally recognized trademarks and tradenames are hereby acknowledged. • (Français) Les marques déposées sont déposées aux États-Unis, au Canada et/ou dans d'autres pays. Toutes les autres marques et tous les autres noms déposés reconnus nationalement ou internationalement sont également reconnus par les présentes. • (Deutsch) Die eingetragenen Warenzeichen sind in den USA, Kanada und/oder anderen Ländern registriert. Alle sonstigen national und international bekannten Warenzeichen und Produktnamen werden hiermit anerkannt. • (Italiano) I marchi registrati sono registrati negli Stati Uniti, in Canada e/o in altri paesi. Tutti gli altri marchi registrati e nomi commerciali riconosciuti a livello nazionale e internazionale sono ugualmente riconosciuti qui. • (Español) Las marcas registradas están registradas en los EE.UU., Canadá u otros países. Por medio del presente se reconocen todas las demás marcas y nombres comerciales reconocidos a nivel nacional e internacional.

Matrox TV-output Release Note

/10945-401-0100

2005.07.29

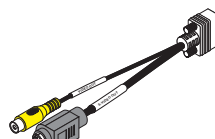
These notes contain important information about your Matrox graphics card. Due to the last-minute nature of these notes, they're in English only. We apologize for the inconvenience.

Remark for the Matrox TV-output adapter



WARNING: Operation of this equipment in a residential area is likely to cause harmful interference in which case the user will be required to correct the interference at his own expense.

While using the TV-output adapter with a Matrox Millennium G550 low-profile product, your Matrox product complies to the following regulatory compliance statements.



TV-output adapter

USA

FCC Compliance Statement

Remark for the Matrox hardware products supported by this guide This equipment has been tested and found to comply with the limits for a Class A digital device, pursuant to Part 15 of the FCC Rules. These limits are designed to provide reasonable protection against harmful interference when the equipment is operated in a commercial environment. This equipment generates, uses, and can radiate radio frequency energy and, if not installed and used in accordance with the instructions manual, may cause harmful interference to radio communications. Operation of this equipment in a residential area is likely to cause harmful interference in which case the user will be required to correct the interference at his own expense.

WARNING Changes or modifications to this unit not expressly approved by the party responsible for the compliance could void the user's authority to operate this equipment. The use of shielded cables for connection of the monitor to the card is required to meet FCC requirements.

CANADA

(English) Industry Canada Compliance Statement

Remark for the Matrox hardware products supported by this guide These digital apparatus does not exceed the Class A limits for radio noise emission from digital devices set out in the Radio Interference Regulation of Industry Canada.

(Français) Conformité avec les exigences du ministère de l'Industrie Canada

Remarque sur les produits matériels Matrox couverts par ce guide Ce présent appareil numérique n'émet aucun bruit radioélectrique dépassant les limites applicables aux appareils numériques de Classe A prescrites dans le Règlement sur le brouillage radioélectrique édicté par Industrie Canada.

(English) European user's information – Declaration of Conformity

Remark for the Matrox hardware products supported by this guide These devices comply with EC Directive 89/336/EEC for a Class A digital device. They have been tested and found to comply with EN55022/CISPR22 and EN55024/CISPR24. In a domestic environment these products may cause radio interference in which case the user may be required to take adequate measures. To meet EC requirements, shielded cables must be used to connect the monitor and other peripherals to the card. These products have been tested in a typical class A compliant host system. It is assumed that these products will also achieve compliance in any class A compliant system.

(Français) Informations aux utilisateurs Européens – Déclaration de conformité

Remarque sur les produits matériels Matrox couverts par ce guide Ces unités sont conformes à la directive communautaire 89/336/EEC pour les unités numériques de classe A. Les tests effectués ont prouvé qu'elles sont conformes aux normes EN55022/CISPR22 et EN55024/CISPR24. Le fonctionnement de ces produits dans un environnement résidentiel peut causer des interférences radio, dans ce cas l'utilisateur peut être amené à prendre les mesures appropriées. Pour respecter les impératifs communautaires, les câbles de connexion entre le moniteur ou autres périphériques et la carte doivent être blindés. Ces produits ont été testés dans un système hôte typique compatible classe A. On suppose qu'ils présenteront la même compatibilité dans tout système compatible classe A.

(Deutsch) Information für europäische Anwender – Konformitätserklärung

Anmerkung für die Matrox Hardware-Produktunterstützung durch dieses Handbuch Diese Geräte entsprechen EC Direktive 89/336/EEC für ein digitales Gerät Klasse A. Sie wurden getestet und entsprechen demnach EN55022/CISPR22 und EN55024/CISPR24. In einer Wohnumgebung können diese Produkte Funkinterferenzen erzeugen, und der Benutzer kann genötigt sein, entsprechende Maßnahmen zu ergreifen. Um EG-Anforderungen zu entsprechen, müssen zum Anschließen des Monitors und anderer Peripheriegeräte an die Karte abgeschirmte Kabel verwendet werden. Diese Produkt wurden in einem typischen, der Klasse A entsprechenden, Host-System getestet. Es wird davon ausgegangen, daß diese Produkte auch in jedem Klasse A entsprechenden System entsprechend funktionieren.

(Italiano) Informazioni per gli utenti europei – Dichiarazione di conformità

Nota per i prodotti hardware Matrox supportati da questa guida Questi dispositivi sono conformi alla direttiva CEE 89/336/EEC relativamente ai dispositivi digitali di Classe A. Sono stati provati e sono risultati conformi alle norme EN55022/CISPR22 e EN55024/CISPR24. In un ambiente domestico, questi prodotti possono causare radiointerferenze, nel qual caso all'utente potrebbe venire richiesto di prendere le misure adeguate. Per soddisfare i requisiti CEE, il monitor e le altre periferiche vanno collegati alla scheda grafica con cavi schermati. Questi prodotti sono stati provati in un tipico sistema host conforme alla classe A. Inoltre, si dà per scontato che questi prodotti acquisiranno la conformità in qualsiasi sistema conforme alla classe A.

(Español) Información para usuarios europeos – Declaración de conformidad**Observación referente a los productos de hardware de Matrox apoyados por este manual**

Estos dispositivos cumplen con la directiva de la CE 89/336/EEC para dispositivos digitales de Clase A. Dichos dispositivos han sido sometidos a prueba y se ha comprobado que cumplen con las normas EN55022/CISPR22 y EN55024/CISPR24. En entornos residenciales, estos productos pueden causar interferencias en las comunicaciones por radio; en tal caso el usuario deberá adoptar las medidas adecuadas. Para satisfacer las disposiciones de la CE, deberán utilizarse cables apantallados para conectar el monitor y demás periféricos a la tarjeta. Estos productos han sido sometidos a prueba en un típico sistema anfitrión que responde a los requisitos de la clase A. Se supone que estos productos cumplirán también con las normas en cualquier sistema que responda a los requisitos de la clase A.

(English) Disclaimer

THE INFORMATION IN THIS GUIDE IS SUBJECT TO CHANGE AT ANY TIME AND WITHOUT NOTICE.

Matrox Graphics Inc. reserves the right to make changes in specifications at any time and without notice. The information provided by this document is believed to be accurate and reliable. However, no responsibility is assumed by Matrox Graphics Inc. for its use; nor for any infringements of patents or other rights of third parties resulting from its use. No license is granted under any patents or patent rights of Matrox Graphics Inc.

(Français) Responsabilité

LES INFORMATIONS CONTENUES DANS CE MANUEL PEUVENT ÊTRE MODIFIÉES À TOUT MOMENT SANS PRÉAVIS.

Matrox Graphics Inc. se réserve le droit de modifier les spécifications à tout moment sans préavis. Les informations contenues dans ce manuel sont reconnues comme étant précises et fiables. Cependant, Matrox Graphics Inc. n'assume aucune responsabilité concernant leur utilisation, ni leur contrefaçon ou les autres droits des tiers résultant de leur utilisation. Aucune licence n'est accordée sur aucun brevet ou droit d'exploiter un brevet de Matrox Graphics Inc.

(Deutsch) Haftungsablehnungserklärung

DIE IN DIESEM HANDBUCH ENTHALTENEN ANGABEN UND DATEN KÖNNEN OHNE VORHERIGE ANKÜNDIGUNG GEÄNDERT WERDEN.

Die Matrox Graphics Inc. behält sich das Recht vor, jederzeit und ohne Ankündigung technische Daten zu ändern. Es wird keine Garantie für die Richtigkeit des Inhalts dieses Handbuchs übernommen. Weiterhin übernimmt die Matrox Graphics Inc. keinerlei Verantwortung für die Benutzung dieses Handbuchs, weder für Verstöße gegen Patentrechte noch für andere Rechte Dritter, die aus seinem Gebrauch resultieren mögen. Es werden keinerlei Lizenzrechte gewährt für sämtliche Patente oder Patentrechte der Matrox Graphics Inc.

(Italiano) Discrezionalità

LE INFORMAZIONI CONTENUTE NEL PRESENTE DOCUMENTO SONO SOGGETTE A MODIFICHE SENZA PREAVVISO.

Matrox Graphics Inc. si riserva il diritto di apportare variazioni di qualunque tipo alle specifiche tecniche in qualunque momento e senza alcun preavviso. Le informazioni contenute in questa documentazione sono ritenute corrette e attendibili. In ogni caso, non è imputabile a Matrox Graphics Inc. nessuna responsabilità per il loro utilizzo, come nessuna violazione a brevetti o diritti di altri produttori derivante dal loro utilizzo.

(Español) Renuncia

LA INFORMACION QUE CONTIENE EL PRESENTE MANUAL ESTA SUJETA A CAMBIOS SIN PREVIO AVISO EN CUALQUIER MOMENTO.

Matrox Graphics Inc. se reserva el derecho de realizar modificaciones en cualquier momento y sin previo aviso. La información facilitada en este documento se considera que es exacta y fiable. Sin embargo, Matrox Graphics Inc. no asume ninguna responsabilidad por su uso; ni por cualquier infracción de patentes u otros derechos de terceras partes derivados de su uso. No se concede ninguna licencia bajo cualesquiera patentes o derechos de patentes de Matrox Graphics Inc.

Matrox Graphics Inc.

1055 Saint Regis Boulevard
Dorval, Quebec, Canada H9P 2T4

Tel: (514) 822-6320

Sales: 1-800-361-1408

E-mail: graphics.sales@matrox.com

Technical support:

www.matrox.com/graphics/support/tech_support/home.cfm

Web site: www.matrox.com/graphics

Asia Pacific

Matrox Asia Ltd.
Units 2405-6, 24/F ING Tower
308 Des Voeux Road Central
Sheung Wan, Hong Kong

Sales: 852-2281-5700

Fax: 852-2537-9530

E-mail – China, Hong Kong, and Taiwan:

Anthony.Lee@matrox.com

E-mail – All other Asia Pacific countries:

Info-AsiaPacific@matrox.com

Technical support: 852-2281-5757

E-mail: tech.asiapac@matrox.com

United Kingdom

Matrox UK

Sales: + 44 (0) 87 06 06 56 00

Fax: + 44 (0) 1753 665599

E-mail – UK, ROI, Benelux, France, Spain, Portugal, and

MEA: graphic.info.uk@matrox.com

Technical support: + 44 (0) 1753 665522

E-mail: graphic.tech.uk@matrox.com

Deutschland

Matrox Electronic Systems GmbH
Inselkammerstraße 8
D-82008 Unterhaching bei München, Deutschland

Tel: + 49 (0) 89 62 17 00

Fax: + 49 (0) 89 61 49 74 3

Vertriebs Infoline: + 49 (0) 89 61 44 74 44

Technische Unterstützung: +49 (0) 89 62 17 03 33

E-mail: TechnischerSupport@matrox.com

Italia

Ufficio italiano di Matrox Graphics Inc.
3G electronics
Via Boncompagni, 3B
20139 Milano, Italia

Ufficio vendite: 02-5253095

Fax: 02-5253045

E-mail: vendite@treg.it

Supporto tecnico:

www.matrox.com/graphics/italiano/support/home.cfm

Sito Web: www.matroxitalia.it