

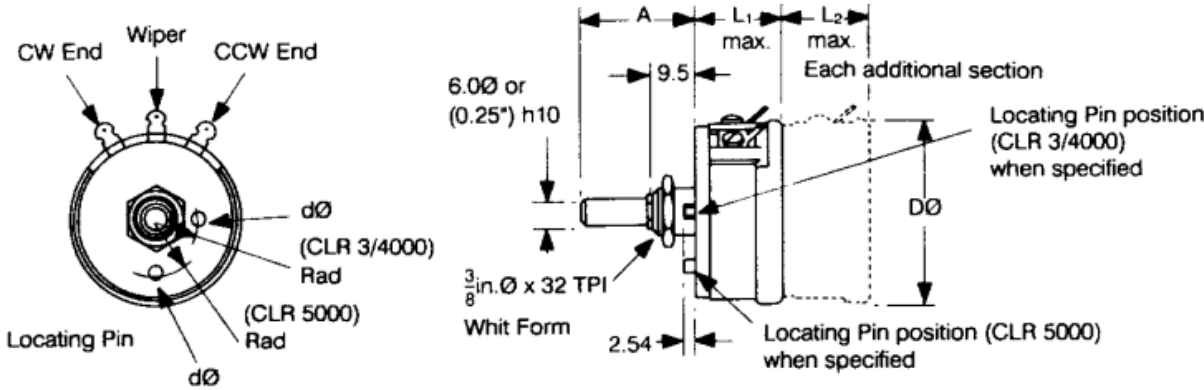
# Datasheet

## Wirewound Potentiometer CLR4000 Series with a 6.35 mm Dia. Shaft 2kΩ ±10% 1.5W, Panel Mount

RS Stock 812-853



### Dimensions: (mm)



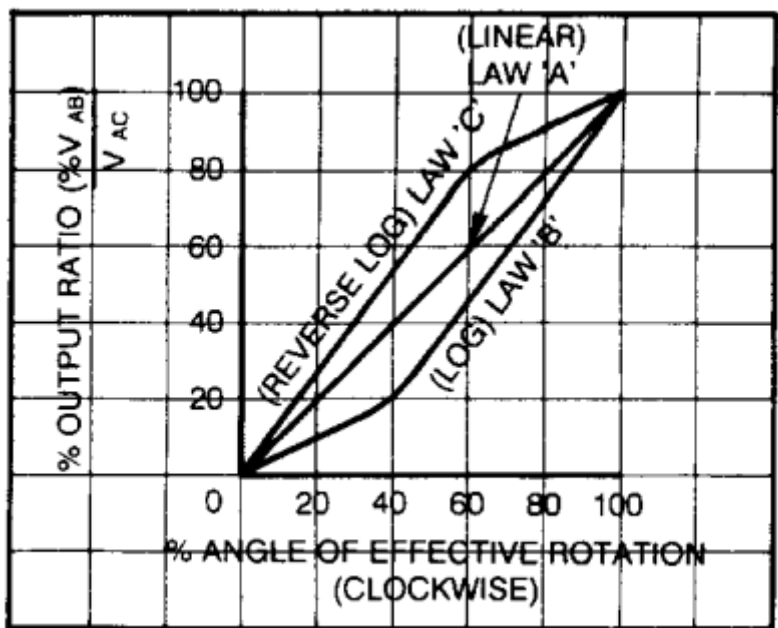
## Features

- Up to four sections can be ganged together on a common spindle.
- Phenolic body moulding; nickel silver contact; nickel plated brass spindle and bush; hot tin dipped brass tags.
- Selection Tolerance:  $\pm 10\%$
- Terminal Resistance: Maximum of  $0.2 \Omega$  or  $0.01\%$  ( $1 \Omega$  or  $0.1\%$ : CLR 7000) of nominal resistance whichever is the greater
- Rational Noise:  $100 \Omega$  E.N.R maximum
- Temperature Characteristic of Resistance:  $+ 0.75\%$  ( $+20^\circ\text{C}$  to  $+ 70^\circ\text{C}$ )
- Insulation Resistance:  $1000\text{M} \Omega$  minimum at  $500\text{v d.c}$
- Isolation Voltage:  $1000\text{V a.c peak}$
- Linearity:  $1\%$  typical,  $2\%$  maximum

### Series 4000 Electrical Specification

Power Rating @ $70^\circ\text{C}$ Linear Law	1.5W
Angle of effective rotation	$275^\circ \pm 5^\circ\text{C}$
Total mechanical rotation	$290^\circ \pm 10^\circ\text{C}$
Limiting element voltage d.c or a.c . R.m.s	500V

## Standard Resistance Laws



### Alignment ( Ganged Units)

Sections are aligned to within + 1% at reference point of zero effective rotation



## Mechanical Rotation

- Starting Torque: 7 to 35mNm
- Rotational Life: 20,000 cycles
- No of Gangs (max) : 4
- End Stop Torque: 1100Nm

## Environmental Specification

- Vibration: 10 to 500Hz; 10g; Rac  $\leq$  1%
- Bump: 4000 bumps; 390m/s<sup>2</sup>, 40g; Rac  $\leq$  1%
- Load Life: 1000h at rated dissipation ; Rac  $\leq$  1%

