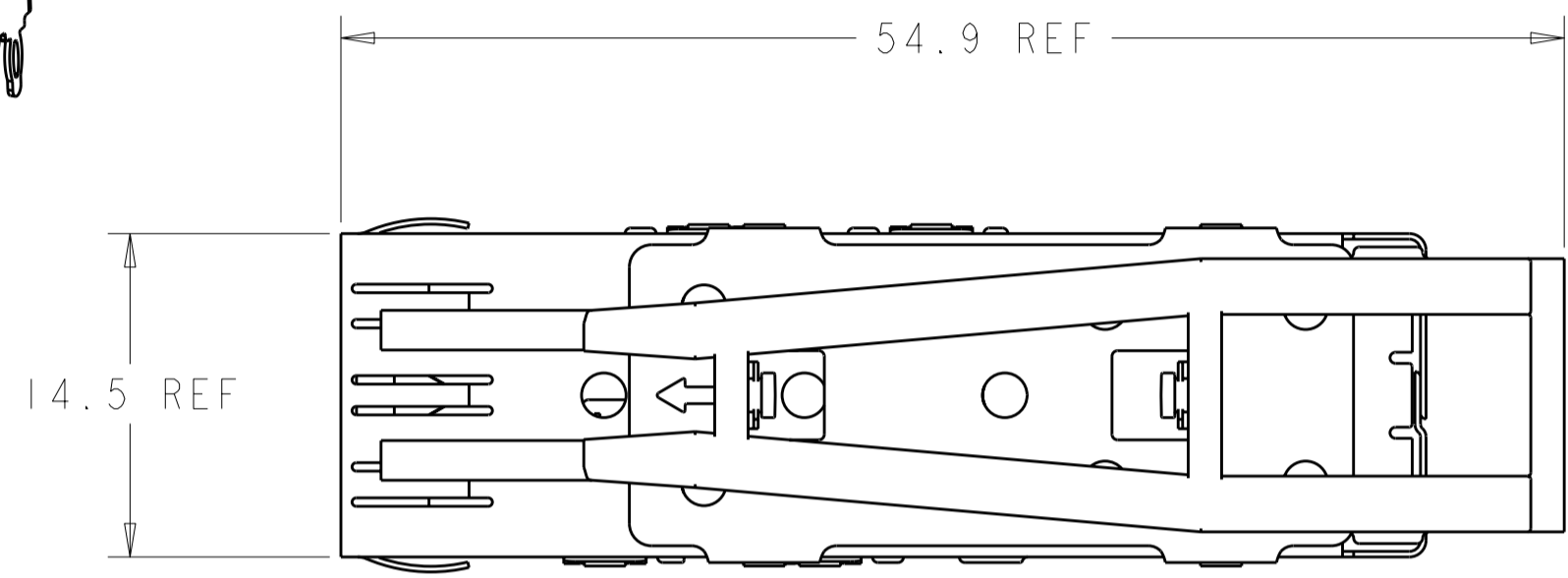
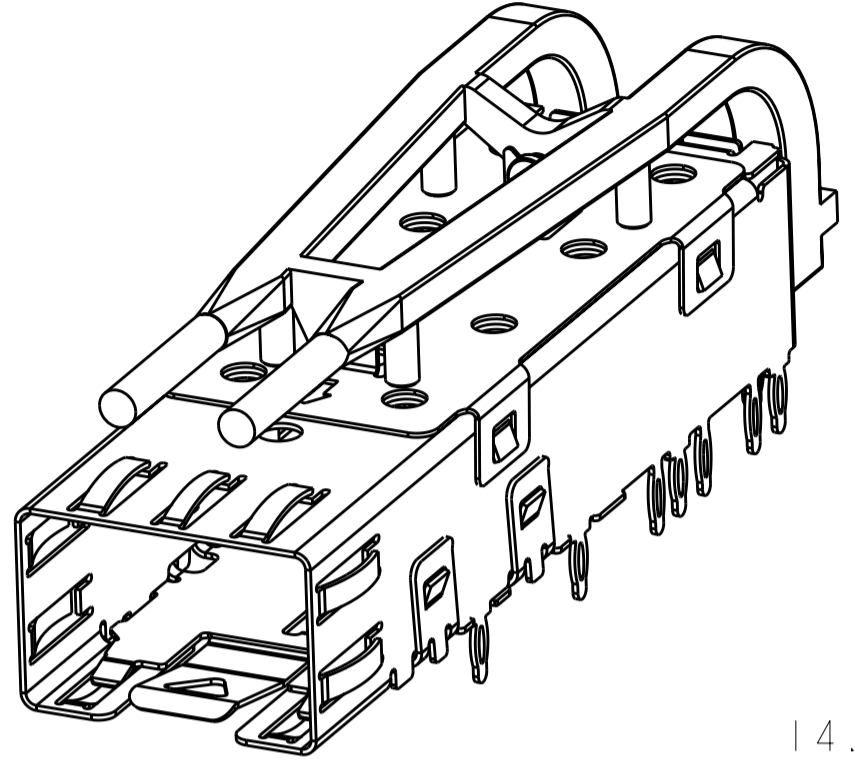
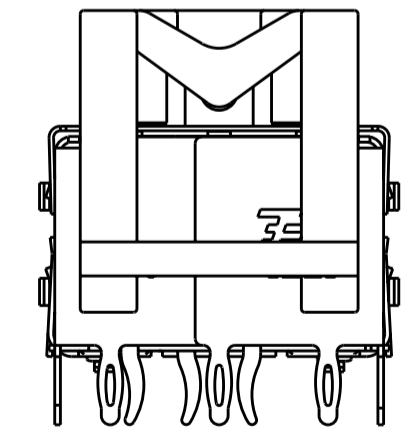
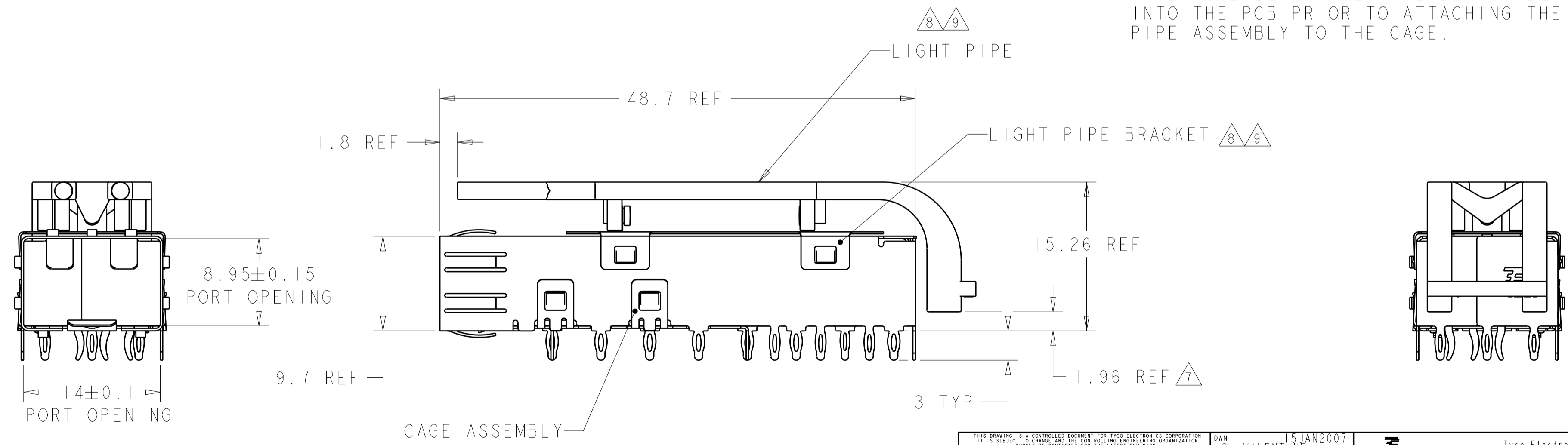


THIS DRAWING IS UNPUBLISHED. RELEASED FOR PUBLICATION 20  
 © COPYRIGHT 20 BY TYCO ELECTRONICS CORPORATION. ALL RIGHTS RESERVED.

LOC	DIST	REVISIONS			
P	LTR	DESCRIPTION	DATE	DWN	APVD
GP	00				
	A	RELEASED ECO-09-009549	20APR2009	AL	SY
	B	REVISED PER ECO-10-010874	24MAY2010	JY	SY



- 1 MATERIAL:  
 CAGE: COPPER ALLOY  
 LIGHTPIPE: POLYCARBONATE, CLEAR  
 LIGHTPIPE BRACKET: STAINLESS STEEL.
- 2 FINISH:  
 CAGE: TIN 1.25 um MIN THICKNESS OVER,  
 0.125 um MIN THICKNESS NICKEL.  
 NONPLATED EDGES PERMISSABLE.
- 3. MATES WITH SFP MSA COMPLIANT TRANSCEIVERS.
- 4 PADS AND VIAS CHASSIS GROUND.
- 5 DATUM AND BASIC DIMENSIONS ESTABLISHED BY CUSTOMER.
- 6. MINIMUM PC BOARD THICKNESS:  
 SINGLE SIDED: 1.50 mm  
 (SHOWN ON SHEET 4).
- 7 MAX HEIGHT OF LED OFF BOARD IS NOT TO EXCEED 1.14mm.
- 8 LIGHT PIPE AND LIGHT PIPE BRACKET SHIPPED ASSEMBLED.
- 9 LIGHT PIPE ASSEMBLY SHIPPED UNASSEMBLED TO CAGE ASSEMBLY. CAGE ASSEMBLY TO BE PRESSED INTO THE PCB PRIOR TO ATTACHING THE LIGHT PIPE ASSEMBLY TO THE CAGE.



1367629-1  
 PART NUMBER

THIS DRAWING IS A CONTROLLED DOCUMENT FOR TYCO ELECTRONICS CORPORATION IT IS SUBJECT TO CHANGE AND THE CONTROLLING ENGINEERING ORGANIZATION SHOULD BE CONTACTED FOR THE LATEST REVISION.		DWN 15 JAN 2007 C. VALENTINE CHK 15 JAN 2007 E. BRIGHT APVD 15 JAN 2007 E. BRIGHT	Tyco Electronics Harrisburg, PA 17105-3608
DIMENSIONS: mm 	TOLERANCES UNLESS OTHERWISE SPECIFIED: 0 PLC ±0.1 1 PLC ±0.1 2 PLC ±0.1 3 PLC ±0.05 4 PLC ±0.05 ANGLES ± FINISH	PRODUCT SPEC 108-1950 APPLICATION SPEC 114-13120 WEIGHT - CUSTOMER DRAWING	NAME CAGE ASSEMBLY 20 PRESS FIT ,SFP SIZE CAGE CODE DRAWING NO RESTRICTED TO A200779 C-1367629 -
MATERIAL 1 - FINISH 2 -		SCALE 1:1 SHEET 1 OF 4 REV B	

4

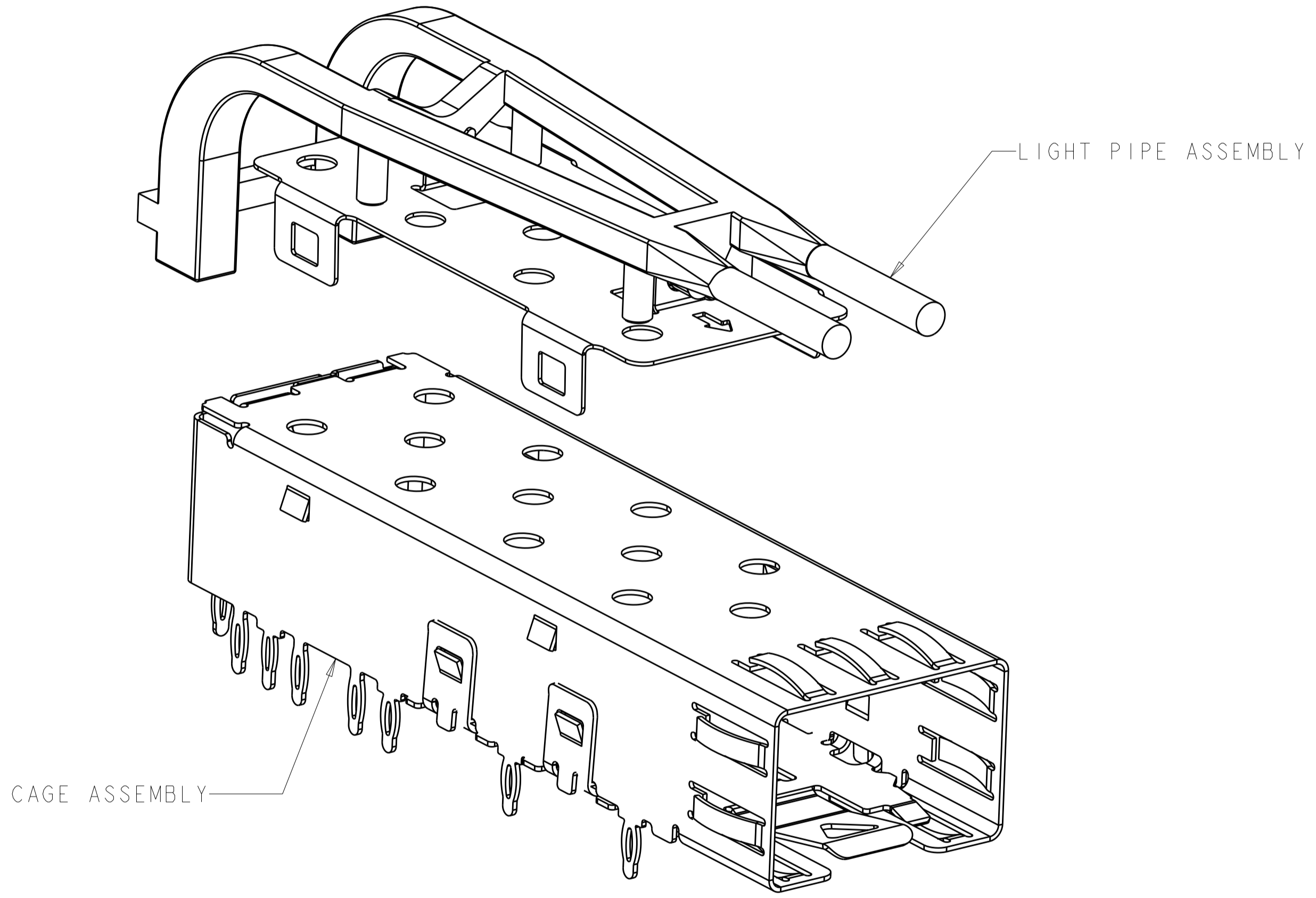
3

2

1

THIS DRAWING IS UNPUBLISHED.      RELEASED FOR PUBLICATION      20  
 © COPYRIGHT 20      BY TYCO ELECTRONICS CORPORATION. ALL RIGHTS RESERVED.

LOC	DIST	REVISIONS					
GP	00	P	LTR	DESCRIPTION	DATE	DWN	APVD
		-		SEE SHEET 1			

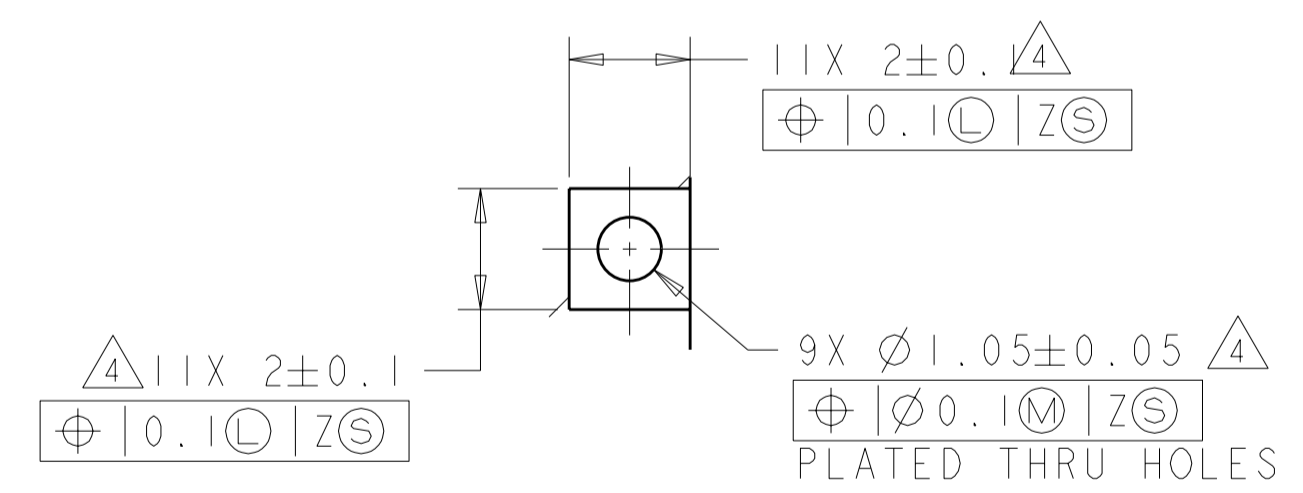
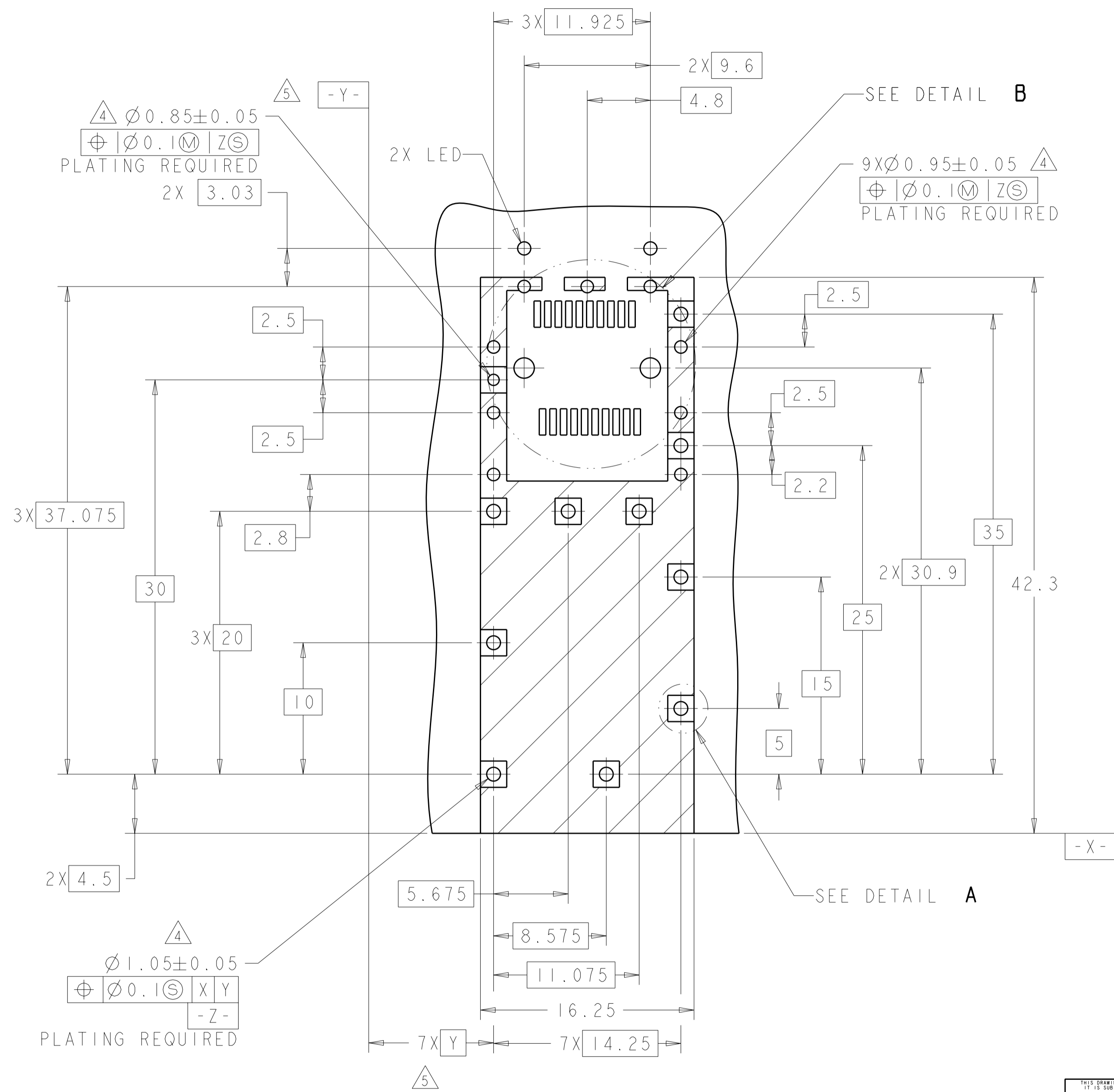


EXPLODED VIEW  
 SCALE 5:1

<small>THIS DRAWING IS A CONTROLLED DOCUMENT FOR TYCO ELECTRONICS CORPORATION          IT IS SUBJECT TO CHANGE AND THE CONTROLLING ENGINEERING ORGANIZATION          SHOULD BE CONTACTED FOR THE LATEST REVISION.</small>		DWN 15 JAN 2007 C. VALENTINE CHK 15 JAN 2007 E. BRIGHT APVD 15 JAN 2007 E. BRIGHT	Tyco Electronics Harrisburg, PA 17105-3608
DIMENSIONS: mm 	TOLERANCES UNLESS OTHERWISE SPECIFIED: 0 PLC ±0.1 1 PLC ±0.1 2 PLC ±0.1 3 PLC ±0.05 4 PLC ±0.05 ANGLES ± FINISH	PRODUCT SPEC 108-1950 APPLICATION SPEC 114-13120 WEIGHT -	NAME CAGE ASSEMBLY 20 PRESS FIT , SFP SIZE CAGE CODE DRAWING NO RESTRICTED TO A200779 C-1367629 -
MATERIAL		CUSTOMER DRAWING	SCALE 1:1 SHEET 2 OF 4 REV B

THIS DRAWING IS UNPUBLISHED. RELEASED FOR PUBLICATION 20  
 © COPYRIGHT 20 BY TYCO ELECTRONICS CORPORATION. ALL RIGHTS RESERVED.

LOC	DIST	REVISIONS					
GP	00	P	LTR	DESCRIPTION	DATE	DWN	APVD
		-		SEE SHEET 1			



DETAIL A  
 SCALE 8:1

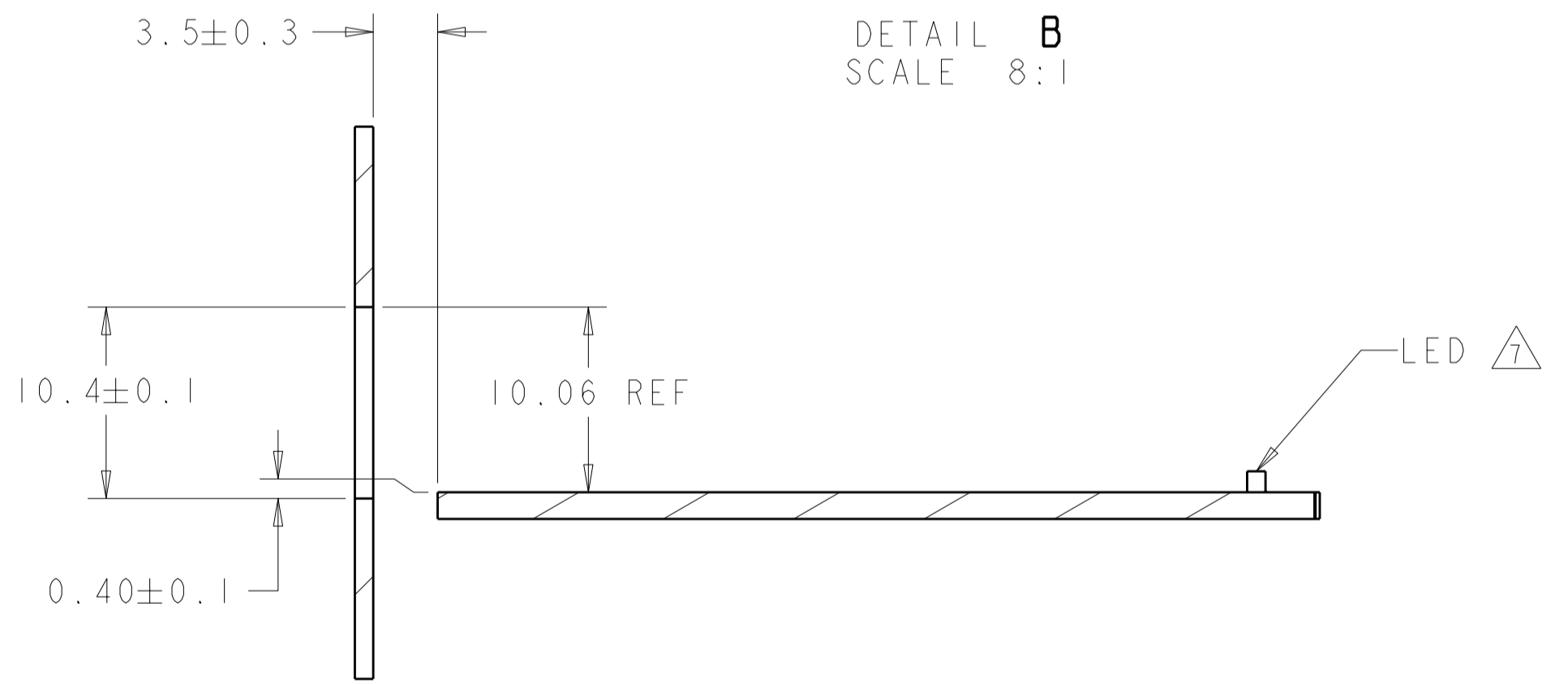
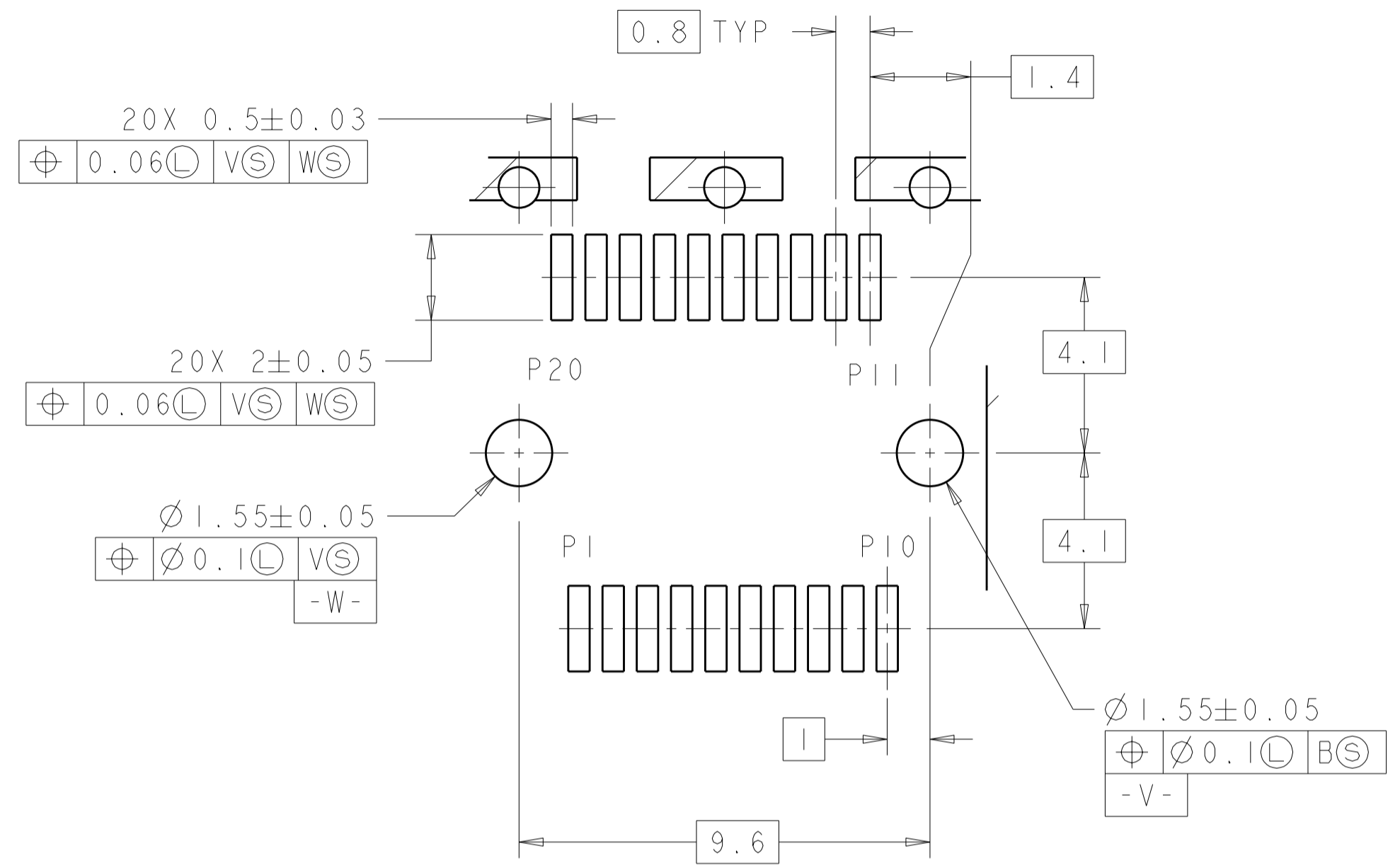
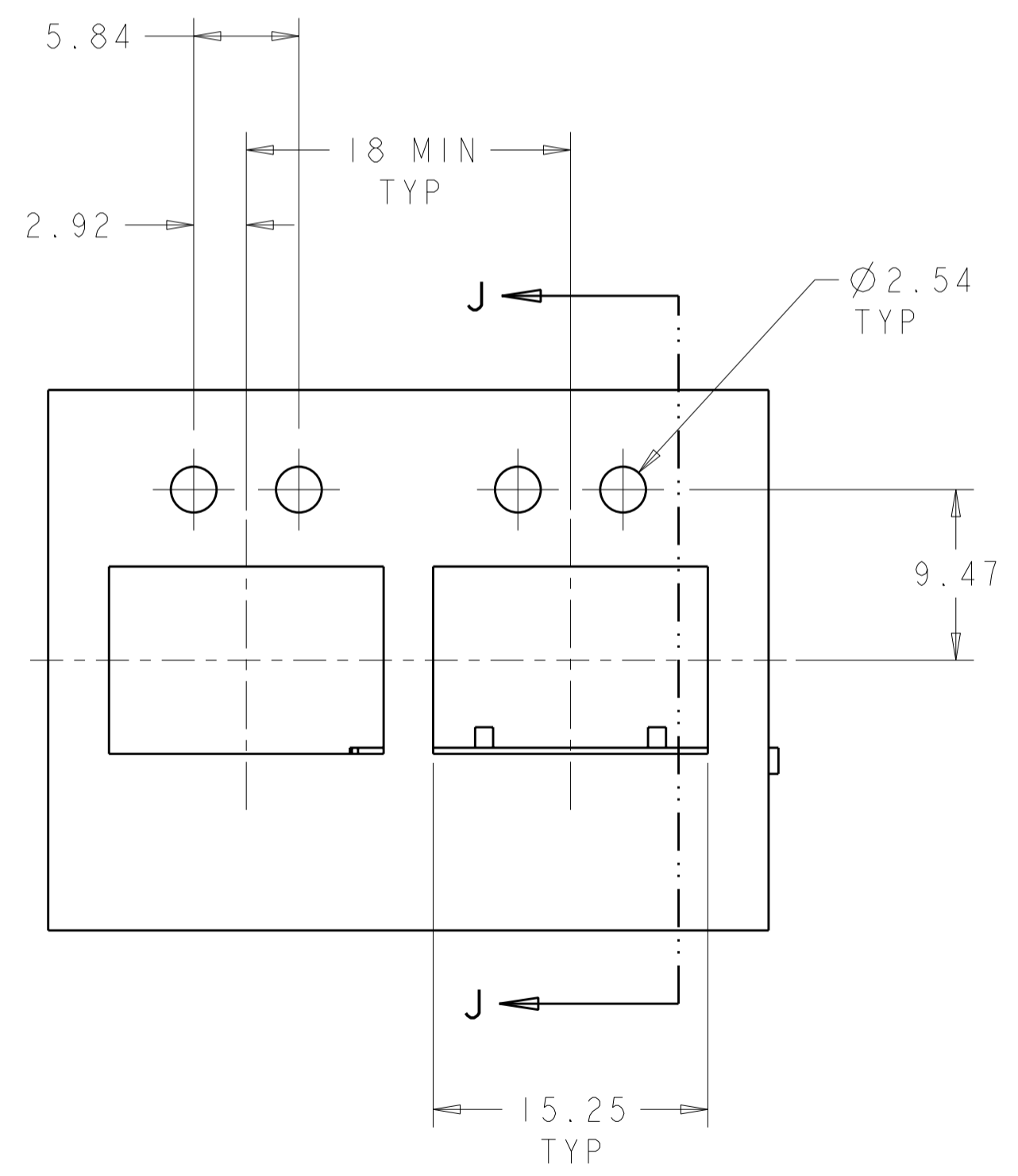
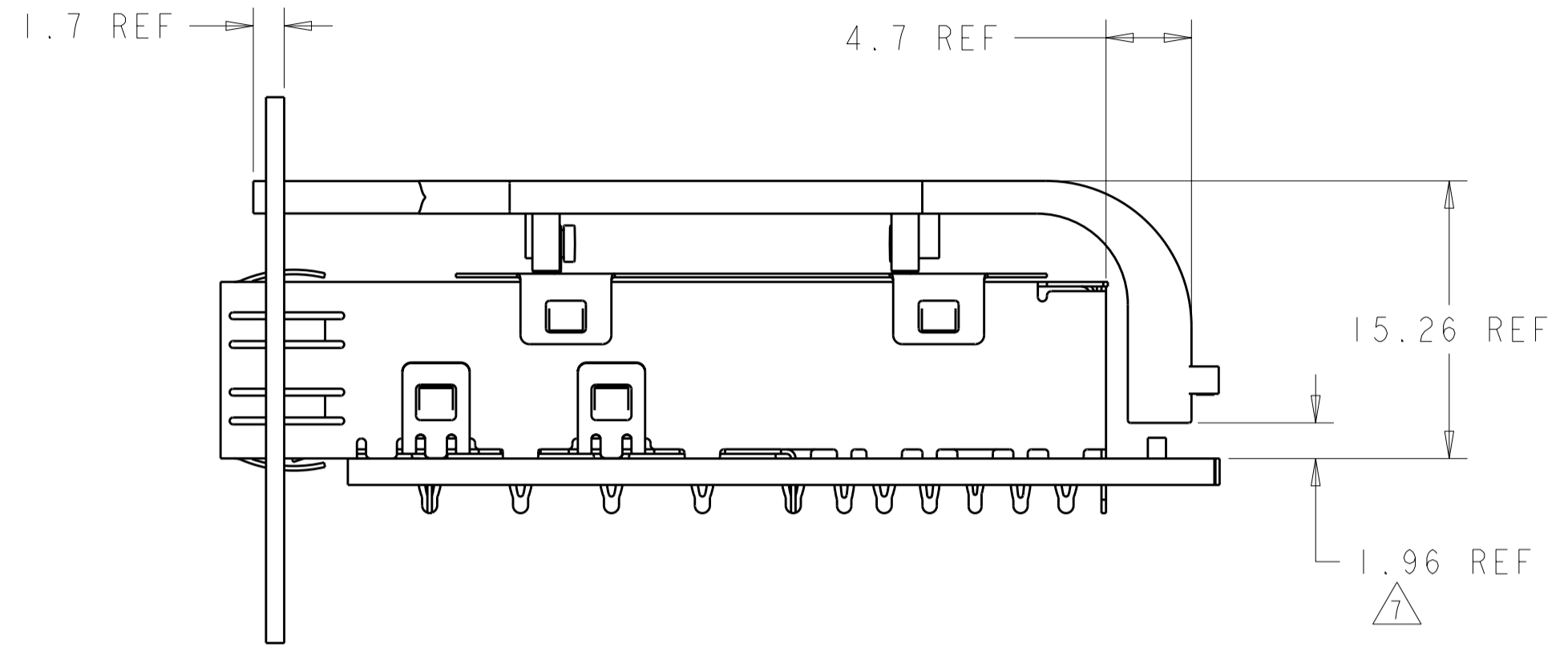
$\Delta$   
 $\varnothing 1.05 \pm 0.05$   
 $\oplus | \varnothing 0.1 (S) | X | Y$   
 -Z-  
 PLATING REQUIRED

RECOMMENDED PC BOARD LAYOUT  
 SCALE 4:1

THIS DRAWING IS A CONTROLLED DOCUMENT FOR TYCO ELECTRONICS CORPORATION. IT IS SUBJECT TO CHANGE AND THE CONTROLLING ENGINEERING ORGANIZATION SHOULD BE CONTACTED FOR THE LATEST REVISION.		DWN C. VALENTINE 15 JAN 2007	Tyco Electronics Harrisburg, PA 17105-3608	
DIMENSIONS: mm		CHK E. BRIGHT 15 JAN 2007	NAME CAGE ASSEMBLY 20 PRESS FIT, SFP	
TOLERANCES UNLESS OTHERWISE SPECIFIED: 0 PLC $\pm 0.1$ 1 PLC $\pm 0.1$ 2 PLC $\pm 0.1$ 3 PLC $\pm 0.05$ 4 PLC $\pm 0.05$ ANGLES $\pm$ FINISH		APVD E. BRIGHT 15 JAN 2007	RESTRICTED TO	
MATERIAL		PRODUCT SPEC 108-1950	SIZE A200779	
		APPLICATION SPEC 114-13120	DRAWING NO C-1367629	
		WEIGHT	SCALE 1:1	
		CUSTOMER DRAWING	SHEET 3 OF 4 REV B	

THIS DRAWING IS UNPUBLISHED. RELEASED FOR PUBLICATION 20  
 © COPYRIGHT 20 BY TYCO ELECTRONICS CORPORATION. ALL RIGHTS RESERVED.

LOC	DIST	REVISIONS			
P	LTR	DESCRIPTION	DATE	DWN	APVD
GP	00	SEE SHEET 1			



DETAIL B  
SCALE 8:1

SECTION J-J

<small>THIS DRAWING IS A CONTROLLED DOCUMENT FOR TYCO ELECTRONICS CORPORATION. IT IS SUBJECT TO CHANGE AND THE CONTROLLING ENGINEERING ORGANIZATION SHOULD BE CONTACTED FOR THE LATEST REVISION.</small>		DWN: 15 JAN 2007 C. VALENTINE CHK: 15 JAN 2007 E. BRIGHT APVD: 15 JAN 2007 E. BRIGHT	Tyco Electronics Harrisburg, PA 17105-3608
DIMENSIONS: mm	TOLERANCES UNLESS OTHERWISE SPECIFIED: 0 PLC ±0.1 1 PLC ±0.1 2 PLC ±0.1 3 PLC ±0.05 4 PLC ±0.05 ANGLES ± FINISH	PRODUCT SPEC: 108-1950 APPLICATION SPEC: 114-13120 WEIGHT: -	NAME: CAGE ASSEMBLY 20 PRESS FIT, SFP SIZE: A200779 CAGE CODE: C-1367629 DRAWING NO: - RESTRICTED TO: -
MATERIAL: -		CUSTOMER DRAWING	
		SCALE: 1:1	SHEET 4 OF 4 REV B