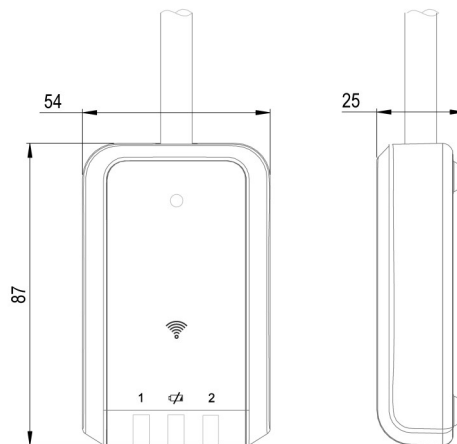


- Secure, robust closed network, with up to 2 connected transmitters.
- >10M Range.
- Typically <100mS latency.
- Simple push button pairing procedure with LED indication
- Further LED indication of:
 - Connection Status (x2)
 - Battery Level
 - Power Indication
 - Active Output Indication
- User selectable 15 or 60 minute transmitter sleep timeout.
- User selectable latency settings.
- Auto wake/reconnect upon a press of any transmitter pedal/button.
- Customers connectors fitted upon request



Outline Dimensions



Specifications

Supply rating	12-24V DC	Operating temperature	-5 to +40°C
Output Configuration	Switch output: Normally open contact relay (1.75A 24V DC MAX)	Body material	Thermoplastic
Degree of protection	EN 60529 IP44	Standards/approvals	Low Voltage Directive 2006/95/EC; EN60950, REACH, RoHS & WEE
Connections	Cable connections via 300mm long cable with free wire ends: <ul style="list-style-type: none"> • Power connections • Relay outputs • Battery Indication output • PWM output 	Radio type approvals	Europe (ETSI R&TTE) US (FCC/CFR 47 part 15 unlicensed modular transmitter approval) Canada (IC)
Storage temperature	-20 to +65°C	Certification and compliance	R&TTE Directive 1999/5/EC: <ul style="list-style-type: none"> • Effective use of frequency spectrum: EN 300 328 • EMC: EN 301 489-1, EN 301 489-17, EN 61000- 6-2 • Health and safety: EN 50371, EN 60950-1 and/or IEC 60950-1 Medical Electrical Equipment: <ul style="list-style-type: none"> • IEC 60601-1-2 Compliant



Removing the rear panel gives the user access to switches for setting the Latency of the system and sleep timeout of the connected transmitters.

For full instructions for use of the Herga wireless footswitch systems visit www.herga.com

Cable Connections

Function	Wire colour	Function	Wire colour
12-24VDC In	Red	Relay Output 3	Brown
0V	Black		Brown/Green
Battery Indication output	Violet	Relay Output 4	Yellow
PWM Output	Pink		Yellow/Brown
Relay Output 1	Blue	Relay Output 5	White
	Blue/Red		White/Yellow
Relay Output 2	Green	Relay Output 6	Grey
	Green/White		Grey/Pink