



22MM PLASTIC ROUND COMPLETE UNIT  
 COMBINATION: INDICATOR LIGHT WITH SMOOTH  
 LENSE ILLUMINATED WITH INTEGRATED LED 230V AC  
 SCREW TERMINAL WITH HOLDER GREEN

Actuator:		
Design of the operating mechanism		indicator light
Front ring:		
Product component / front ring		No
Enclosure:		
Shape / of the housing front		round
material / of the housing		plastic
General technical details:		
Number of control points		0
Type of voltage		AC
<ul style="list-style-type: none"> <li>• of the operating voltage</li> <li>• of the supply voltage</li> <li>• of the fluorescent material</li> </ul>		AC
Operating voltage / rated value		
<ul style="list-style-type: none"> <li>• minimum</li> <li>• maximum</li> </ul>	V	190 265
Supply voltage / 1		
<ul style="list-style-type: none"> <li>• of the fluorescent material</li> </ul>		

<ul style="list-style-type: none"> <li>• at 60 Hz / for AC / rated value</li> <li>• at 50 Hz / for AC / rated value</li> </ul>	V	230
	V	230
<b>Design of the electrical connection</b>		screw-type terminals
<b>Number of switching positions</b>		0
<b>Product component / fluorescent materials</b>		Yes
<b>Product extension / optional / fluorescent materials</b>		Yes
<b>Resistance against shock</b> <ul style="list-style-type: none"> <li>• for devices without incandescent lamp / according to IEC 60068-2-27</li> </ul>		<= 50g
<b>Resistance against vibration / according to IEC 60068-2-6</b>		20 ... 200 Hz: 5g
<b>Operating cycles / maximum</b>	1/h	1,000
<b>Item designation</b> <ul style="list-style-type: none"> <li>• according to DIN EN 61346-2</li> <li>• according to DIN 40719 extendable after IEC 204-2 / according to IEC 750</li> </ul>		P H

#### Auxiliary circuit:

<b>Number of NC contacts / for auxiliary contacts</b>		0
<b>Number of NO contacts / for auxiliary contacts</b>		0
<b>Number of change-over switches / for auxiliary contacts</b>		0

#### Installation/mounting/dimensions:

<b>Execution of the mounting</b>		integrated LED
<b>Type of mounting</b>		front mounting
<b>Shape / of the installation hole</b>		round
<b>Installation width</b>	mm	28
<b>Mounting diameter</b>	mm	22
<b>Mounting height</b>	mm	11
<b>Tightening torque / of the screws in the bracket / maximum</b>	N·m	1

#### Ambient conditions:

<b>Ambient temperature</b> <ul style="list-style-type: none"> <li>• during operating</li> <li>• during storage</li> </ul>	°C	-25 ... 70
	°C	-40 ... 80
<b>Protection class IP</b>		IP66

#### Certificates/approvals:

## General Product Approval



CQC



CSA

[ROSTEST](#)



UL

## Test Certificates

[Manufacturer](#)

## Shipping Approval



BUREAU  
VERITAS



DNV



PRS

## other

[Manufacturer](#)

## Further information:

### Information- and Downloadcenter (Catalogs, Brochures,...)

<http://www.siemens.com/industrial-controls/catalogs>

### Industry Mall (Online ordering system)

<http://www.siemens.com/industrial-controls/mall>

### CAX-Online-Generator

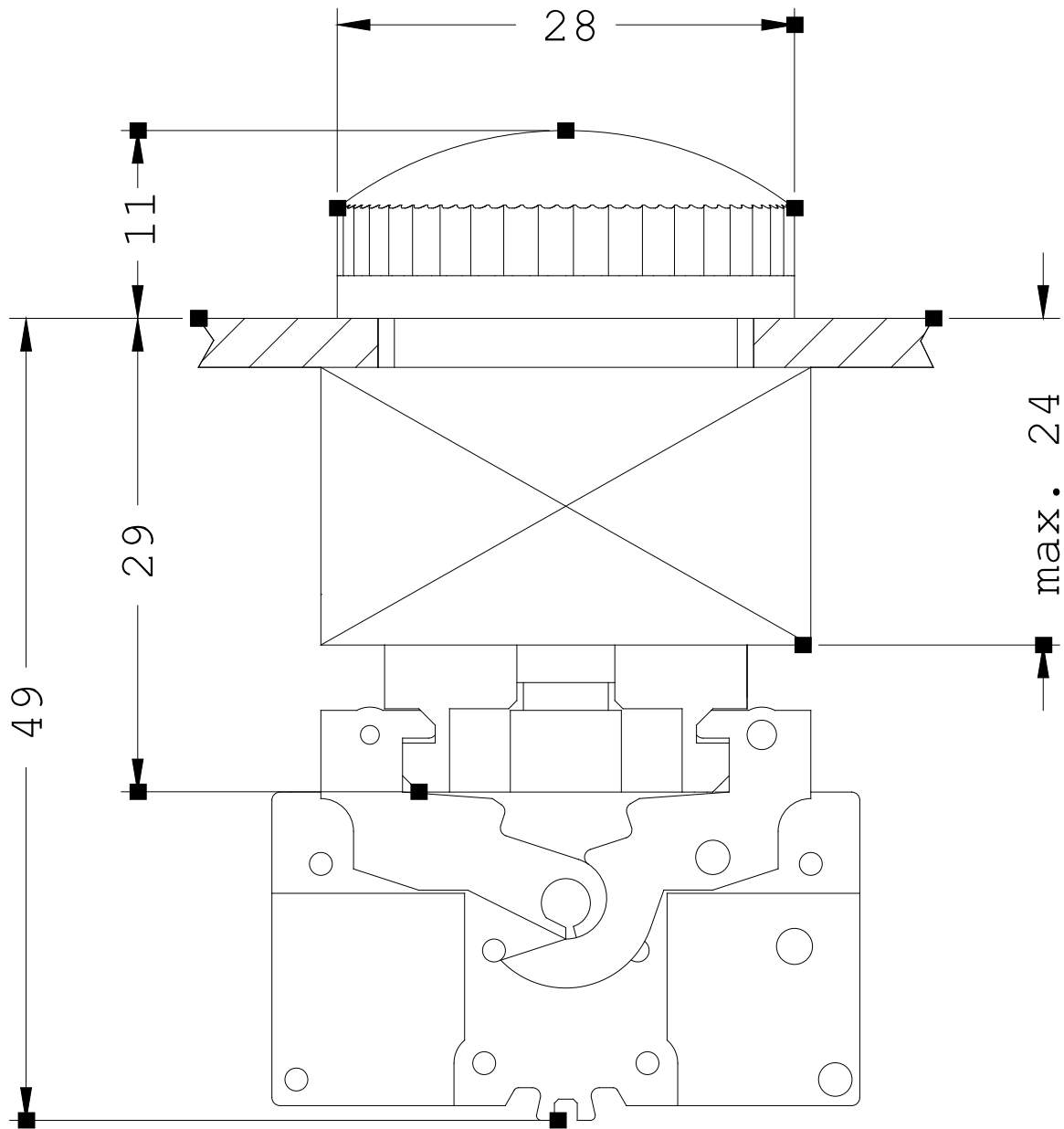
<http://www.siemens.com/cax>

### Service&Support (Manuals, Certificates, Characteristics, FAQs,...)

<http://support.automation.siemens.com/WW/view/en/3SB3252-6AA40/all>

### Image database (product images, 2D dimension drawings, 3D models, device circuit diagrams, ...)

[http://www.automation.siemens.com/bilddb/cax\\_en.aspx?mlfb=3SB3252-6AA40](http://www.automation.siemens.com/bilddb/cax_en.aspx?mlfb=3SB3252-6AA40)



last change:

Oct 31, 2011