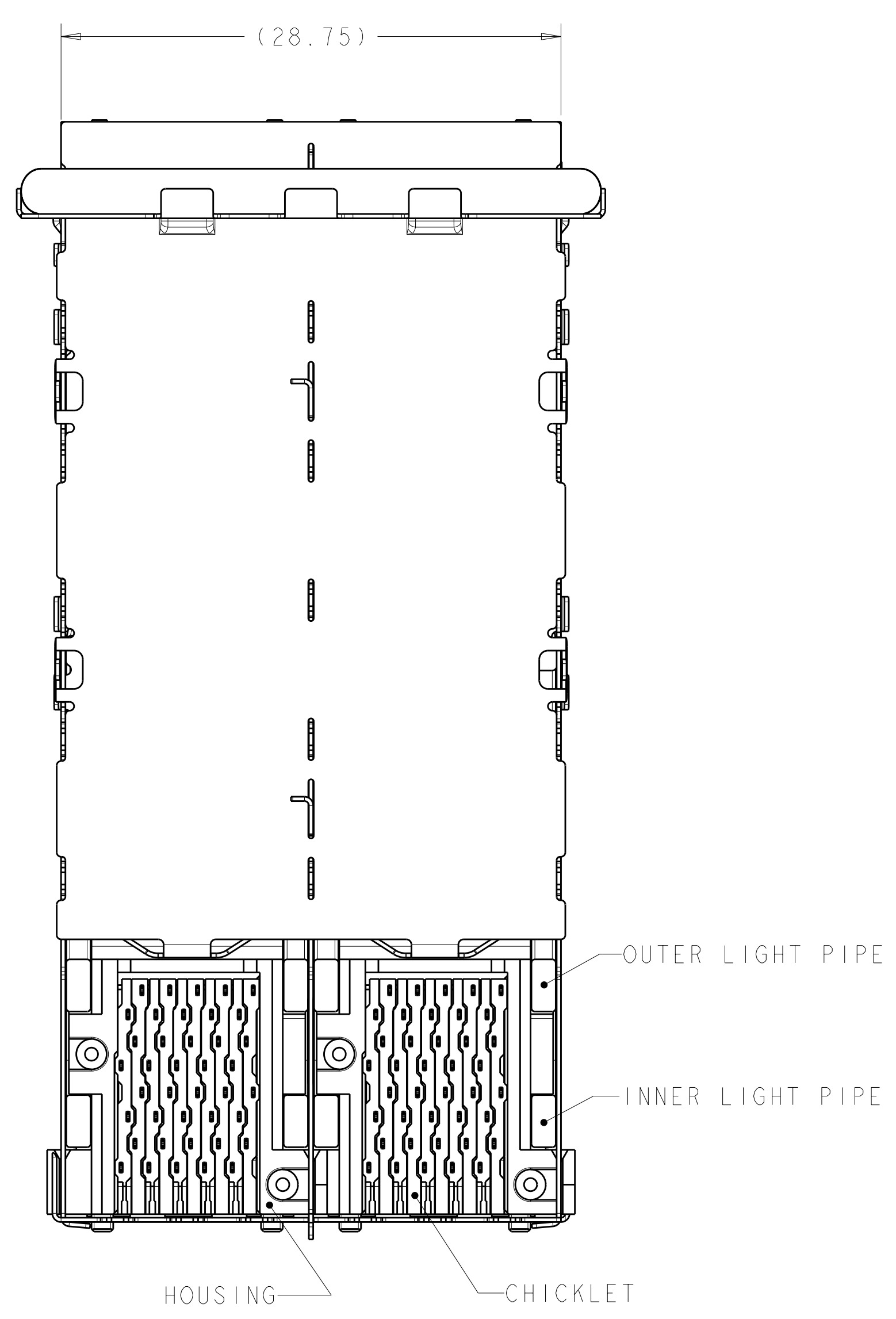
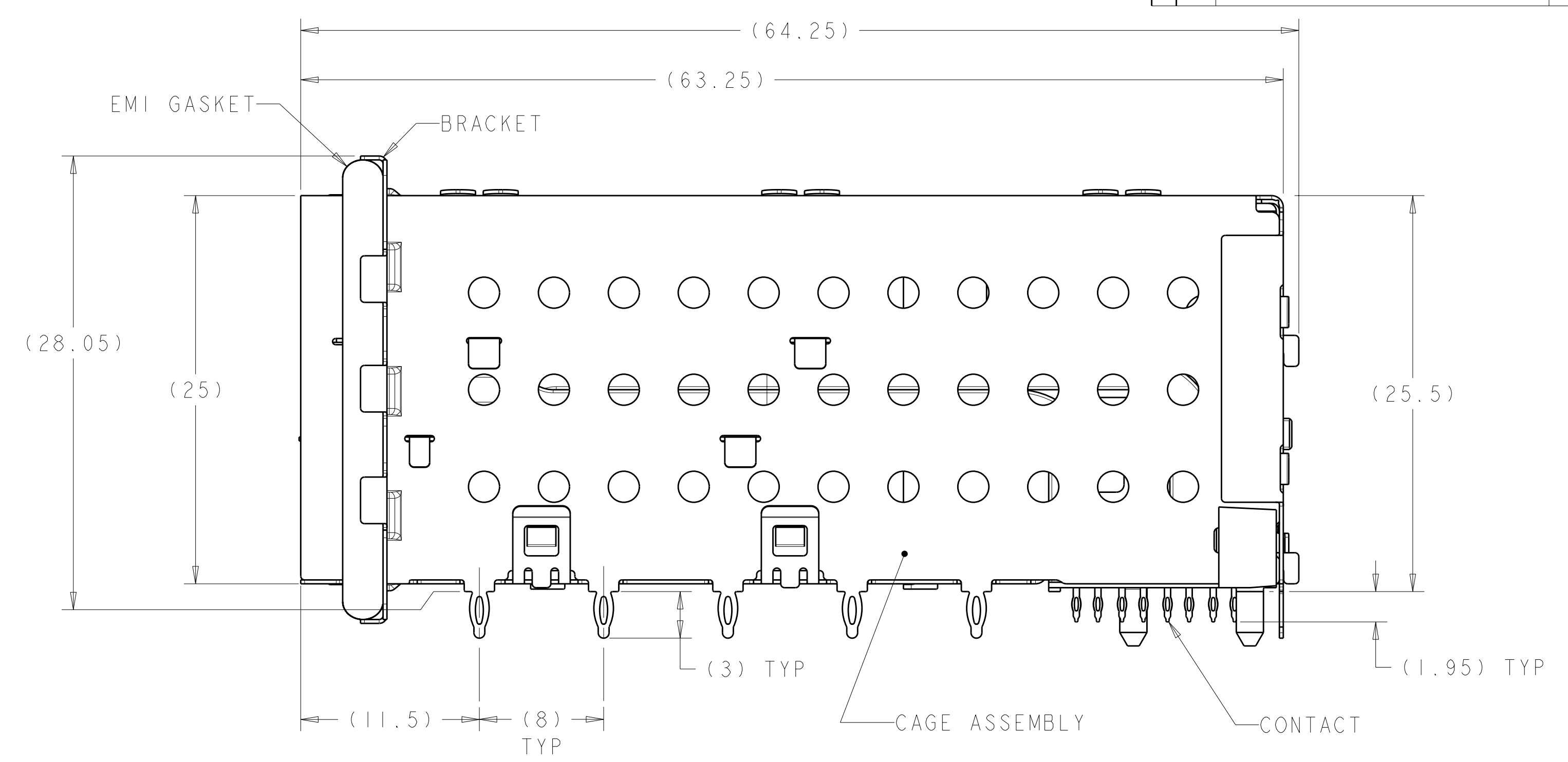
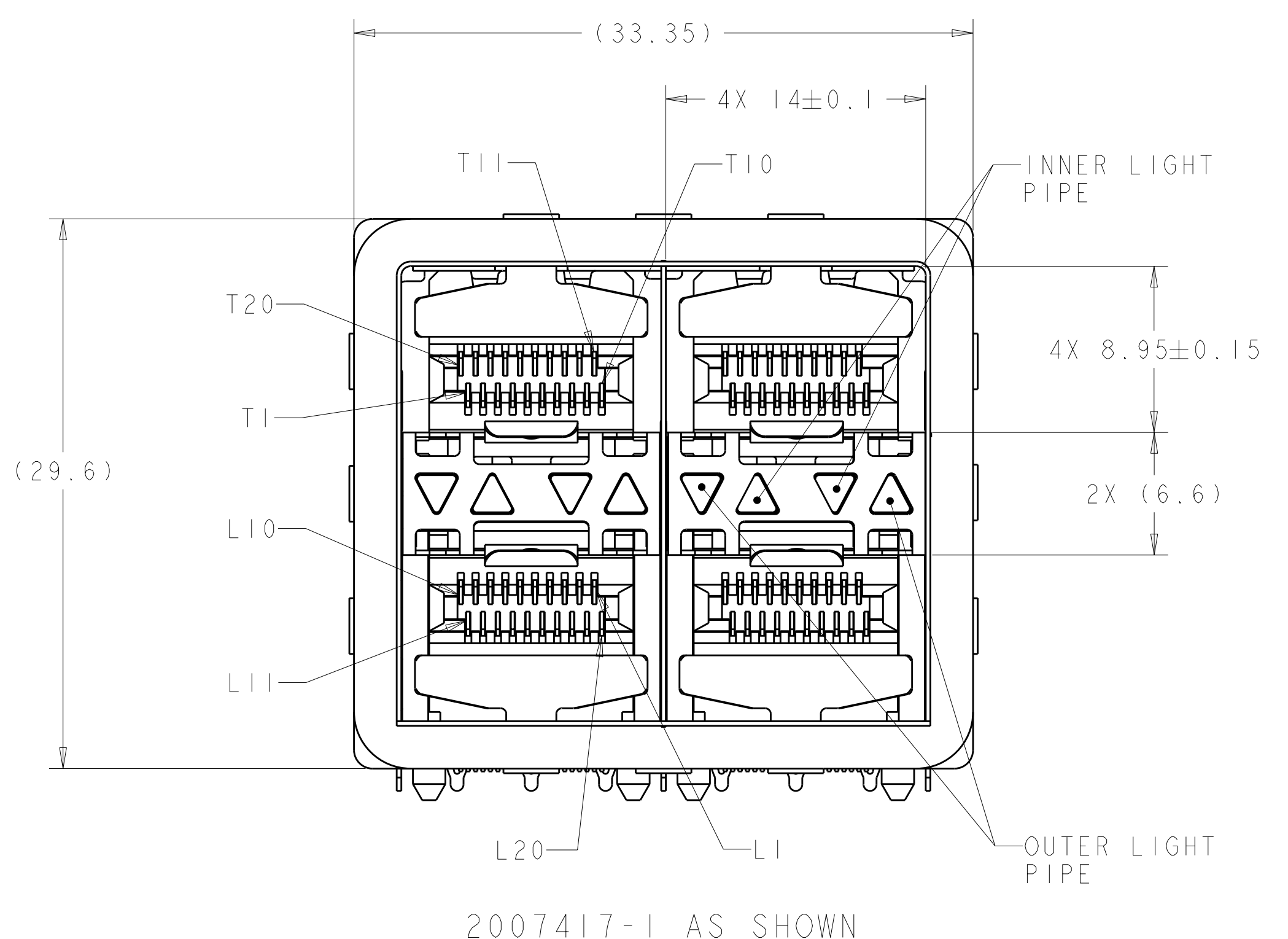


LOC	DIST	REVISIONS			
GP	00	REV	DATE	BY	APPD
		A	19JAN2010	CR	MS
		A1	09MAR2010	CR	MS
		B	22OCT2010	CJV	JRP

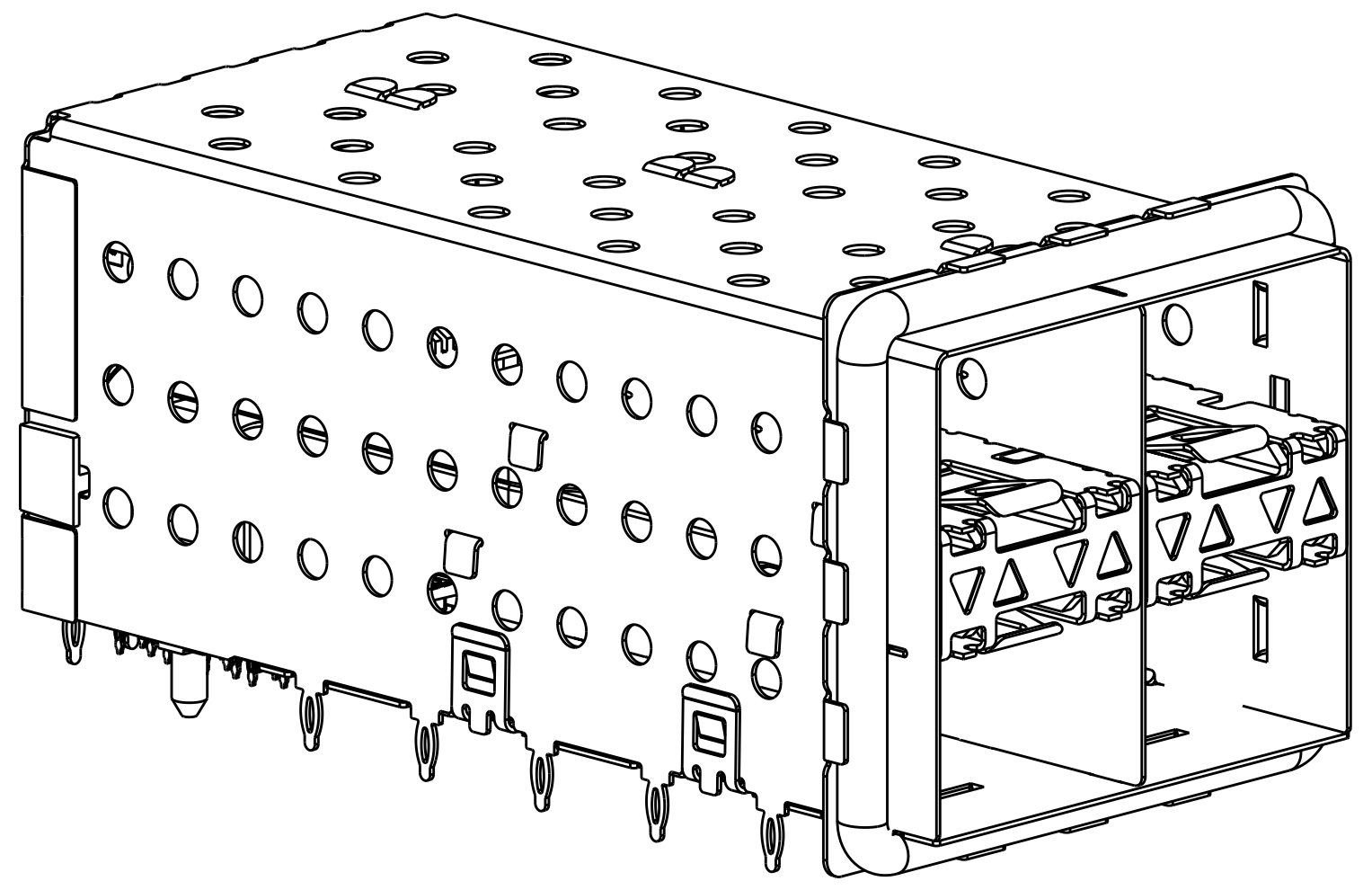


- 1 MATERIALS:  
 CAGE ASSEMBLY- NICKEL SILVER ALLOY PER ASTM B 122.  
 BRACKET- STAINLESS STEEL.  
 EMI GASKET- PLATED FILLED SILICONE.  
 HOUSING- BLACK LCP, UL 94V-0 RATED.  
 CHICKLET- BLACK LCP, UL 94V-0 RATED.  
 LIGHT PIPE- POLYCARBONATE, CLEAR, UL 94V-2 RATED.  
 INSERT - (FOR LIGHT PIPE PART NUMBERS ONLY) - PBT, BLACK, UL 94V-0.  
 CONTACT- COPPER ALLOY.
- 2 DATUM AND BASIC DIMENSIONS ESTABLISHED BY CUSTOMER.
3. MINIMUM PCB THICKNESS OF 1.5.
- 4 CONTACT FINISH- CONFORMS TO THE REQUIREMENTS OF TYCO ELECTRONICS PRODUCT SPECIFICATION 108-2331, BASED ON EIA/ECA-364-1000.01A, (CONTROLLED ENVIRONMENT APPLICATIONS) ON MATING INTERFACE, TIN-LEAD ON NEEDLE EYE.
- 5 CONTACT FINISH- CONFORMS TO THE REQUIREMENTS OF TYCO ELECTRONICS PRODUCT SPECIFICATION 108-2331, BASED ON EIA/ECA-364-1000.01A, (CONTROLLED ENVIRONMENT APPLICATIONS) ON MATING INTERFACE, TIN ON NEEDLE EYE.
- 6 FOR HOLE SIZE AND PLATINGS, SEE APPLICATION SPEC 114-13219.
- 7 THE ENTIRE AREA OF THE CONNECTOR FOOTPRINT, INDICATED BY THE DASHED LINE, TO BE CONSIDERED THE KEEPOUT AREA FOR COMPONENTS AND SIGNAL TRACES, TOP SIDE ONLY. TOP SIDE TRACES ALLOWED WITHIN CONNECTOR HOLE PATTERN.
- 8 LIGHT PIPE PAD LAYOUT IS FOR 0805 LOW PROFILE LED PACKAGE WITH A HEIGHT OF 0.8mm.

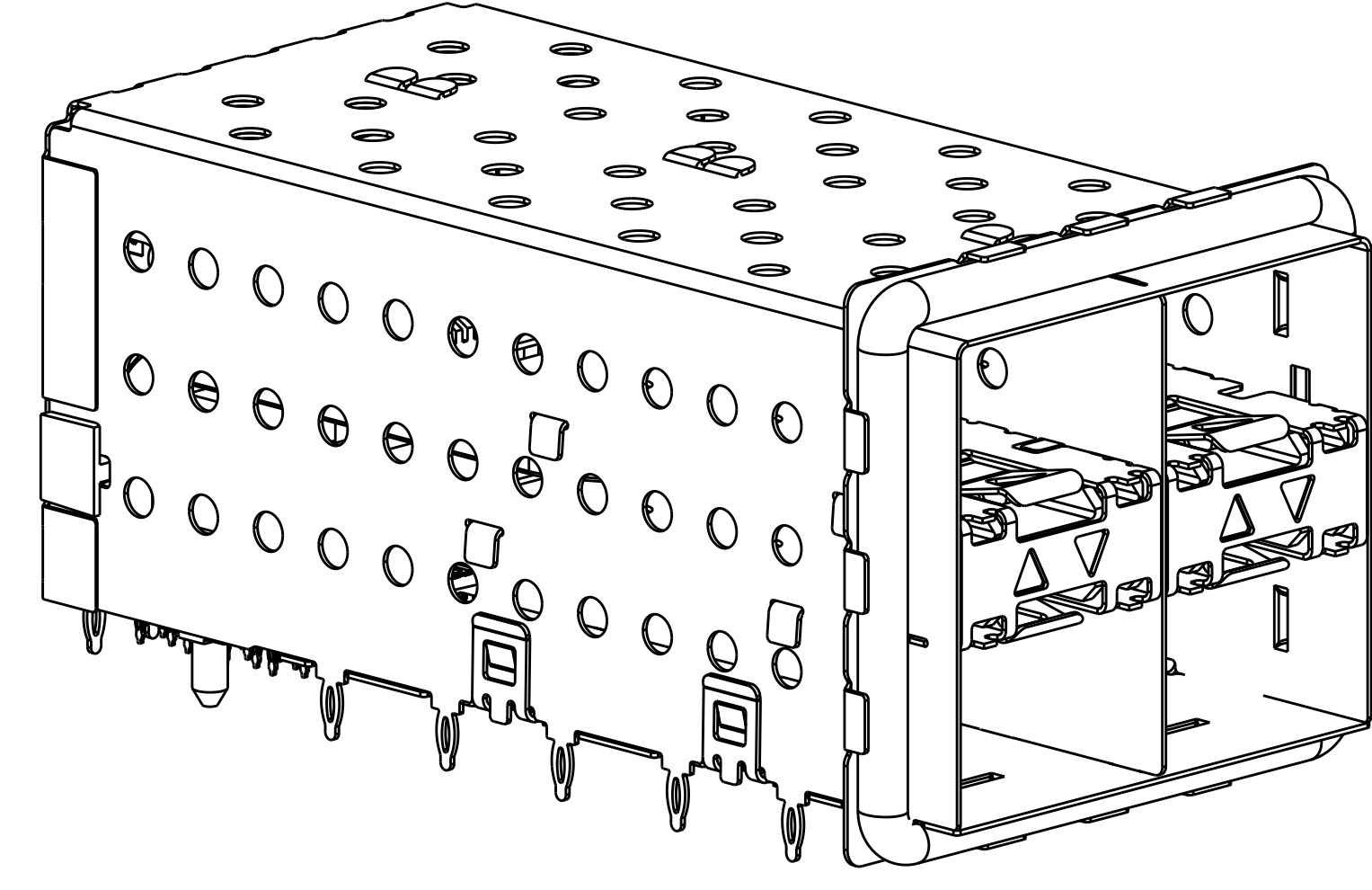
FINISH	DESCRIPTION	PART NUMBER
5	NO LIGHT PIPES	2007417-8
	OUTER 2 LIGHT PIPES	2007417-7
	INNER 2 LIGHT PIPES	2007417-6
4	4 LIGHT PIPES	2007417-5
	NO LIGHT PIPES	2007417-4
	OUTER 2 LIGHT PIPES	2007417-3
	INNER 2 LIGHT PIPES	2007417-2
	4 LIGHT PIPES	2007417-1

DIMENSIONS: mm 		TOLERANCES UNLESS OTHERWISE SPECIFIED: 0 PLC ±0.10 1 PLC ±0.10 2 PLC ±0.10 3 PLC ±0.10 4 PLC ±0.10 ANGLES ±°		DWN M. SHIRK 23OCT2007 CHK D. SZCZESNY 23OCT2007 APVD D. SZCZESNY 23OCT2007 PRODUCT SPEC 108-2331 APPLICATION SPEC 114-13219 WEIGHT - CUSTOMER DRAWING		Tyco Electronics Harrisburg, PA 17105-3608 NAME: CAGE AND PT CONNECTOR ASSEMBLY, WITH EMI GASKET, PRESS FIT, 2X2, STACKED SFP+ SIZE: CAGE CODE DRAWING NO: A100779 SCALE: 4:1 SHEET 1 OF 4 REV B	
-----------------------	--	--	--	--	--	--	--

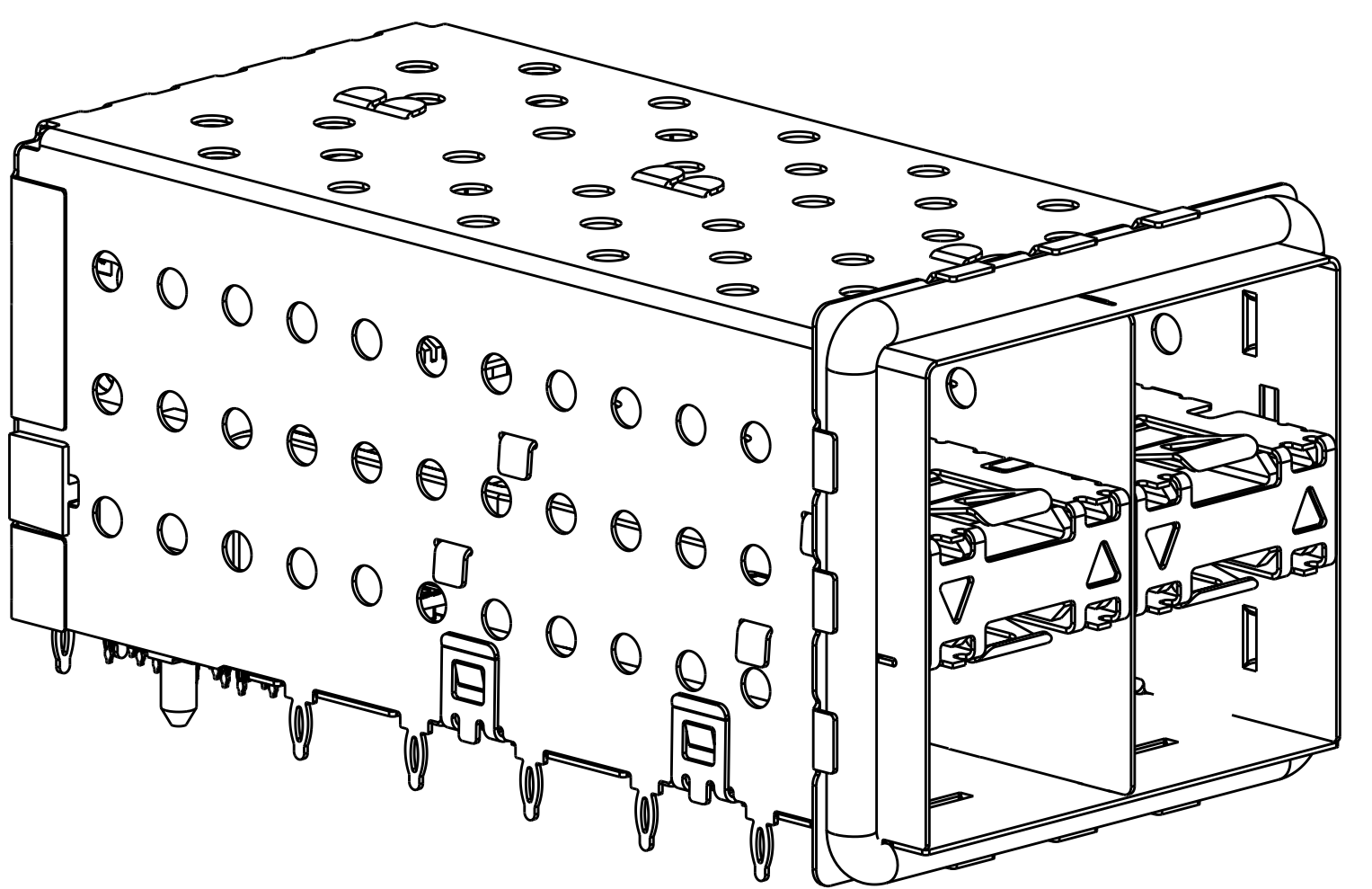
LOC	DIST	REVISIONS					
GP	00	P	LTB	DESCRIPTION	DATE	DWN	APVD
		-	-	SEE SHEET 1	-	-	-



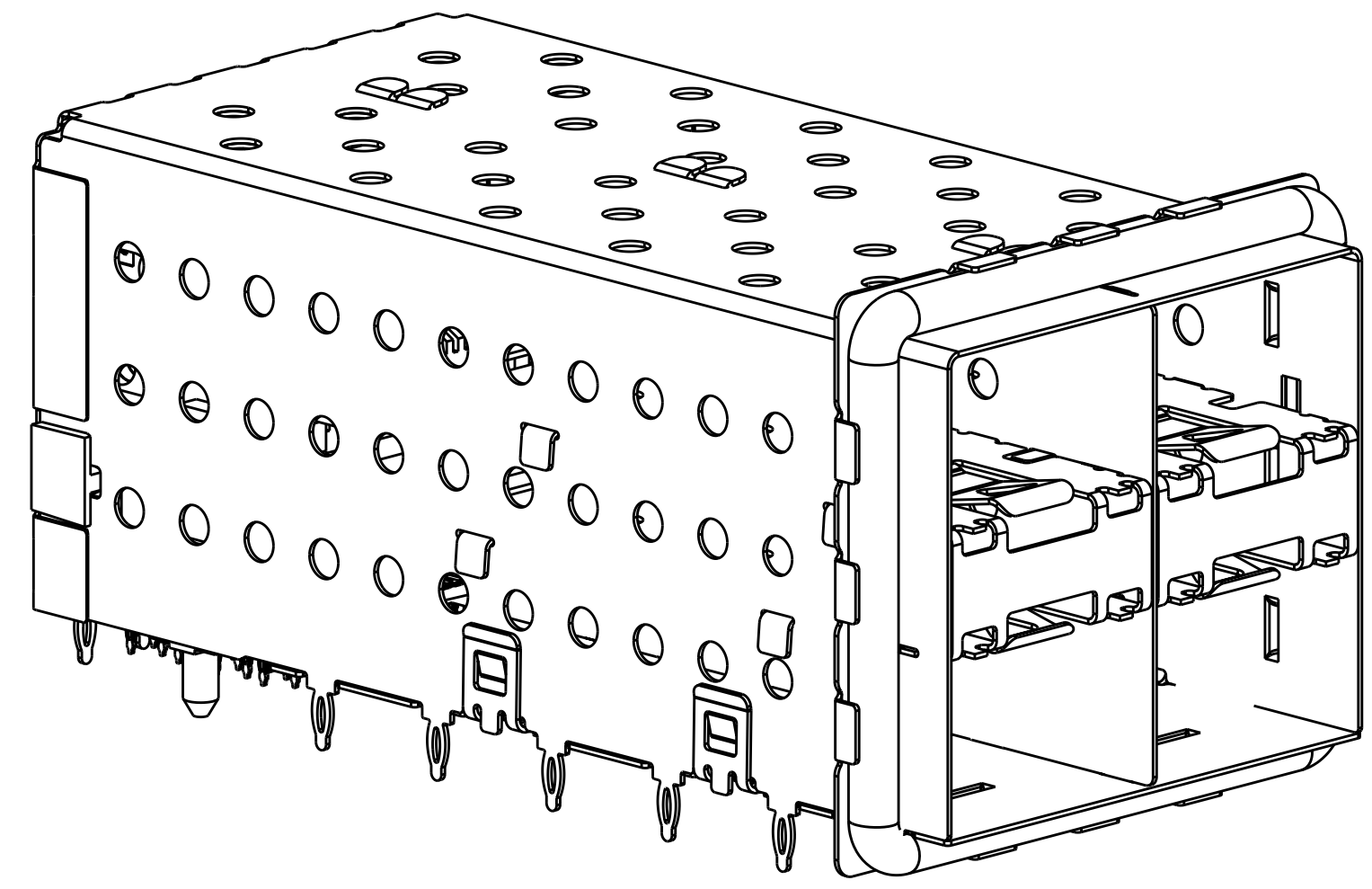
2007417-1 AND 2007417-5  
 SCALE 3:1



2007417-2 AND 2007417-6  
 SCALE 3:1



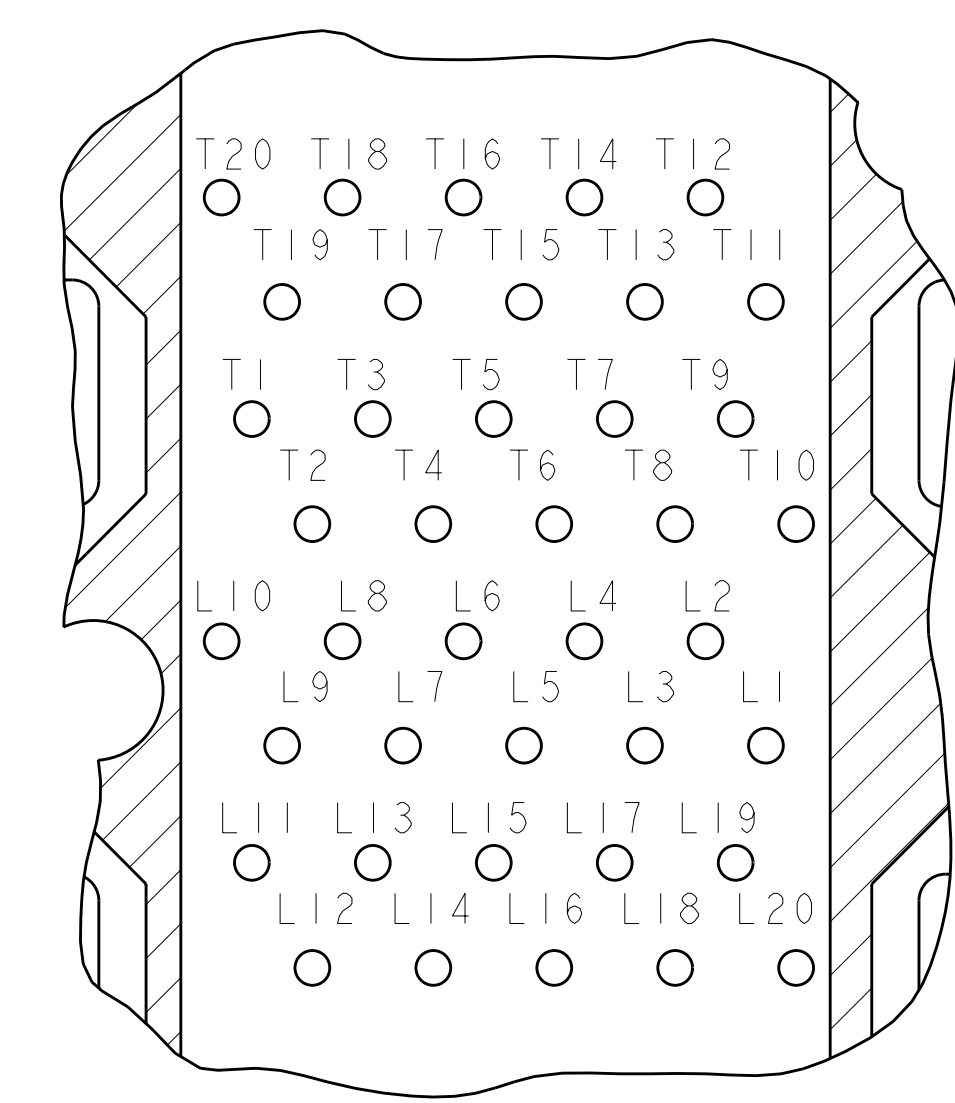
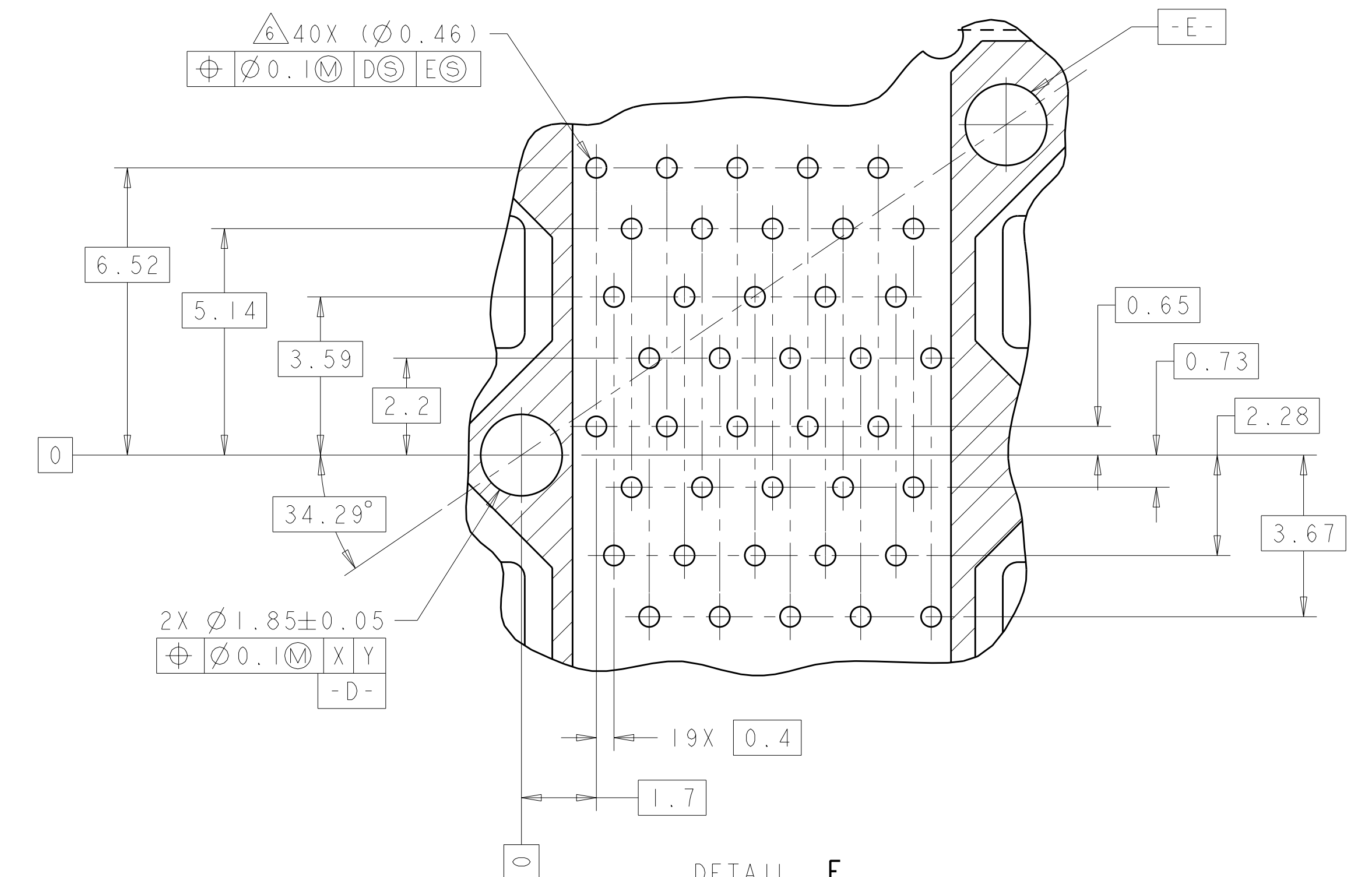
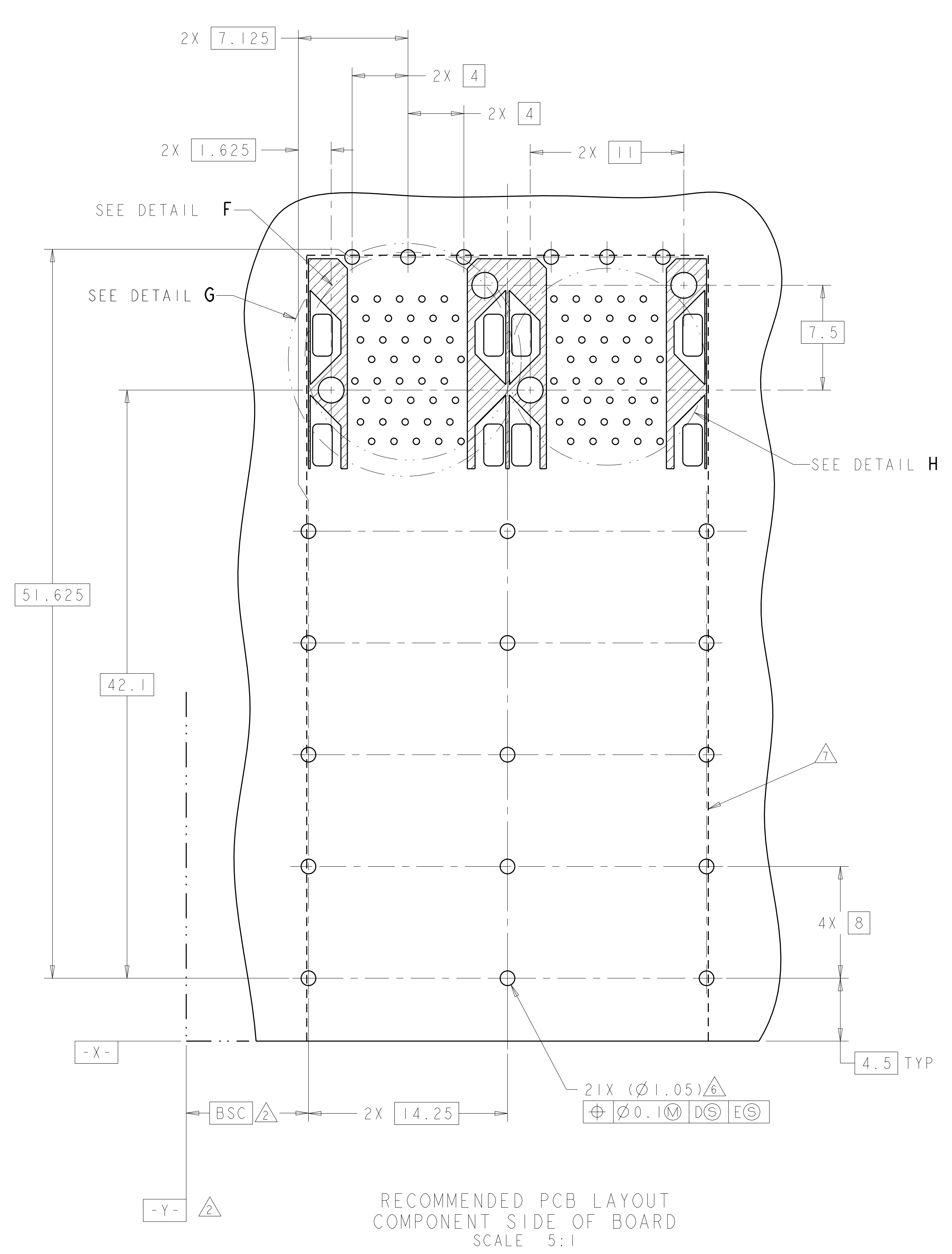
2007417-3 AND 2007417-7  
 SCALE 3:1



2007417-4 AND 2007417-8  
 SCALE 3:1

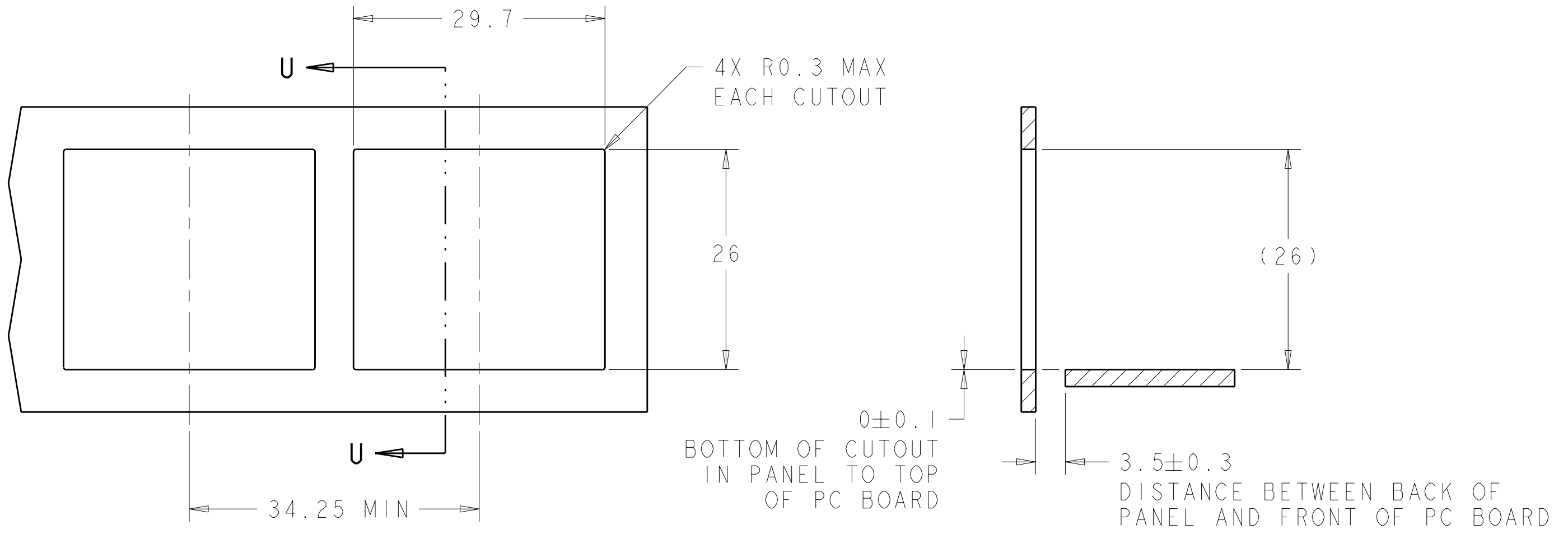
<small>THIS DRAWING IS UNPUBLISHED. RELEASED FOR PUBLICATION 2007. ALL RIGHTS RESERVED. © 2007 TYCO ELECTRONICS CORPORATION. THIS DRAWING IS UNPUBLISHED. RELEASED FOR PUBLICATION 2007. ALL RIGHTS RESERVED. © 2007 TYCO ELECTRONICS CORPORATION.</small>		DWN M. SHIRK 23OCT2007 CHK D. SZCZESNY 23OCT2007 APVD D. SZCZESNY 23OCT2007	Tyco Electronics Harrisburg, PA 17105-3608
DIMENSIONS: mm 	TOLERANCES UNLESS OTHERWISE SPECIFIED: 9 PLC ±0.10 1 PLC ±0.10 5 PLC ±0.10 4 PLC ±0.10 ANGLES ±°	PRODUCT SPEC 108-2331 APPLICATION SPEC 114-13219	NAME CAGE AND PT CONNECTOR ASSEMBLY, WITH EMI GASKET, PRESS FIT, 2X2, STACKED SFP+
MATERIAL	FINISH	WEIGHT - CUSTOMER DRAWING	SIZE CAGE CODE DRAWING NO RESTRICTED TO A 100779 C=2007417 SCALE 4:1 SHEET 2 OF 4 REV B

LOC	DIST	REV	DATE	BY	APPD
GP	00				
REVISIONS					

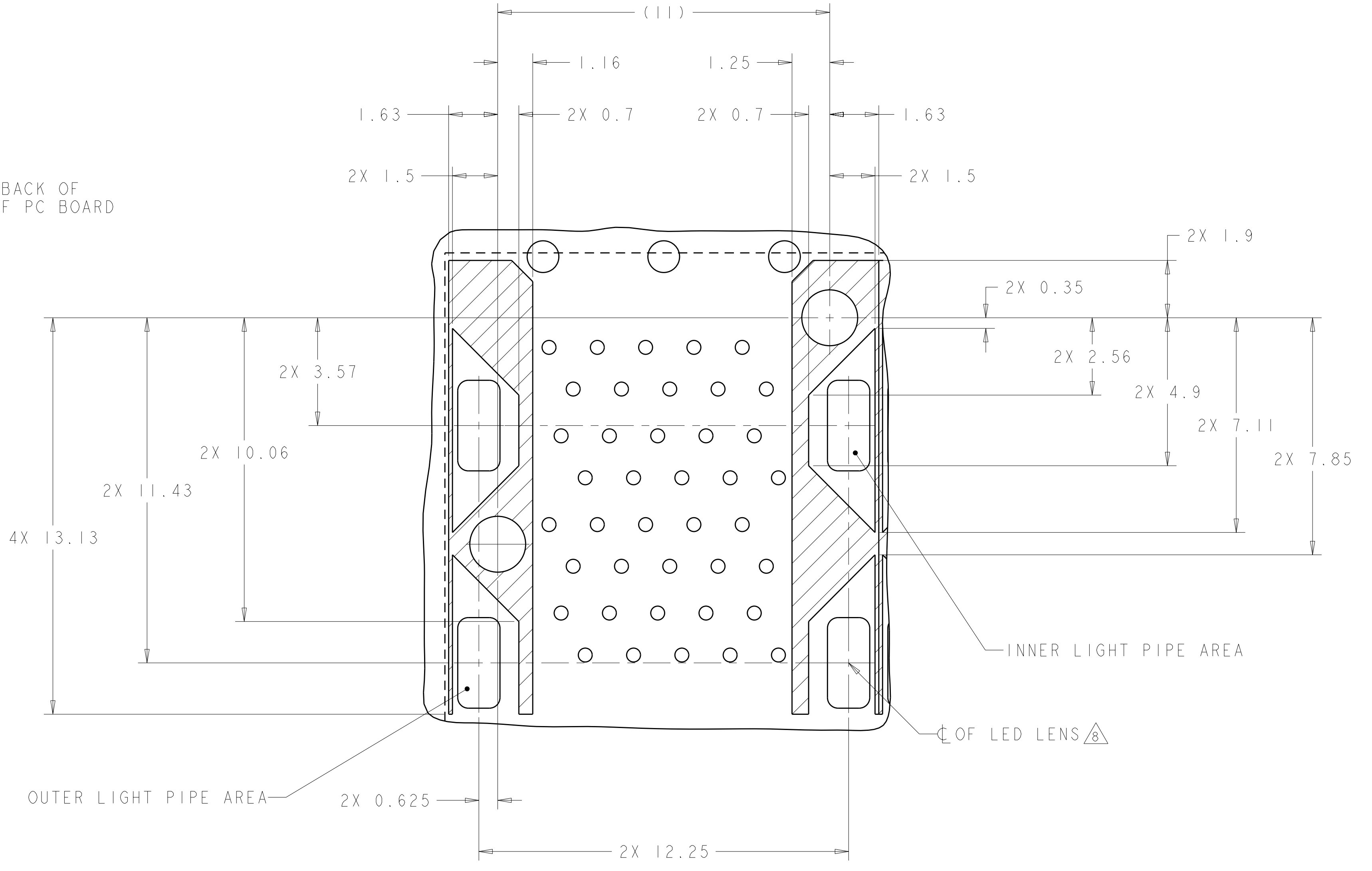


DIMENSIONS: mm 		TOLERANCES UNLESS OTHERWISE SPECIFIED: 9 PLC ±0.10 1 PLC ±0.10 5 PLC ±0.10 4 PLC ± ANGLES ±°		DWN M. SHIRK 23OCT2007 CHK D. SZCZESNY 23OCT2007 APVD D. SZCZESNY 23OCT2007 PRODUCT SPEC 108-2331 APPLICATION SPEC 114-13219 WEIGHT CUSTOMER DRAWING		Tyco Electronics Harrisburg, PA 17105-3608 NAME CAGE AND PT CONNECTOR ASSEMBLY, WITH EMI GASKET, PRESS FIT, 2X2, STACKED SFP+ SIZE CAGE CODE DRAWING NO. RESTRICTED TO A1100779C=2007417	
SCALE 4:1		SHEET 3 OF 4		REV B			

LOC	DIST	REV	DATE	BY	APPD
GP	00				
REVISIONS					



RECOMMENDED PANEL CUTOUT AND PC BOARD, PANEL POSITION  
 SCALE 2:1



DETAIL G  
 CONNECTOR HOUSING  
 KEEPOUT ZONE  
 2X INDIVIDUALLY  
 SCALE 10:1

<small>THIS DRAWING IS UNPUBLISHED. RELEASED FOR PUBLICATION BY TYCO ELECTRONICS CORPORATION. IT IS SUBJECT TO CHANGE WITHOUT NOTICE AND WITHOUT OBLIGATION. SHOULD BE CONTACTED FOR THE LATEST REVISION.</small>		DWN M. SHIRK 23OCT2007 CHK D. SZCZESNY 23OCT2007 APVD D. SZCZESNY 23OCT2007	Tyco Electronics Harrisburg, PA 17105-3608
DIMENSIONS: mm 	TOLERANCES UNLESS OTHERWISE SPECIFIED: 9 PLC ±0.10 1 PLC ±0.10 2 PLC ±0.10 3 PLC ±0.10 4 PLC ± ANGLES ±° FINISH	NAME PRODUCT SPEC APPLICATION SPEC 114-13219 WEIGHT CUSTOMER DRAWING	NAME CAGE AND PT CONNECTOR ASSEMBLY, WITH EMI GASKET, PRESS FIT, 2X2, STACKED SFP+ SIZE CAGE CODE DRAWING NO A1100779C=2007417 RESTRICTED TO SCALE 4:1 SHEET 4 OF 4 REV B