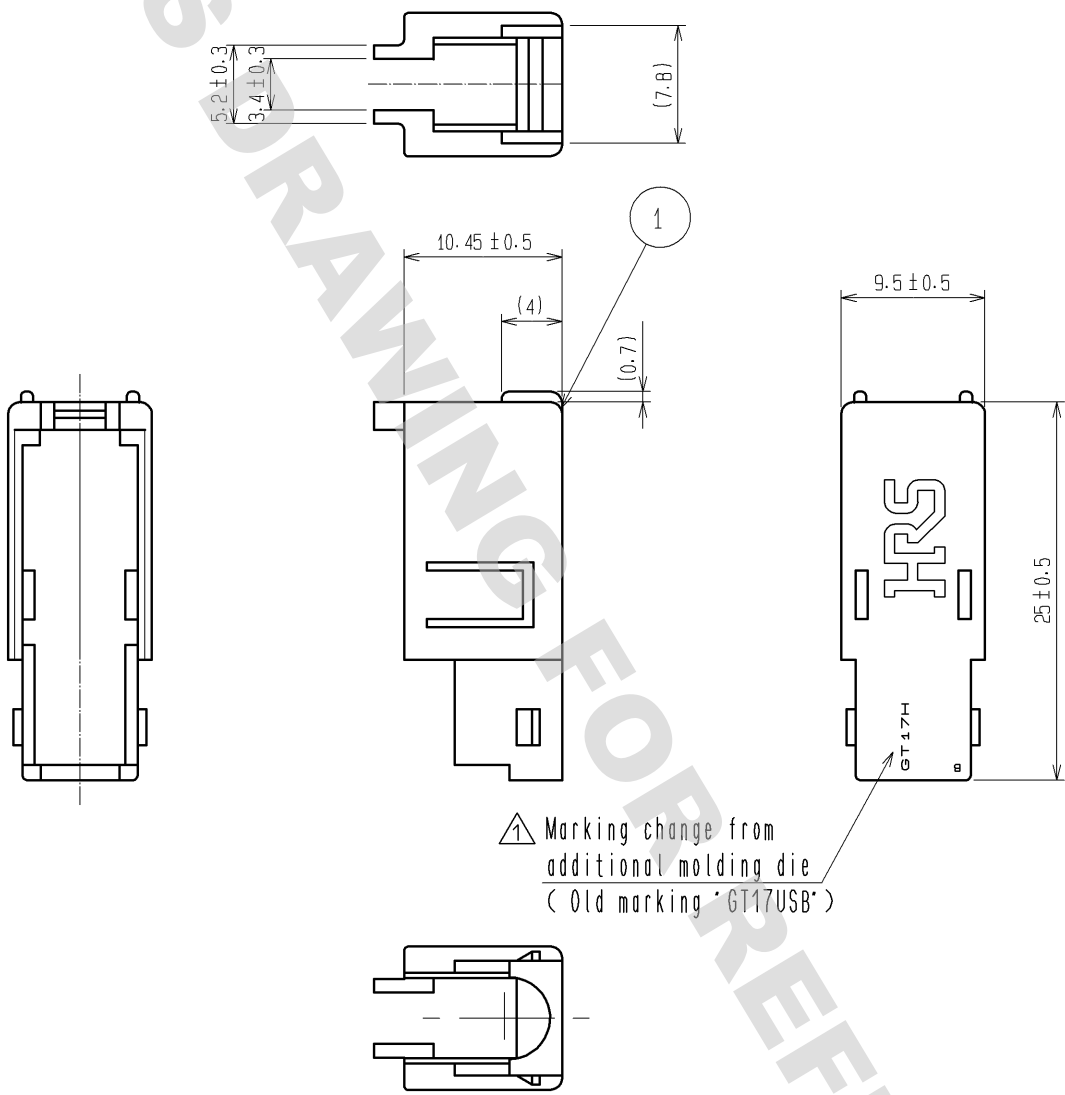


ELV. RoHS compliant



△ Marking change from additional molding die (Old marking 'GT17USB')

DRAWING FOR REFERENCE: This is subject to change without notice 08/11/2012

1	PBT	DARK GRAY						
NO.	MATERIAL	FINISH	REMARKS	NO.	MATERIAL	FINISH	REMARKS	
UNITS mm		SCALE 2 : 1	COUNT 1	DESCRIPTION OF REVISIONS DIS-T-001563		DESIGNED NA. HARUBAYASHI	CHECKED AR. SHIRAI	DATE 10.02.03
HIROSE ELECTRIC CO., LTD.		APPROVED : KS. SATOH	05.01.05	DRAWING NO.		EDC4-166356-00		
		CHECKED : NH. NAKATA	05.01.05	PART NO.		GT17H-4S-HU		
		DESIGNED : NA. HARUBAYASHI	05.01.05	CODE NO.		CL767-0085-9-00		
		DRAWN : TK. SHISHIKURA	05.01.05			1/1		