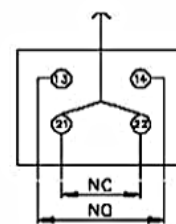
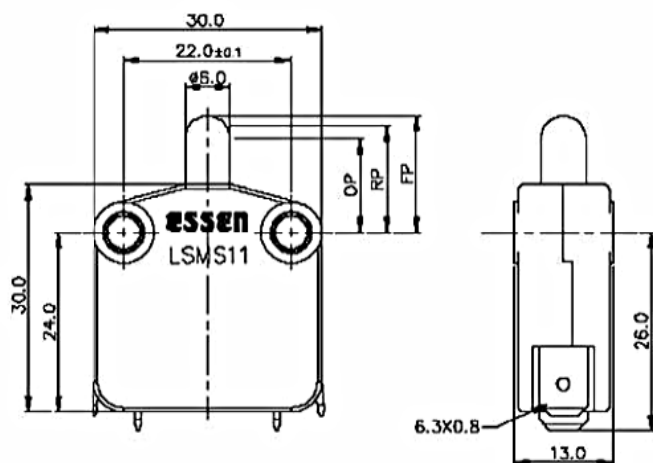


Characteristics

- ★ Contact arrangement 1 NO + 1NC.
- ★ Snap action operation.
- ★ Long overtravel plunger.
- ★ Suitable for applications where space is a limitation.
- ★ Suited for door interlocking & automatic control functions.
- ★ Conform to IEC 60947-5-1 standard.



Circuit diagram

Actuating Force Maximum grams	Free Position Maximum (FP) mm	Operating Position (OP) mm	Resetting Position (RP) mm
600	15.3	12.3±0.5	14±0.5

Specifications

Rated operational current (Ie) : AC15 6A, AT 24V - 400V, 50Hz
 DC13 10A, at 24V DC
 5A, at 48V DC
 1.5A, at 110 DC
 0.6A, at 230V DC

Thermal current : 16A
 Dielectric strength : 2.0 KV AC
 Mechanical life : 1 x 10⁶ Operations
 Electrical life : 1 x 10⁶ Operations
 Ambient temperature : -20°C to +85°C
 Degree of protection : IP40 (enclosure)
 Mounting : Screw mounting

Materials

Housing : Fire retardant thermoplastic UL94 V-0
 Plunger : Fire retardant thermoplastic UL94 V-0
 Terminals: 6.3mm faston (quick connect) - Brass
 Contacts : Silver