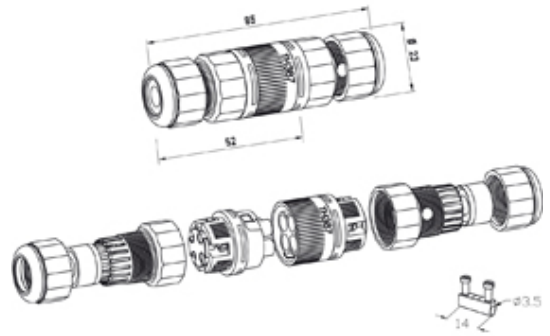


THB.387.C2A

TeePlug Panel mount 2 pole Screw terminal with male contacts 7mm to 12mm cable diameter, 4 mm max conductor size IP68 17.5A 450V 1 cable entry



SPECIFICATION

| | |
|-----------------------------|-------|
| Cable Entries | 1 |
| Number of Poles | 2 |
| Terminal Type | Screw |
| Body Material | PA66 |
| Max Conductor Size (Sq mm) | 4 |
| Max Current (A) | 17.5 |
| Max Voltage (V) | 450 |
| Minimum Temp Rating °C | -40 |
| IP Rating | 68 |
| Max Temp Rating °C | 125 |
| Fixing System | Cable |
| Maximum Cable Diameter (mm) | 12 |
| Minimum Cable Diameter (mm) | 7 |
| Temperature "T" Rating | T125 |